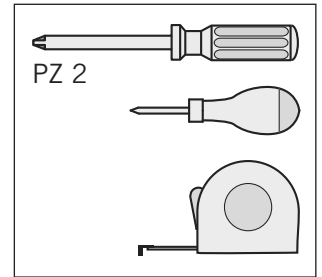
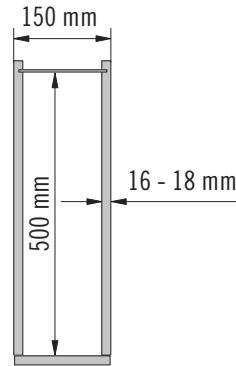
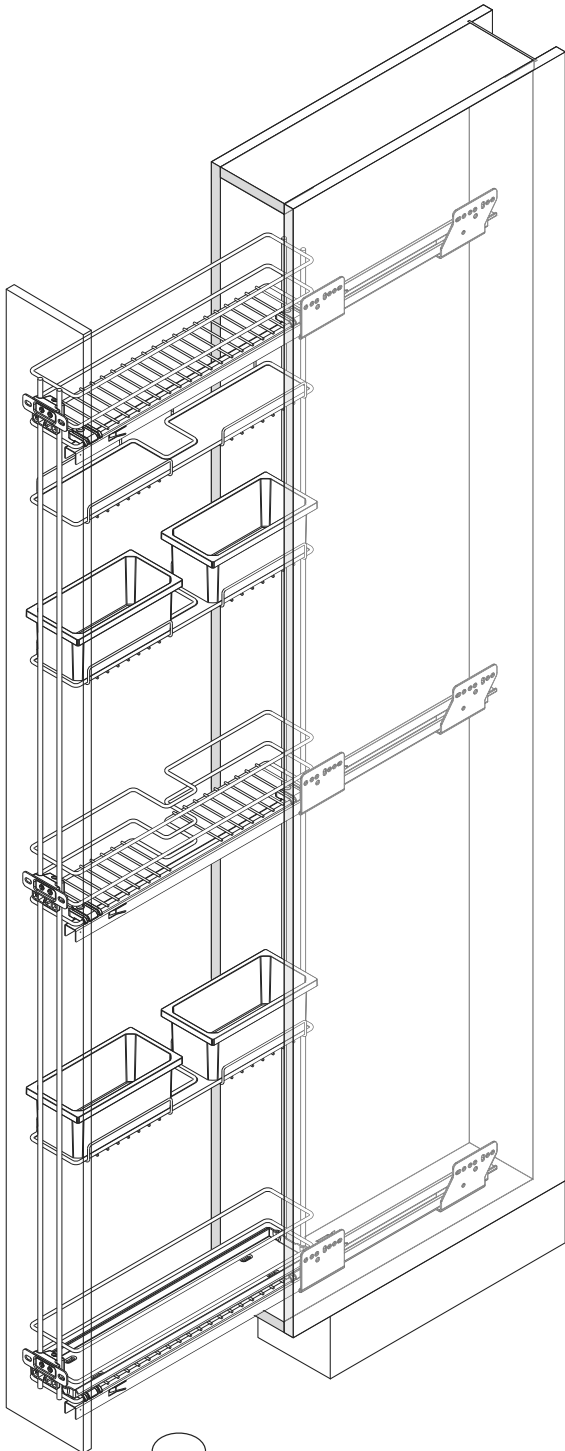



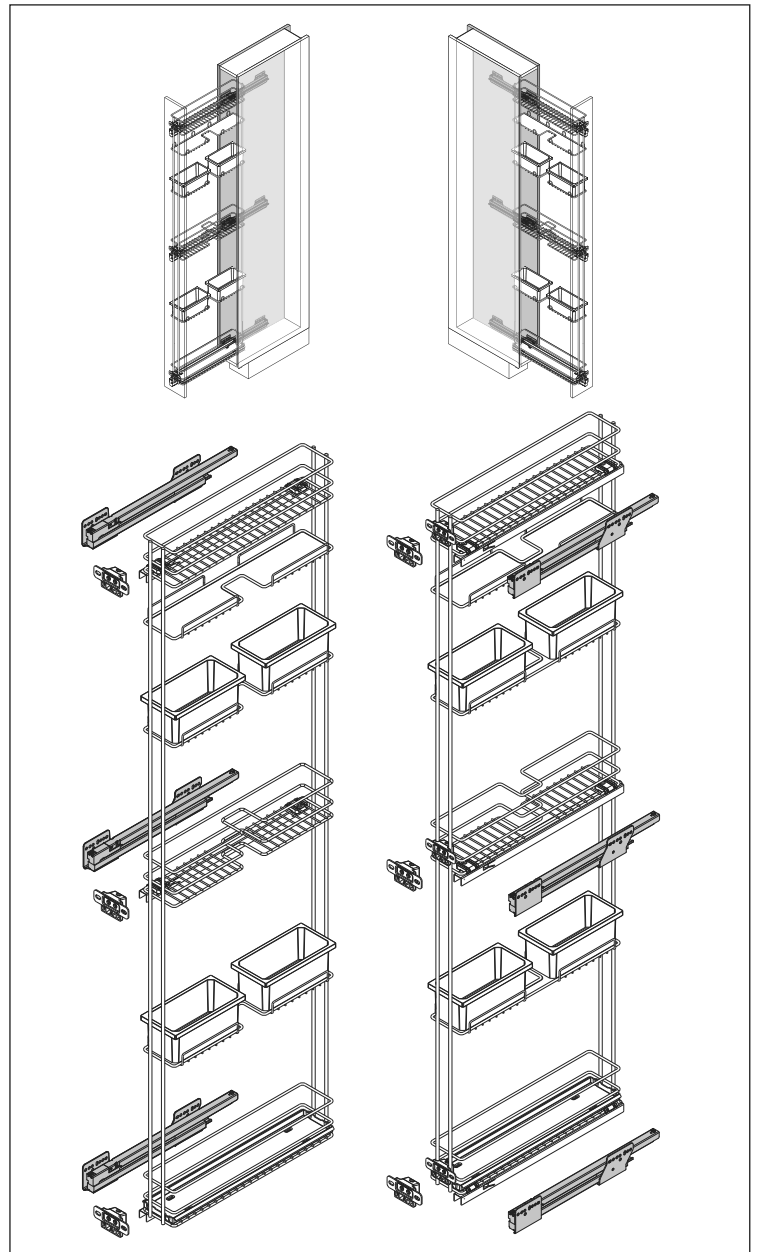
07 / 2019



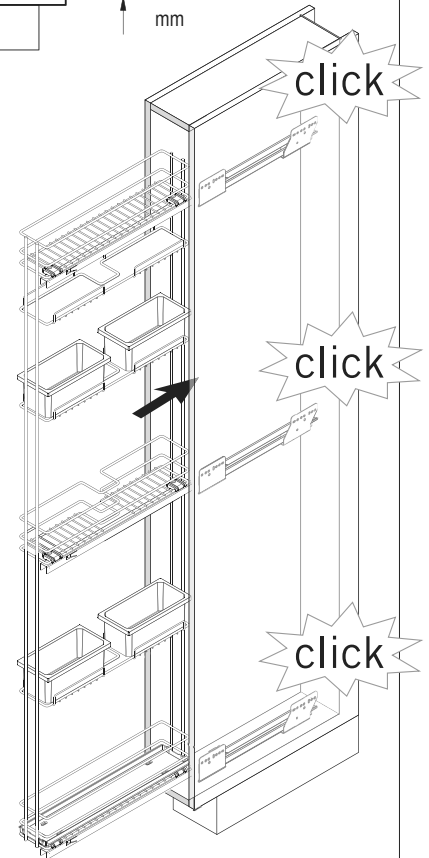
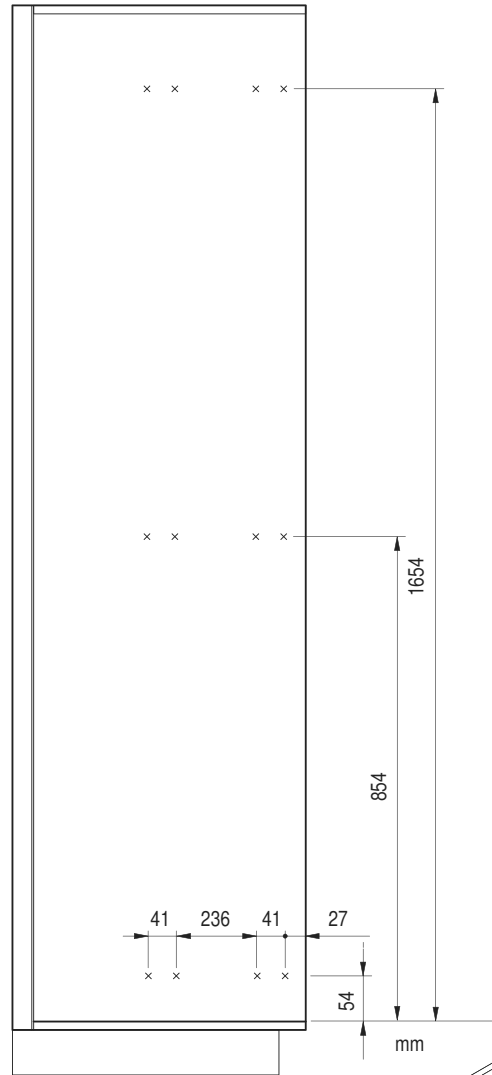
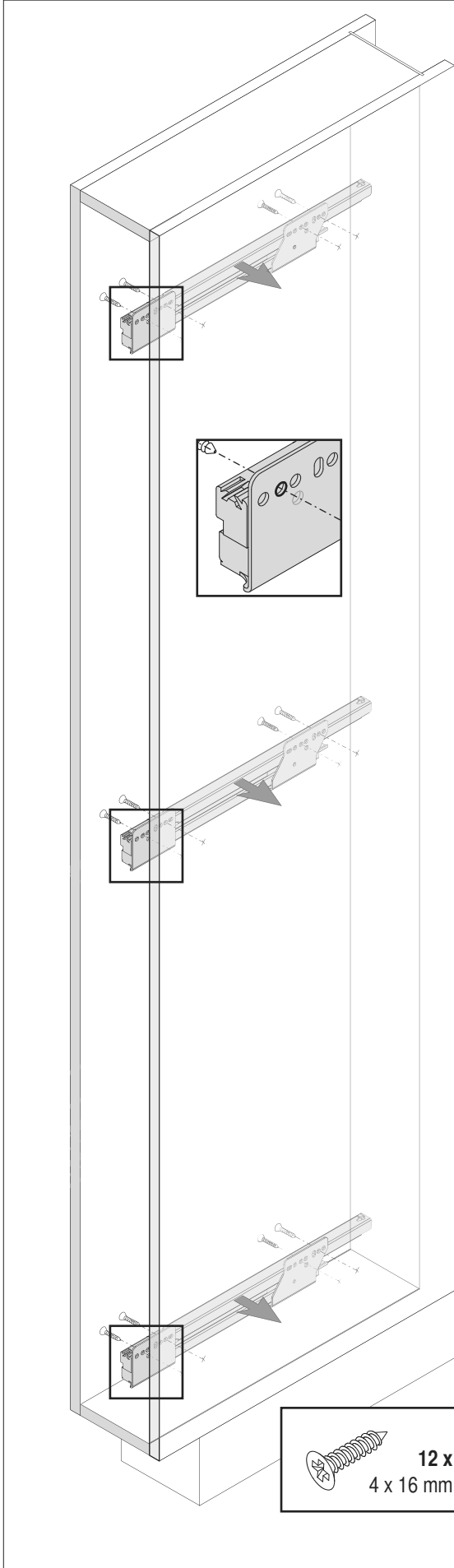
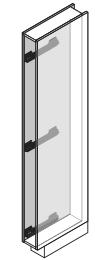
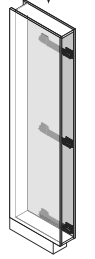
VS TAL[®] Broom15



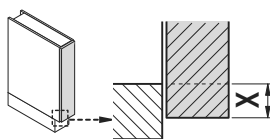
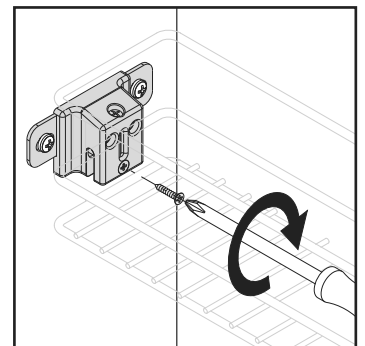
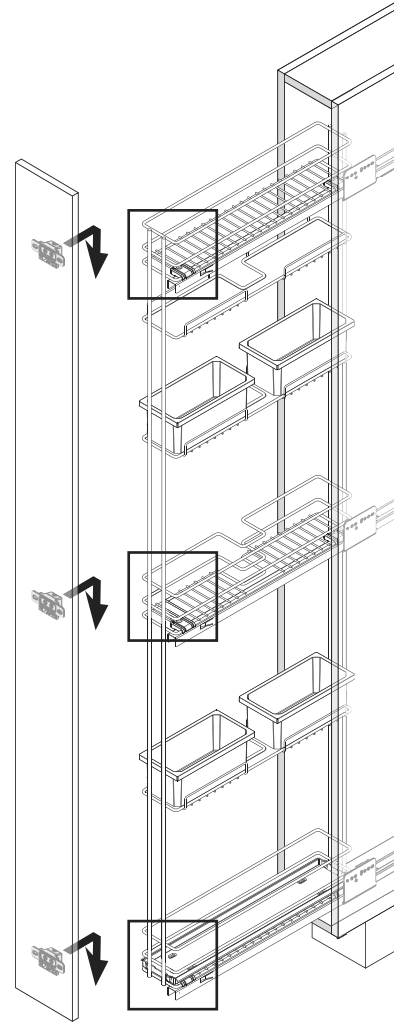
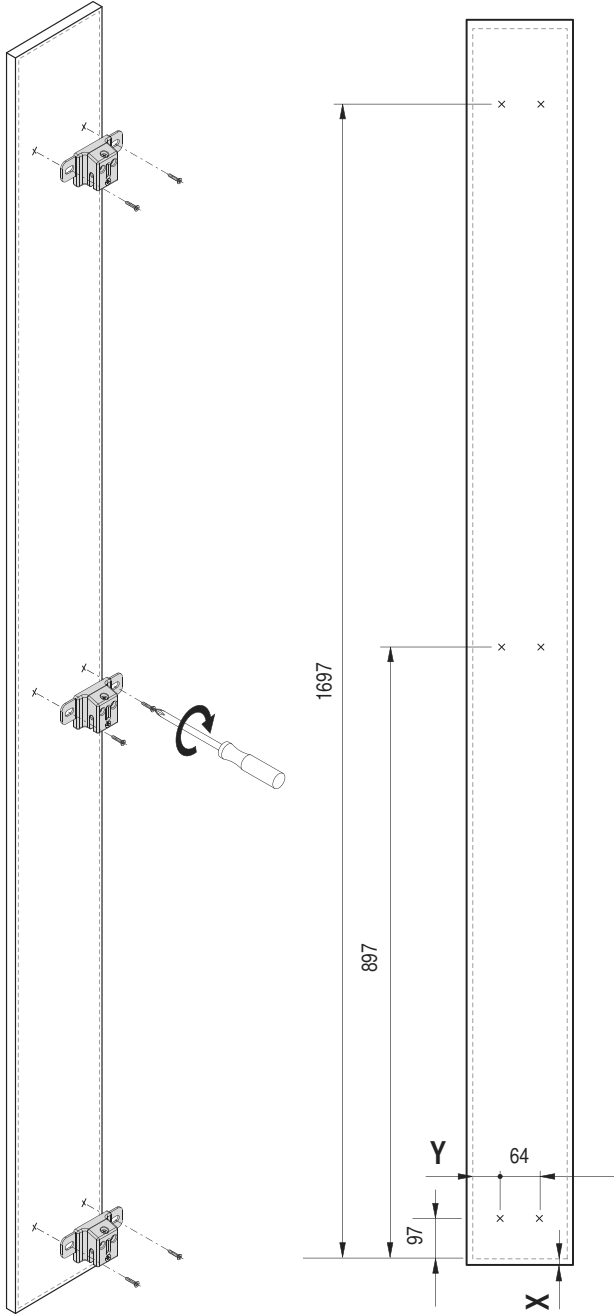
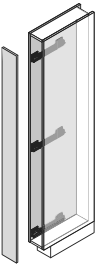
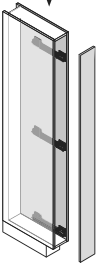
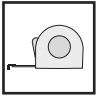
 = max. 25 kg



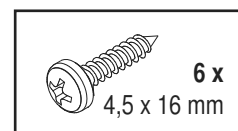
1



2



	K150	K200
Y	25	50
	mm	



3

