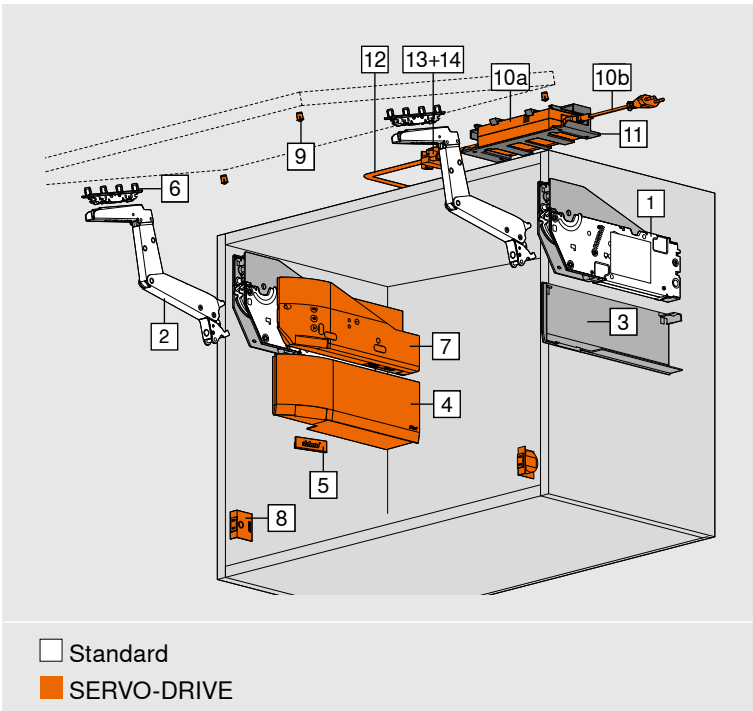


# AVENTOS HS top

Technical data sheet





- Ideal for large, one-part fronts
- Cabinet height 350-800 mm
- Cabinet width up to 1800 mm
- Internal depth of at least 264 mm
- Integrated BLUMOTION setting
- SERVO-DRIVE electrical motion support system
- Light operating forces
- Variable stop
- Standardised position of the lift mechanism and front fixing bracket
- Symmetrical lift mechanism and lever arm
- Tool-free assembly
- Two lift mechanism fixing methods
- 3-dimensional adjustment of the front

### Ordering information

#### Note

We recommend the more powerful lift mechanism for applications in overlapping ranges. A trial application is recommended when you are in a borderline area of the individual lift mechanism.

The front weight (FG) can be increased by 50% if you use a third lift mechanism. We recommend a third lift mechanism for wide cabinets. This will prevent the front from sagging when open.

1	<input type="checkbox"/>	<input checked="" type="checkbox"/>	Lift mechanism
	Fixing with pre-mounted system screws		
	KH (mm)	FG (kg)	2 x
	350-450	2.00-11.50	<b>22S2211</b>
	450-540	2.50-12.50	<b>22S2511</b>
	650-800	3.50-18.50	<b>22S2811</b>
KH Cabinet height			
FG Front weight including handle weight			
Symmetrical lift mechanism			
Incl. pre-mounted system screws			

1	<input type="checkbox"/>	<input checked="" type="checkbox"/>	Lift mechanism
	Fixing with chipboard screws with positioning system		
	KH (mm)	FG (kg)	2 x
	350-450	2.00-11.50	<b>22S2201</b>
	450-540	2.50-12.50	<b>22S2501</b>
	650-800	3.50-18.50	<b>22S2801</b>
KH Cabinet height			
FG Front weight including handle weight			
Symmetrical lift mechanism			
Incl. positioning system			

Ordering information

2		<b>Lever arm</b>		
		<b>Colour</b>	<b>Material</b>	<b>2 x</b>
		NI	Steel	<b>22S3501</b>

Symmetrical lever arm

3		<b>Cover cap right</b>		
		<b>Colour</b>	<b>Material</b>	
		SW, HGR, TGR	Nylon	<b>22.8001</b>

-		<b>Cover cap left</b>		
		<b>Colour</b>	<b>Material</b>	
		SW, HGR, TGR	Nylon	<b>22.8001</b>

4		<b>SERVO-DRIVE cover cap left</b>		
		<b>Colour</b>	<b>Material</b>	
		SW, HGR, TGR	Nylon	<b>23.8001</b>

5		<b>Branding element</b>		
		<b>Material</b>	<b>Colour</b>	
		Nylon	SW-M, TGR	IN-G
	Printed *	2 x	<b>ABD.1000.BL</b>	<b>ABD.1009.BL</b>
	Embossed *	2 x	<b>ABD.1000.BT</b>	<b>ABD.1009.BT</b>
	Plain	2 x	<b>ABD.1000</b>	<b>ABD.1009</b>
* With Blum logo				
<b>From 1000 pcs:</b>				
Customised, printed branding element				
<b>From 5000 pcs:</b>				
Customised, embossed branding element				

6		<b>Front fixing bracket</b>		
		<b>Version</b>	<b>Fixing method</b>	<b>2x</b>
		Wooden fronts and wide aluminium frames	Screw-on <sup>1</sup>	<b>20S4201</b>
			EXPANDO	<b>20S42E1</b>
	Knock-in	<b>20S4231</b>		

<sup>1</sup> Use 4 chipboard screws (609.1x00) per side for wooden fronts.  
Use 4 countersunk self-tapping screws (660.0950) per side for wide aluminium frames.

6		<b>Front fixing bracket</b>		
		<b>Version</b>	<b>Fixing method</b>	<b>2x</b>
		Narrow aluminium frames	Screw-on <sup>2</sup>	<b>20S4201A</b>

<sup>2</sup> Incl. 4 x countersunk self-tapping screws – 660.0950

6		<b>Front fixing bracket</b>		
		<b>Version</b>	<b>Fixing method</b>	<b>2x</b>
		Thin fronts	EXPANDO T	<b>20S42T1</b>

7		<b>Drive unit</b>		
		<b>Colour</b>	<b>Material</b>	
		TGR	Nylon	<b>23.A001</b>

For three lift mechanisms or more, we recommend two synchronised drive units

We recommend one drive unit per set for connected fronts.

8		<b>SERVO-DRIVE switch</b>		
		<b>Colour</b>	<b>Material</b>	<b>2 x</b>
		SW, HGR, TGR	Nylon	<b>23P5020</b>

Incl. battery

9		<b>Blum distance bumper</b>			
		<b>Colour</b>	<b>Material</b>	<b>4 x</b>	
		R7037	Nylon		
		Ø 5 mm		4 x	<b>993.0530</b>
		Ø 8 mm		4 x	<b>993.0830.01</b>

Colours and material

Name	
SW	Silk white
HGR	Light grey
TGR	Dark grey
R7037	RAL 7037 dust grey
SW-M	Silk white matt
IN-G	In-mould brushed stainless steel
NI	Nickel plated

Ordering information

10 <b>SERVO-DRIVE power supply unit incl. flex</b>					
Market	Language package		Market	Language package	
E	A	Z10NE04EA	I	A	Z10NE04IA
E	B	Z10NE04EB	K	I	Z10NE04KI
E	C	Z10NE04EC	N	H	Z10NE04NH
E	D	Z10NE04ED	R	H	Z10NE04RH
E	E	Z10NE04EE	S	K	Z10NE04SK
E	F	Z10NE04EF	T	H	Z10NE04TH
E	I	Z10NE04EI	U	G	Z10NE04UG
B	A	Z10NE04BA	U	J	Z10NE04UJ
B	I	Z10NE04BI	Z	I	Z10NE04ZI
H	I	Z10NE04HI			
<b>Consisting of:</b>					
10a	1 x	SERVO-DRIVE power supply unit Incl. operating and installation instructions			
10b	1 x	Flex Length 1.5–1.8 m, incl. plug			

11 <b>Power supply unit housing</b>			
		Colour	Material
		WGR	Nylon
			Z10NG120
For SERVO-DRIVE power supply unit			

- <b>SERVO-DRIVE plug-in power supply unit</b>					
Only suitable for one drive unit					
Market	Language package		Market	Language package	
E	A	Z10NA40EA	E	F	Z10NA40EF
E	B	Z10NA40EB	B	A	Z10NA40BA
E	C	Z10NA40EC	K	I	Z10NA40KI
E	D	Z10NA40ED	N	H	Z10NA40NH
E	E	Z10NA40EE	U	G	Z10NA40UG
Item available on request					
<b>Consisting of:</b>					
-	1 x	SERVO-DRIVE plug-in power supply unit Incl. cable, 1120 mm (with SERVO-DRIVE distribution cable extendible to max. 2000 mm) Incl. operating and installation instructions			

Accessories

12 <b>SERVO-DRIVE distribution cable</b>			
		Colour	Length (m)
		SZ	6
		SZ	100
			Z10K600A
			Z10K1HMA
For cutting to size			
13 <b>Connecting node</b>			
		Colour	Material
		SZ	Nylon
			Z10V1000.01
14 <b>Cable end protector</b>			
		Colour	Material
		R7037	Nylon
			Z10K0008
- <b>Cable holder</b>			
		Colour	Material
		WS	Nylon
			Z10K0009
E.g. for fixing the SERVO-DRIVE distribution cable			
- <b>SERVO-DRIVE switch attachment</b>			
		Colour	Material
		SW, HGR, TGR	Nylon
			2 x Z10P5216
For attaching the SERVO-DRIVE switch to the cabinet side without milling			

Markets and language packages

Name			
Markets		Language packages*	
E	Europa	A	DE, EN, FR, IT, NL
B	UK	B	DA, EN, FI, NO, SV
H	IN	C	EL, EN, HR, SR, SL, TR
I	IL	D	EN, ES, FR, IT, PT
K	AU	E	CS, HU, PL, SK
N	CN	F	BG, ET, LV, LT, RO, RU, UK
R	KR	G	EN, ES, FR
S	BR	H	EN, ZH, KO
T	TW	I	EN
U	US   CA   JP	J	JA
Z	ZA	K	EN, ES, PT

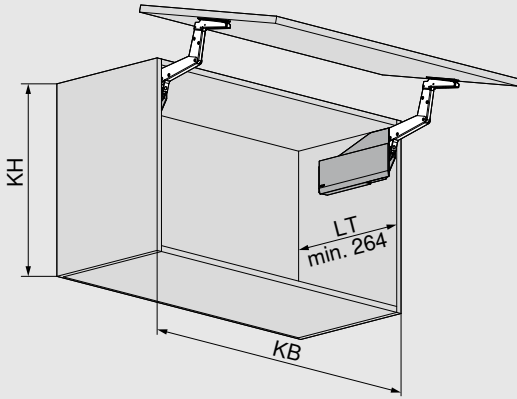
\* Language descriptions as per ISO-639

Colours and material

Name			
WS	White	TGR	Dark grey
SW	Silk white	SZ	Black
WGR	White grey	R7037	RAL 7037 dust grey
HGR	Light grey		

Planning

Wooden fronts and wide aluminium frames

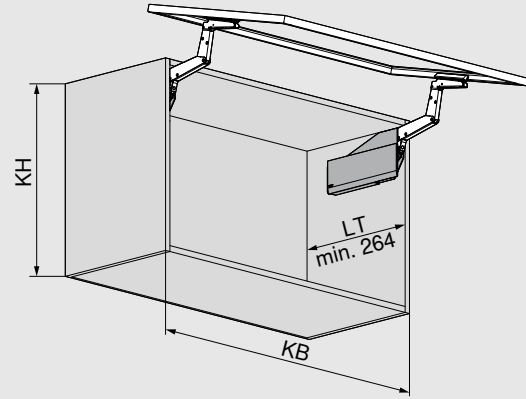


KB Cabinet width

KH Cabinet height

LT Internal cabinet depth

Narrow aluminium frames



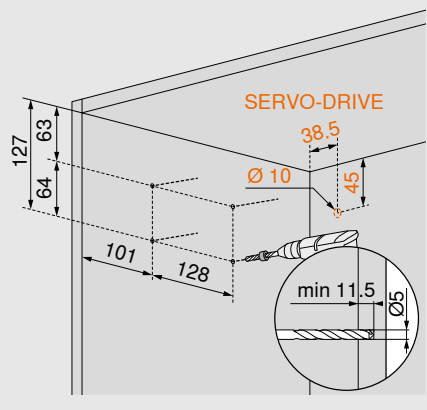
KB Cabinet width

KH Cabinet height

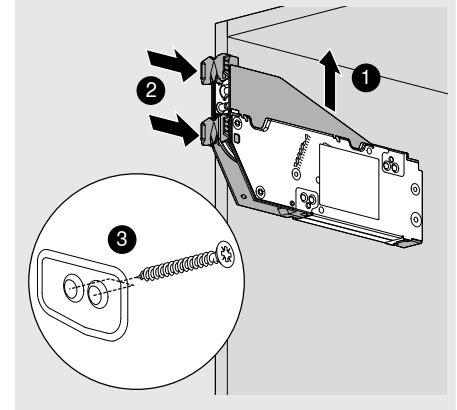
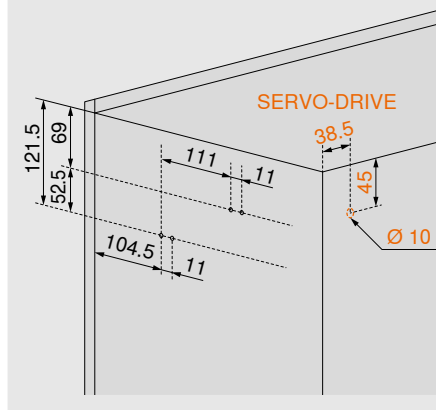
LT Internal cabinet depth

Drilling position

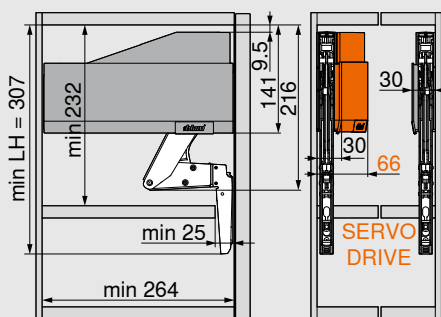
System screws



Chipboard screws incl. positioning system

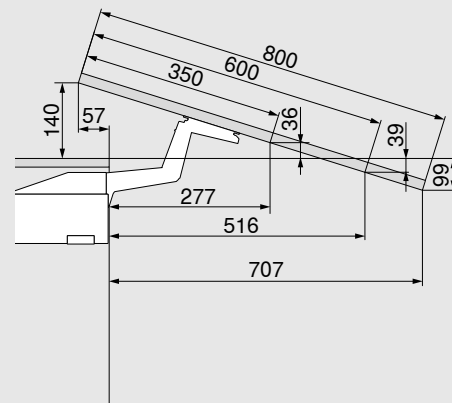


Space requirement



LH Internal cabinet height

Front setting

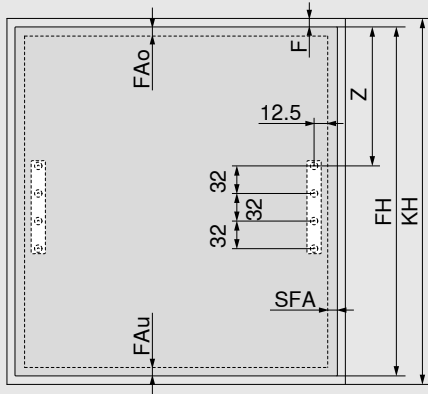


Dimensions depend on tilt adjustment

Planning

Front assembly

Wooden fronts and wide aluminium frames



FAo Upper front overlay

FAu Bottom front overlay

F Gap

Z 195 + FAo

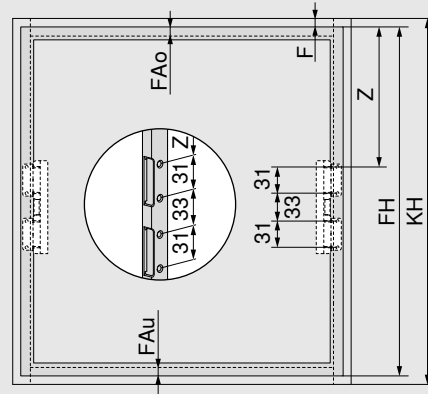
FH Front height

KH Cabinet height

SFA Side front overlay

Wall application: minimum 5 mm gap

Narrow aluminium frames



FAo Upper front overlay

FAu Bottom front overlay

F Gap

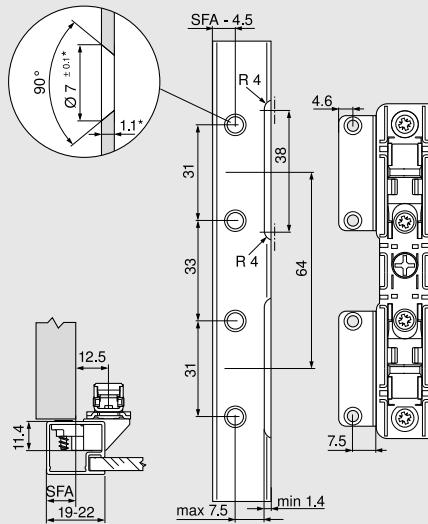
Z 195.5 + FAo

FH Front height

KH Cabinet height

Wall application: minimum 5 mm gap

Narrow aluminium frames

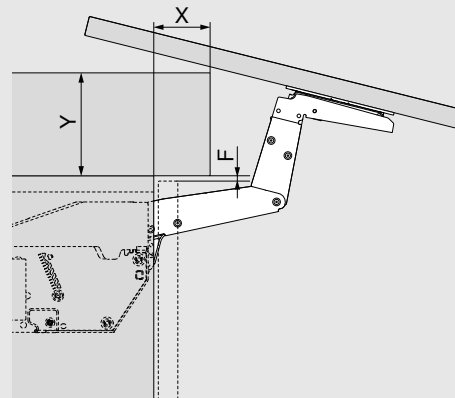


For frame width 19 mm, an SFA of 11-18 mm is possible.

\* When changing material thickness, adjust the assembly dimensions accordingly

SFA Side front overlay

Space requirement – cornice | crown moulding



F (mm)	3.0	2.0	1.5
X max. (mm)	31	29	27
Y max. (mm)	117	118	119
F Gap			

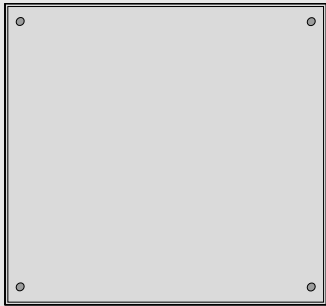


Find more information on assembly and adjustment of AVENTOS HS top at [www.blum.com/hstopassembly](http://www.blum.com/hstopassembly)

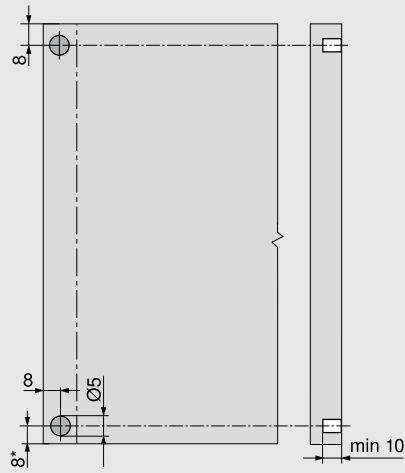
SERVO-DRIVE for AVENTOS HS top

Planning

Blum distance bumper (SERVO-DRIVE application only)



Insert Blum distance bumper (do not glue)



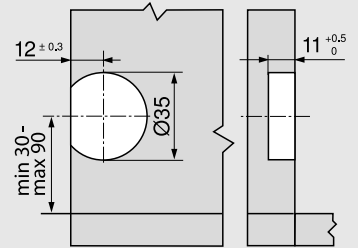
Recommendation for aluminium frames

Drill hole into cabinet side for Blum distance bumper

A trial application must be carried out if fixed to the front

\* From cabinet bottom edge for fronts that protrude below

SERVO-DRIVE switch



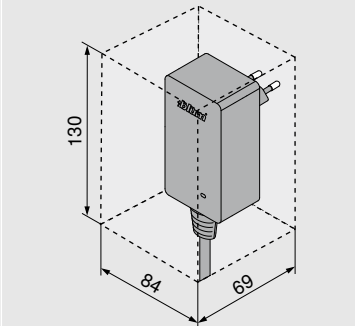
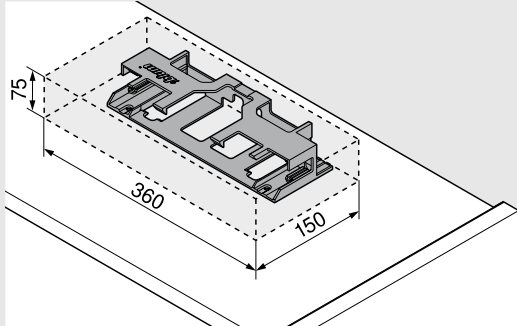
Our EASY ASSEMBLY app provides information about assembly and adjustment of AVENTOS HS top and SERVO-DRIVE

[www.blum.com/eaapp](http://www.blum.com/eaapp)

SERVO-DRIVE power supply unit and accessories

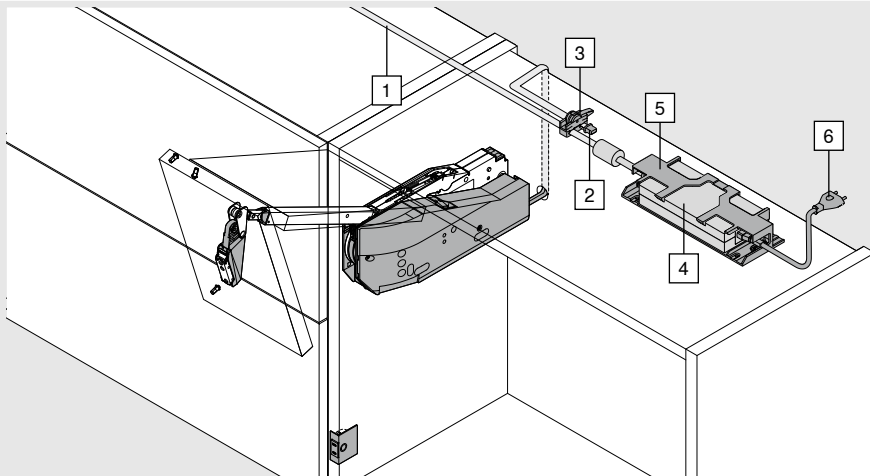
Planning

Space requirement and safety distance



**i** A safety distance of 30 mm must be maintained for air circulation (see graphic); otherwise, there is a risk that the SERVO-DRIVE power supply unit or SERVO-DRIVE plug-in power supply unit could overheat.

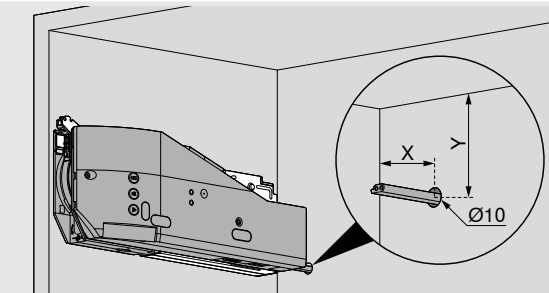
Assembly on the cabinet top panel



- 1 SERVO-DRIVE distribution cable
- 2 Connecting node
- 3 Cable end protector
- 4 SERVO-DRIVE power supply unit
- 5 Power supply unit housing
- 6 Flex

**i** Only one SERVO-DRIVE power supply unit can be connected to each SERVO-DRIVE distribution cable!

Back cabling



	X (mm)	Y (mm)
AVENTOS HS top	38.5	45



Find more information on assembly and adjustment of SERVO-DRIVE for AVENTOS top at [www.blum.com/servodrive-aventos-assembly](http://www.blum.com/servodrive-aventos-assembly)

Julius Blum GmbH  
6973 Höchst, Austria  
Tel.: +43 5578 705-0  
Fax: +43 5578 705-44  
E-mail: [info@blum.com](mailto:info@blum.com)  
[www.blum.com](http://www.blum.com)

Our sites in Austria, Poland and China are certified to the international standards mentioned below.  
Our site in the USA is certified to ISO 9001.  
Our site in Brazil is certified to ISO 9001, ISO 14001 and ISO 45001.



**ISO 9001**  
Certified Quality  
System



**ISO 14001**  
Certified Environmental  
System



**ISO 50001**  
Certified Energy  
System

 **blum**<sup>®</sup>



Look for our  
FSC™-certified  
products

All content is copyrighted by Blum.  
Subject to technical modifications and changes to the range without notice.  
TD-144/3 EN-AL/07.24