

AMPEROS AC

for LEGRABOX and MOVENTO

Technical data sheet



Overview

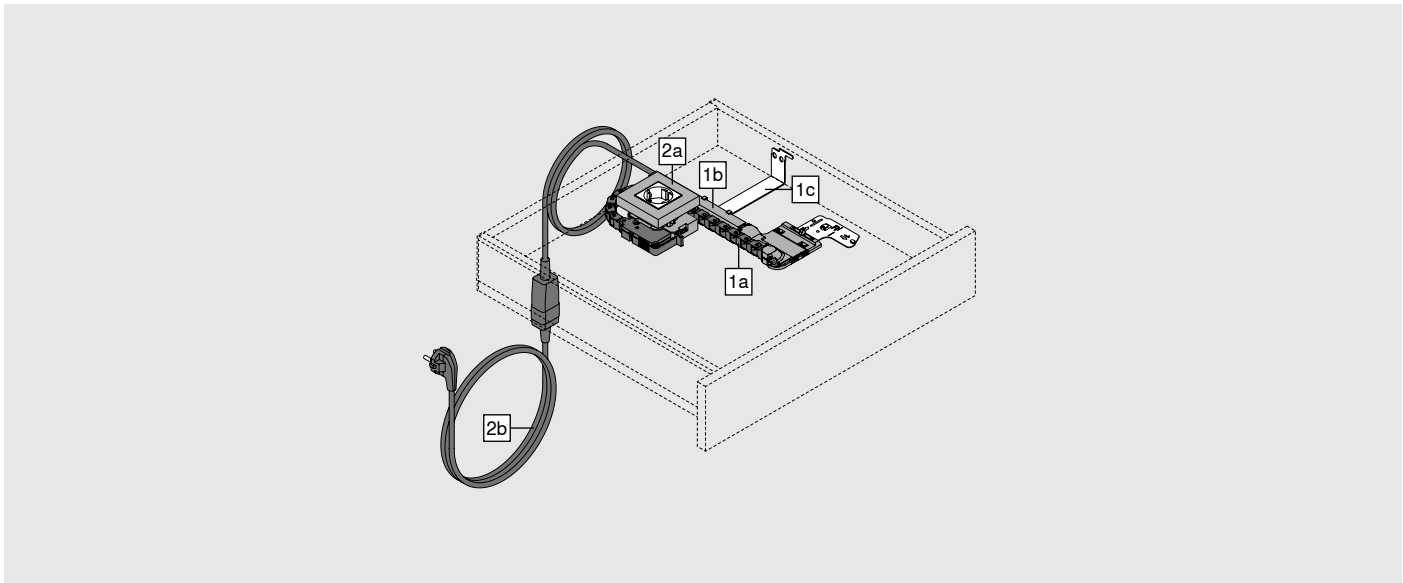


- Can be combined with LEGRABOX and MOVENTO
- Suitable for nominal lengths from 450 to 550 mm
- Same outlet position for all nominal lengths (NL) and cabinet widths (KB)
- Rapid positioning when using the TIP-ON BLUMOTION interface
- Easy to retrofit
- Concealed cable routing
- Easy to install with no electrical knowledge
- Tool-free detachment of drawer possible
- Can be combined with BLUMOTION, TIP-ON BLUMOTION and SERVO-DRIVE

Note: Subject to technical changes.

TD-143/5 EN/09.25 © Copyright by Blum

Ordering information



	1		Cable routing set	
			Nominal length (mm)	
			450	ESS.T1700
			500	ESS.T1900
		550	ESS.T2200	

Consisting of:		
1a	1 x	Cable routing
1b	1 x	Cable duct
1c	1 x	Cable duct holder

	2		Power element and flex	
	Socket insert	Language package	Colour	
	F	A	WS-H SZ-M	ESS.B01FA
E	B	WS-H SZ-M	ESS.B01EB	

Consisting of:		
2a	1 x	Power element
2b	1 x	AMPEROS AC flex
-	1 x	Installation instructions
-	1 x	Operating instructions

Socket insert			
F		E	

Language package	
A	EN, DE, IT, NL, ES, PT, FI, NO, SV, ET, LT, LV, EL, HR, SL, TR, HU, RO, BG
B	EN, FR, NL, PL, SK, CS

Colour	
WS-H	Glossy white
SZ-M	Black matt

Note: Subject to technical changes.

Planning

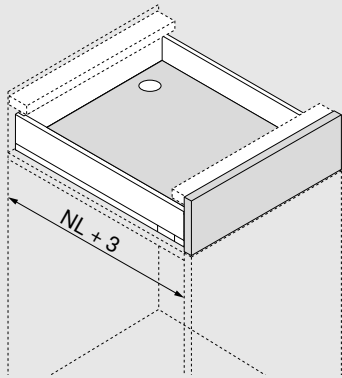
Protection category IP20

The relevant national standards and regulations must be taken into account when planning and installing AMPEROS AC.

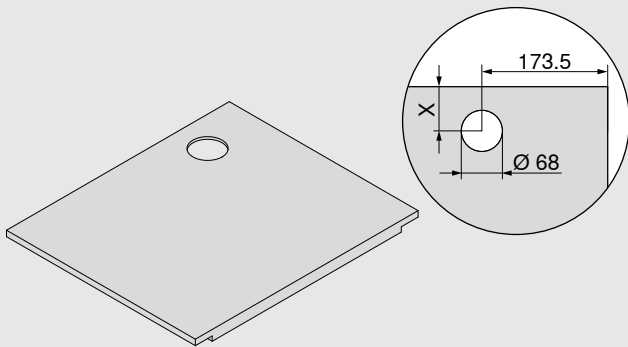
Ensure that AMPEROS AC is installed a sufficient distance from washbasins and other installations that carry water.

All drilling distances specified must be observed to ensure AMPEROS AC functions correctly.

Space requirement

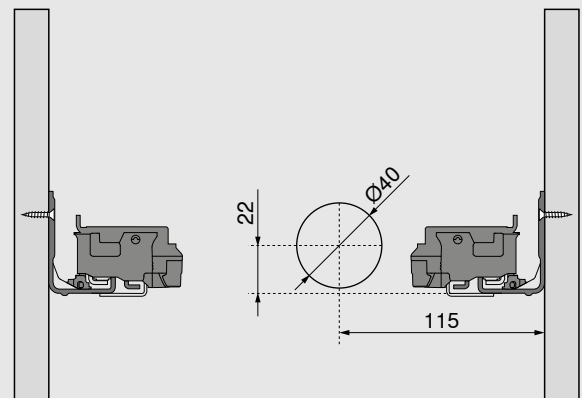


Drawer base drilling distances



	X (mm)
Chipboard back	56
Steel back	45

Cabinet back drilling distances

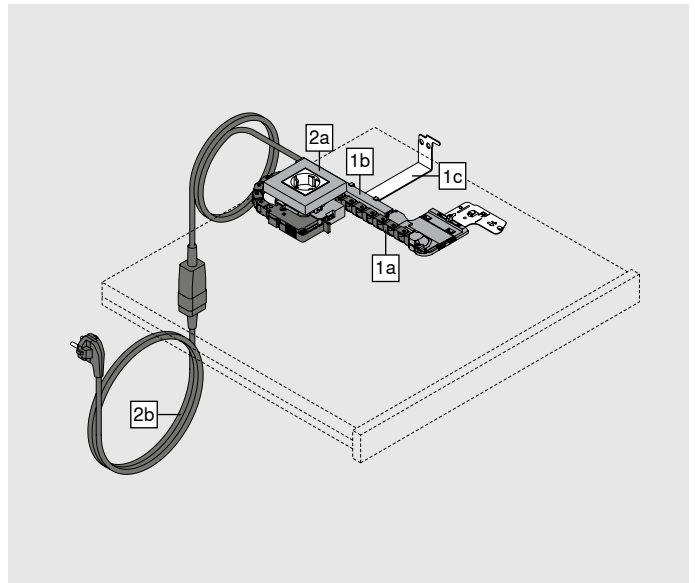
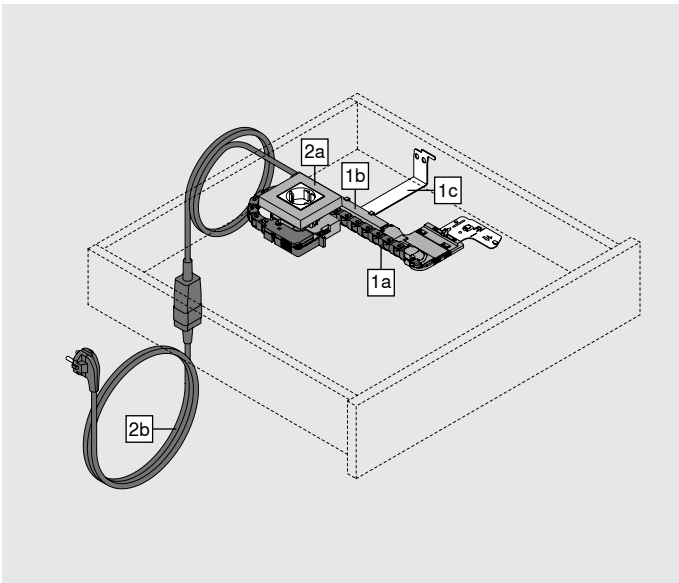


Note

AMPEROS AC cannot be implemented with a side stabiliser. When installing AMPEROS AC over a cabinet base, cross member or recessed grip, we recommend that the cabinet profile be positioned 3 mm higher to prevent a collision with the power element.

Please also note the internal cabinet width: AMPEROS AC can be used from 336 mm, TIP-ON BLUMOTION from 362 mm, SERVO-DRIVE from 562 mm.

Ordering information



1	Cable routing set		
	Nominal length (mm)		
	450		ESS.T1700
	480–520		ESS.T1900
	550		ESS.T2200

Consisting of:		
1a	1 x	Cable routing
1b	1 x	Cable duct
1c	1 x	Cable duct holder

2	Power element and flex			
	Socket insert	Language package	Colour	Base thickness 12–32 mm
	F	A	WS-H SZ-M	ESS.B01FA
	E	B	WS-H SZ-M	ESS.B01EB

Consisting of:		
2a	1 x	Power element
2b	1 x	AMPEROS AC flex
-	1 x	Installation instructions
-	1 x	Operating instructions

Socket insert			
F		E	

Language package	
A	EN, DE, IT, NL, ES, PT, FI, NO, SV, ET, LT, LV, EL, HR, SL, TR, HU, RO, BG
B	EN, FR, NL, PL, SK, CS

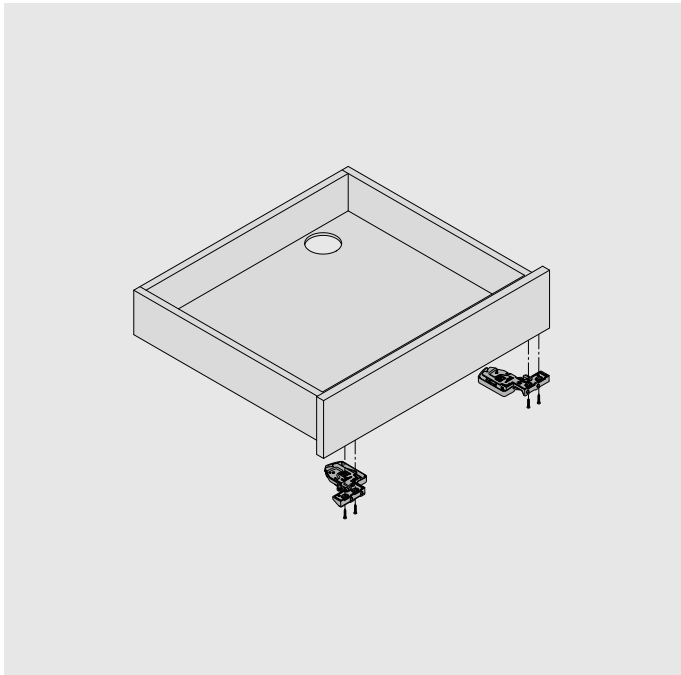
Colour	
WS-H	Glossy white
SZ-M	Black matt

Note: Subject to technical changes.

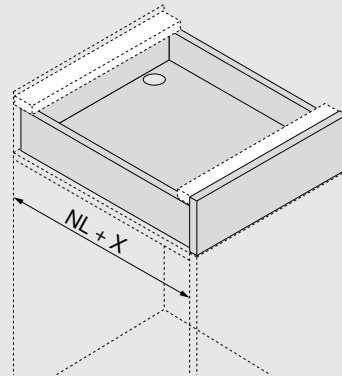
Drawer

Planning

Protection category IP20
 The relevant national standards and regulations must be taken into account when planning and installing AMPEROS AC.
 Ensure that AMPEROS AC is installed a sufficient distance from washbasins and other installations that carry water.
 All drilling distances specified must be observed to ensure AMPEROS AC functions correctly.

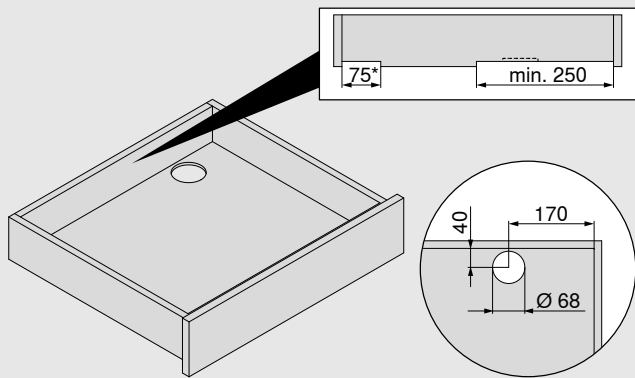


Space requirement



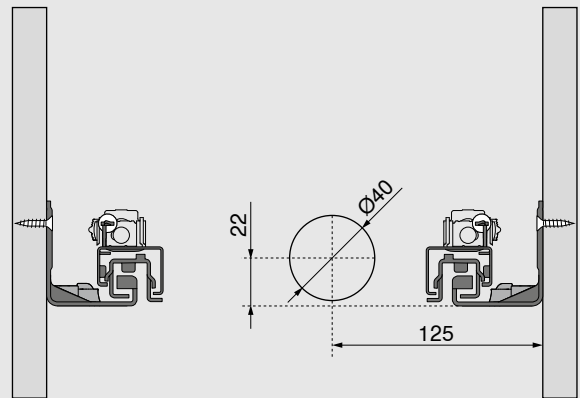
Nominal length NL (mm)	X (mm)
450	+ 3
480	+ 22
500	+ 3
520	+ 3
550	+ 3

Drawer base drilling distances



* TIP-ON BLUMOTION 125 mm

Cabinet back drilling distances



i Note

AMPEROS AC cannot be implemented with a side stabiliser. When installing AMPEROS AC over a cabinet base, cross member or recessed grip, we recommend that the cabinet profile be positioned 3 mm higher to prevent a collision with the power element.
 Please also note the internal cabinet width: AMPEROS AC can be used from 336 mm, TIP-ON BLUMOTION from 362 mm, SERVO-DRIVE from 562 mm.

Pull-out shelf

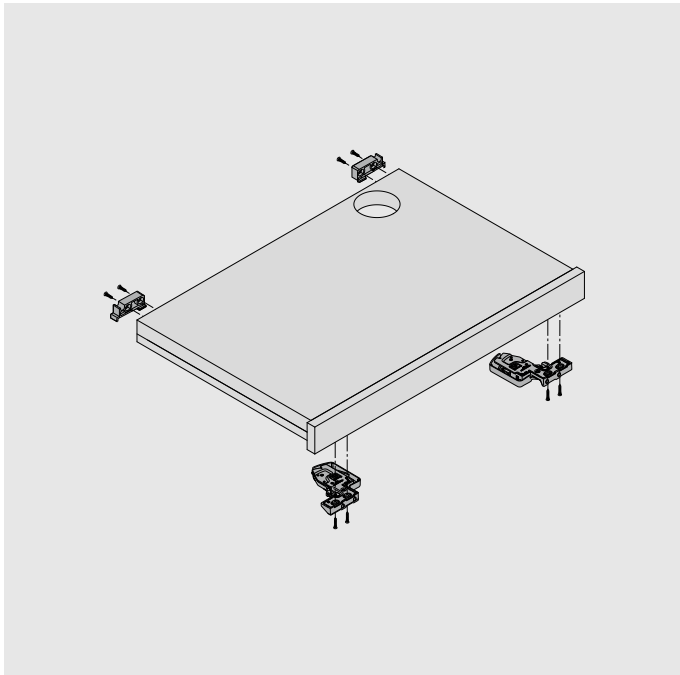
Planning

Protection category IP20

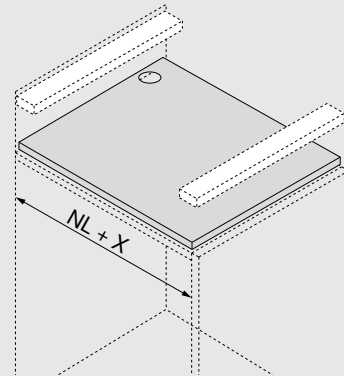
The relevant national standards and regulations must be taken into account when planning and installing AMPEROS AC.

Ensure that AMPEROS AC is installed a sufficient distance from washbasins and other installations that carry water.

All drilling distances specified must be observed to ensure AMPEROS AC functions correctly.

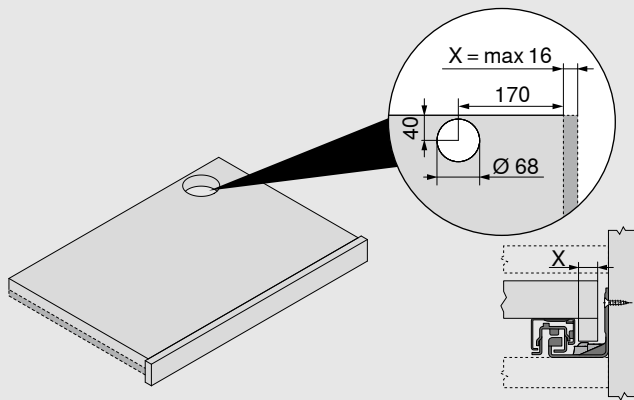


Space requirement



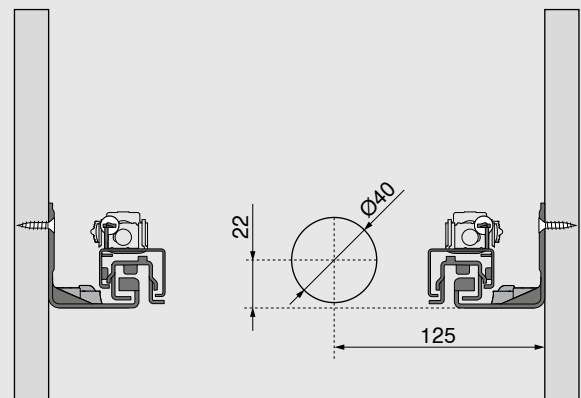
Nominal length NL (mm)	X (mm)
450	+ 3
480	+ 25
500	+ 3
520	+ 3
550	+ 3

Drilling distances for pull-out shelf base



Base thickness 12–32 mm

Cabinet back drilling distances



i Note

AMPEROS AC cannot be implemented with a side stabiliser. When installing AMPEROS AC over a cabinet base, cross member or recessed grip, we recommend that the cabinet profile be positioned 3 mm higher to prevent a collision with the power element.

Please also note the internal cabinet width: AMPEROS AC can be used from 336 mm, TIP-ON BLUMOTION from 362 mm, SERVO-DRIVE from 562 mm.

Pull-out shelf lock

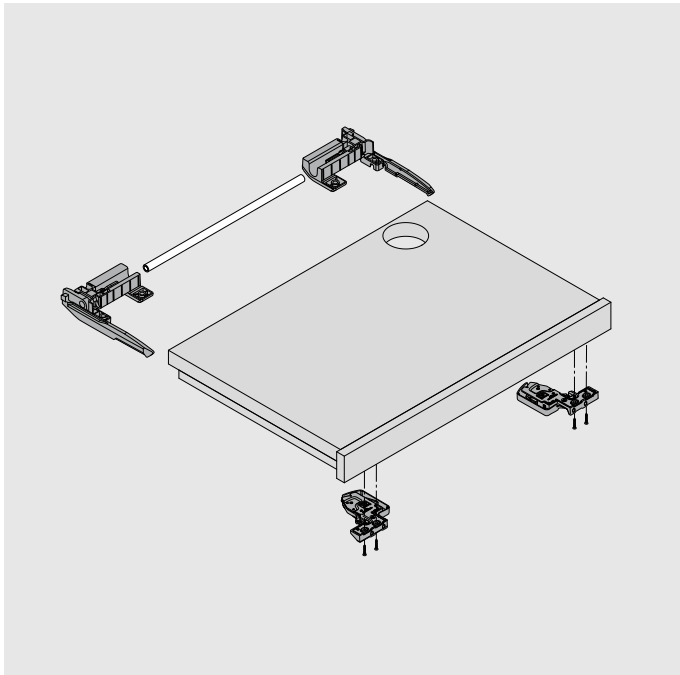
Planning

Protection category IP20

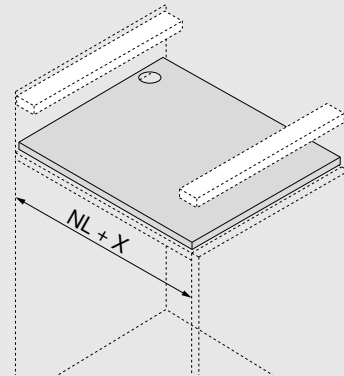
The relevant national standards and regulations must be taken into account when planning and installing AMPEROS AC.

Ensure that AMPEROS AC is installed a sufficient distance from washbasins and other installations that carry water.

All drilling distances specified must be observed to ensure AMPEROS AC functions correctly.

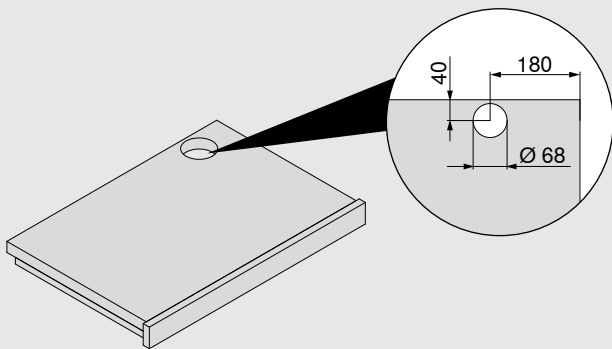


Space requirement



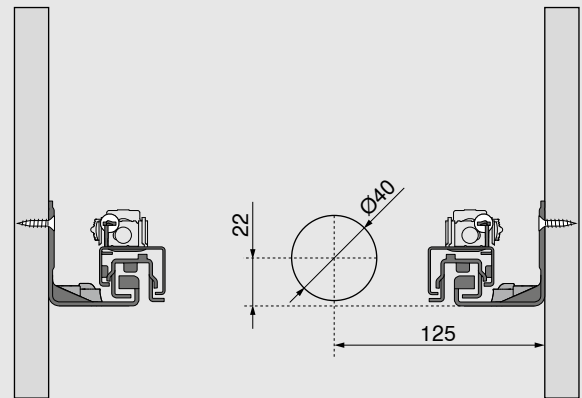
Nominal length NL (mm)	X (mm)
450	+ 3
480	+ 16
500	+ 3
520	+ 3
550	+ 3

Drilling distances for pull-out shelf base



Base thickness 12–32 mm

Cabinet back drilling distances

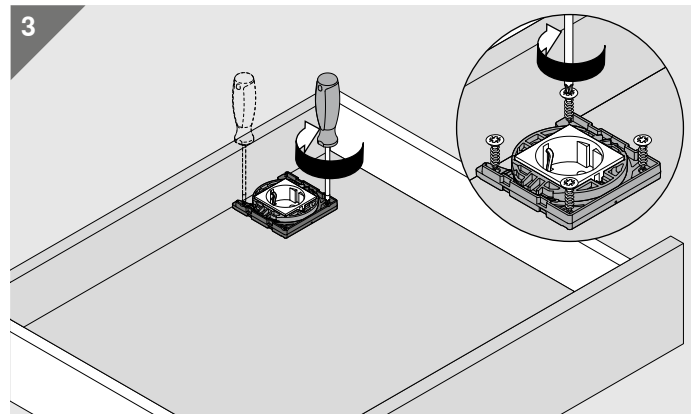
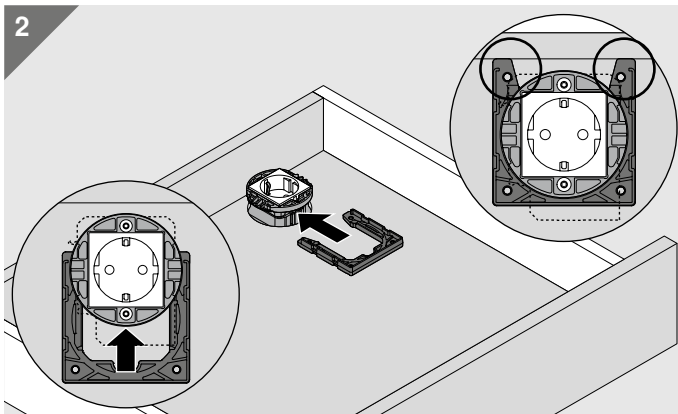
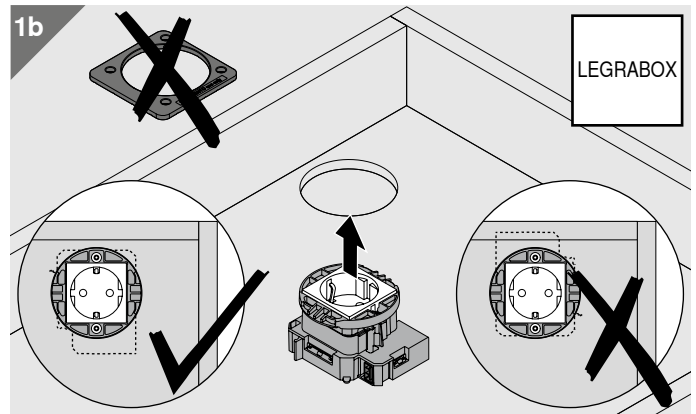
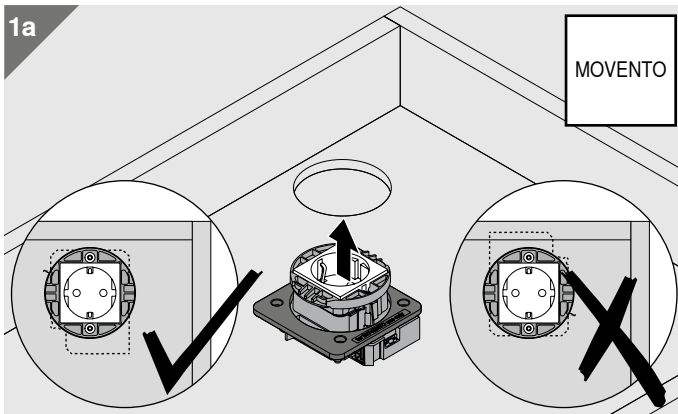
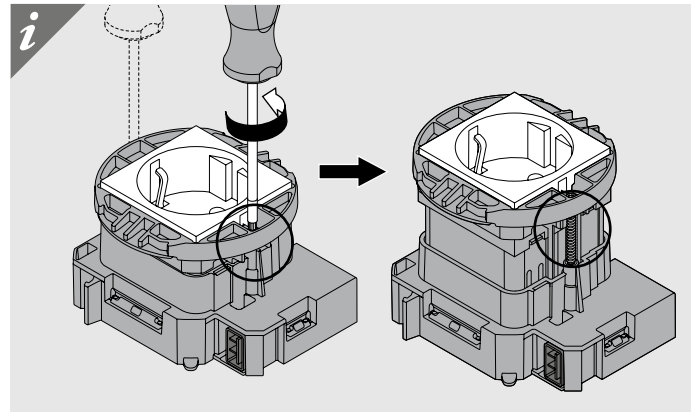
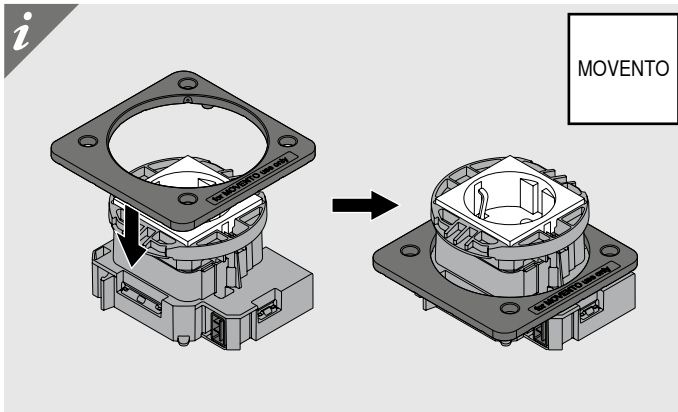


i Note

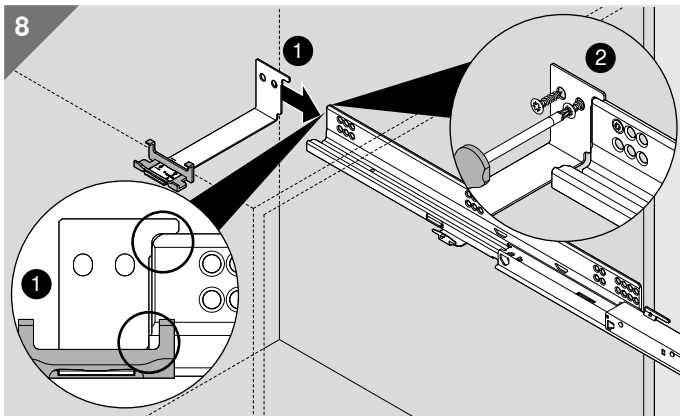
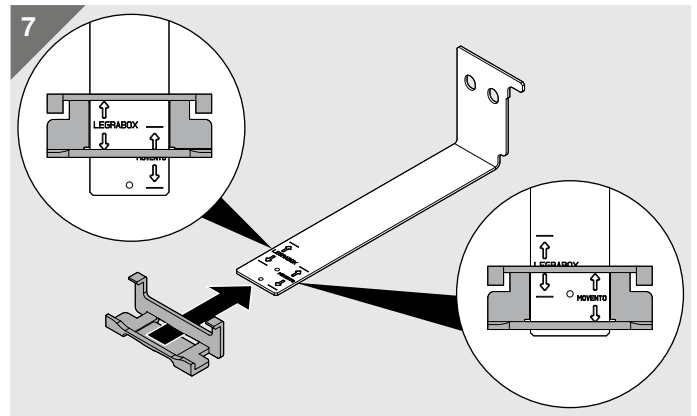
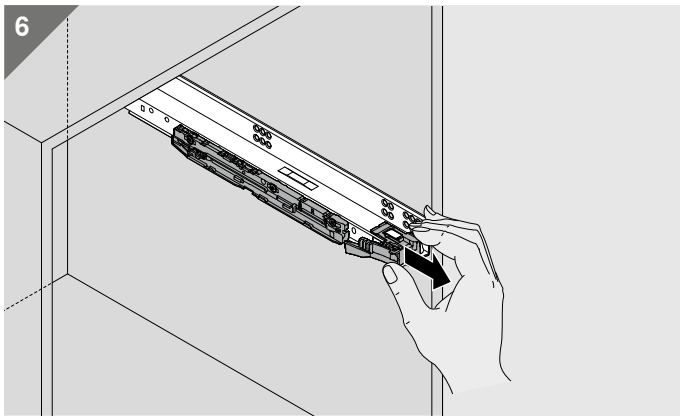
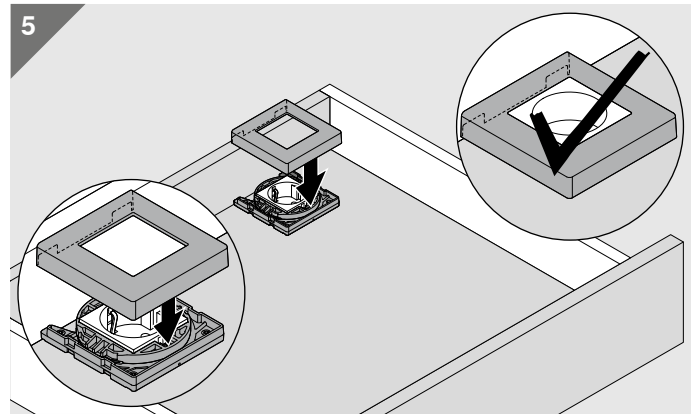
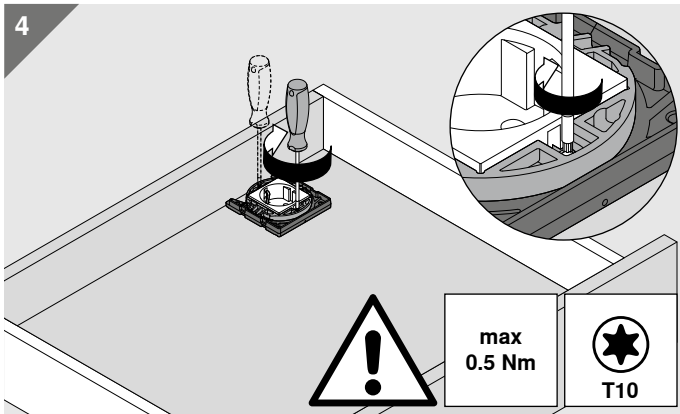
AMPEROS AC cannot be implemented with a side stabiliser. When installing AMPEROS AC over a cabinet base, cross member or recessed grip, we recommend that the cabinet profile be positioned 3 mm higher to prevent a collision with the power element.

Please also note the internal cabinet width: AMPEROS AC can be used from 336 mm, TIP-ON BLUMOTION from 362 mm, SERVO-DRIVE from 562 mm.

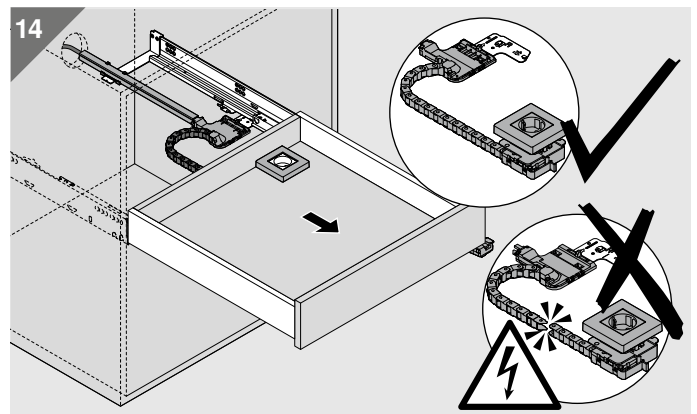
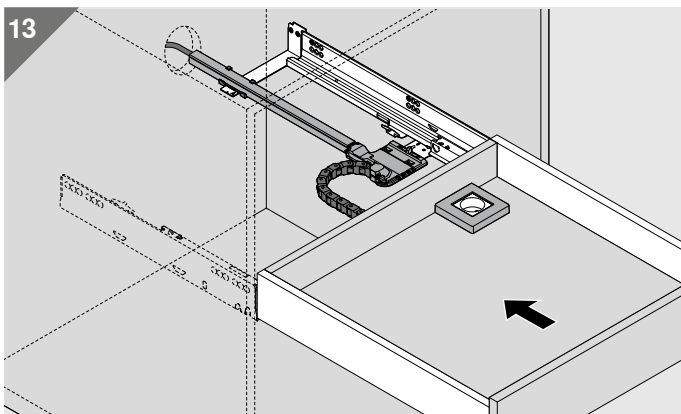
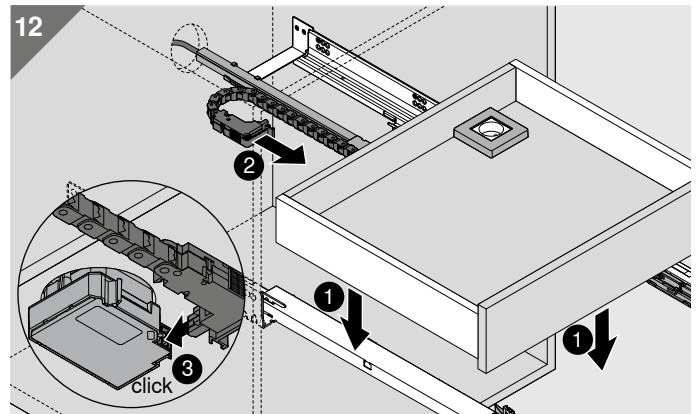
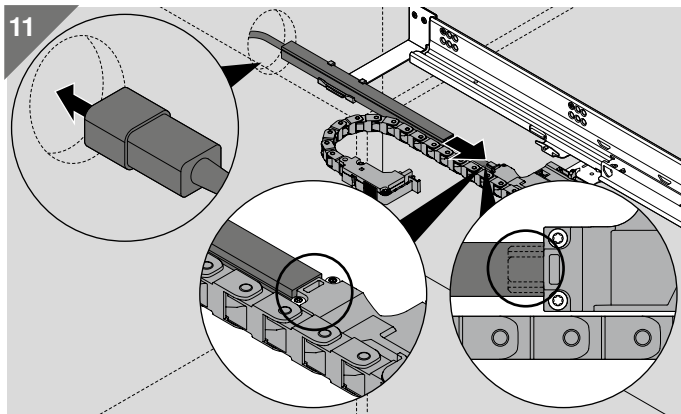
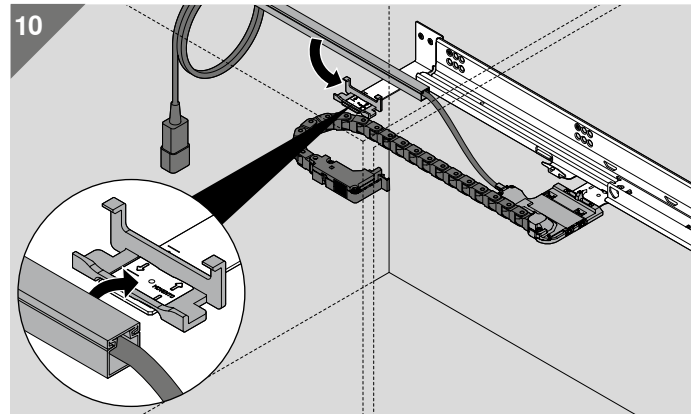
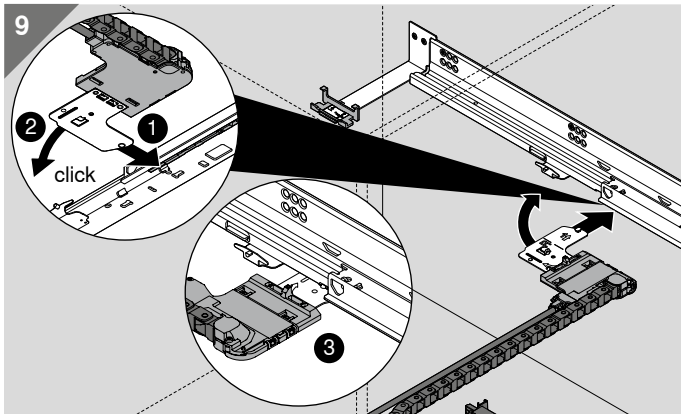
Installation



Installation



Installation



Julius Blum GmbH
6973 Höchst, Austria
Tel.: +43 5578 705-0
Fax: +43 5578 705-44
E-mail: info@blum.com
www.blum.com

Our sites in Austria, Poland and China are certified to the international standards mentioned below.
Our site in the USA is certified to ISO 9001.
Our site in Brazil is certified to ISO 9001, ISO 14001 and ISO 45001.



ISO 9001
Certified Quality
System



ISO 14001
Certified Environmental
System



ISO 50001
Certified Energy
System

 **blum**®



Look for our
FSC™-certified
products

All content is copyrighted by Blum.
Subject to technical modifications and changes to the range without notice.
TD-143/5 EN-AL/09,25