



# SERVO-DRIVE flex

Electrical opening support system  
for handle-less built-in refrigerators

Technical data sheet

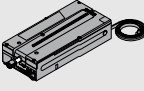

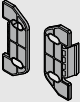


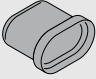
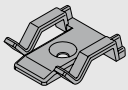

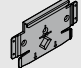
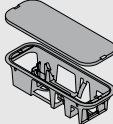
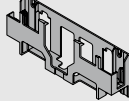
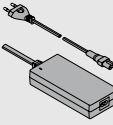


## Contents

- 03** Components
- 05** SERVO-DRIVE for refrigerators and freezers NH < 1700 mm
- 07** SERVO-DRIVE for refrigerators and freezers NH ≥ 1700 mm
- 10** SERVO-DRIVE for refrigerators and freezers
- 14** SERVO-DRIVE flex for dishwashers
- 17** Assembly devices
- 18** Installation
- 27** Reset
- 28** Removal

## Components

### Overview

<b>Drive unit</b>	
	The drive unit opens the doors by extension of a magnetic rod. When the doors are opened, the rod retracts automatically; in the event of unintentional opening, the drive unit closes the doors again after 2.5, 4 or 8 seconds.
<b>Front cover</b>	
	The front cover seals the blind front recess, which is required for the extension and retraction of the rod.
<b>Front fixing</b>	
	The front fixing connects the blind front to the mounting plate and makes assembly and removal easy.
<b>Blum distance bumper</b>	
	The Blum distance bumper ensures the required trigger path of 2 mm.
<b>Catch plate</b>	
	The catch plate serves as a stop for the magnetic rod in order to close the appliance door.
<b>Cable end protector</b>	
	The cable end protector is fitted onto the unused ends of the cable.
<b>Cable holder</b>	
	The cable holder allows you to route the SERVO-DRIVE distribution cable safely and neatly.
<b>Communication cable</b>	
	The communication cable connects drive units that should open simultaneously.
<b>Assembly jig</b>	
	The assembly jig helps you attach the mounting plate correctly inside the cabinet.
<b>Power supply unit housing</b>	
<b>Base fixing</b>	
	The power supply unit housing for base fixing securely accommodates the SERVO-DRIVE power supply unit on the base.
<b>Power supply unit housing</b>	
<b>Back panel/wall fixing</b>	
	The SERVO-DRIVE power supply unit can be attached to the wall or back panel with the power supply unit housing for back panel/wall fixing.
<b>SERVO-DRIVE power supply unit</b>	
	The SERVO-DRIVE power supply unit can be used around the world. It converts the country-specific mains voltage to 24 V direct current. You must use a flex with a regular plug for the respective country. The SERVO-DRIVE power supply unit is used to supply several drive units with power (throughout the entire kitchen).

## Components

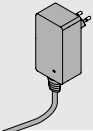
### Overview

#### SERVO-DRIVE switch



The SERVO-DRIVE switch triggers the opening signal for the appliance door and enlarges the trigger range.

#### SERVO-DRIVE plug-in power supply unit



The SERVO-DRIVE plug-in power supply unit supplies power to a single drive unit of individual applications.

#### SERVO-DRIVE distribution cable



The distribution cable supplies power to the drive units. The max. permitted operating voltage is 24 V.

Note: This cable must not be directly connected to the mains power outlet.

#### Chipboard screws



The chipboard screws secure the drive unit, mounting plate and catch plate.

#### Connecting node



This node establishes the electrical connection between the SERVO-DRIVE distribution cable and the SERVO-DRIVE power supply unit.

**SERVO-DRIVE flex for refrigerators and freezers – recess height (NH) < 1700 mm**

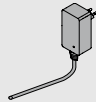

- Can be used for all standard built-in refrigerators and freezers
- Recess height (NH) < 1700 mm
- Low recess height (NH) for drive unit of min. 60 mm
- Adaptive system / automatic adjustment of the opening force to the stay close force of the appliance door
- Automatic self-closing system for unintentional opening
- Lean protection feature
- Trigger safety
- Adjustable stay open time (2.5 sec, 4 sec, 8 sec)
- Easy installation with LED feedback on the correct installation depth
- Not suitable for refrigerators without own cabinet, with self-opening system, with child safety latch, with automatic self-closing system and freezers with base units (recess height (NH)  $\geq$  1700 mm) and refrigerated pull-outs

SERVO-DRIVE flex for refrigerators and freezers – recess height (NH) < 1700 mm

Ordering information

	<b>1 Drive unit</b>		
	Colour	Material	
	TGR	K	Z10C5000.01
	<b>2 Front cover</b>		
	Colour	Material	
	TGR	K	Z10C5009
	<b>3 Front fixing</b>		
	Colour	Material	
	TGR	K	Z10C5006
	<b>4 Blum distance bumper</b>		
	Colour	Material	
	TGR	K	
	Ø 5 mm		993.0530

**5 SERVO-DRIVE plug-in power supply unit**  
Only suitable for one drive unit



Market	Language package		Market	Language package	
E	A	☎ Z10NA40EA	E	F	☎ Z10NA40EF
E	B	☎ Z10NA40EB	B	A	☎ Z10NA40BA
E	C	☎ Z10NA40EC	K	I	☎ Z10NA40KI
E	D	☎ Z10NA40ED	N	H	☎ Z10NA40NH
E	E	☎ Z10NA40EE	U	G	☎ Z10NA40UG

☎ Item available on request

Consisting of:

- 1 x SERVO-DRIVE plug-in power supply unit  
Incl. cable, 1120 mm  
(with SERVO-DRIVE distribution cable extendible to max. 2000 mm)  
Incl. operating and installation instructions

Markets and language packages

Name		Language packages*	
Markets		Language packages*	
E	Europa	A	DE, EN, FR, IT, NL
B	GB	B	DA, EN, FI, NO, SV
K	AU	C	EL, EN, HR, SL, SR, TR
N	CN	D	EN, ES, FR, IT, PT
U	US   CA   JP	E	CS, HU, PL, SK
		F	BG, ET, LV, LT, RO, RU, GB
		G	EN, ES, FR
		H	EN, ZH, KO
		I	EN

\* Language descriptions as per ISO-639

	<b>6 Catch plate</b>		
	Colour	Material	
	NI	Steel	Z10C5004
	<b>7 Cable end protector</b>		
	Colour	Material	
	TGR	K	Z10K0008
	<b>8 Mounting plate</b>		
	Colour	Material	
	TGR	K	Z10C5005
	<b>- Chipboard screws</b>		
	Colour	Material	
	NI	Steel	609.1500

	<b>9 Connecting node</b>		
	Colour	Material	
	SZ	K	Z10V1000.01

Accessories

	<b>10 SERVO-DRIVE switch</b>		
	Colour	Material	
	SW/HGR/TGR	K	Z3P5020

Recommendation for the use of the SERVO-DRIVE switch – see page 22

	<b>- Cable holder</b>		
	Colour	Material	
	WS	K	Z10K0009

	<b>- Assembly jig</b>		
	Colour	Material	
	GE	K	Z10C500-18

	<b>- SERVO-DRIVE distribution cable</b>		
	Colour	Material	
	SZ	K	
	Length 6000 mm		Z10K600A

For cutting to size

Colour/material			
GE	Yellow	SW	Silk white
HGR	Light grey	TGR	Dark grey
K	Nylon	WS	White
NI	Nickel plated		
SZ	Black		

**SERVO-DRIVE flex for refrigerators and freezers – recess height (NH)  $\geq$  1700 mm**


- Can be used for all standard built-in refrigerators and freezers
- Recess height (NH)  $\geq$  1700 mm
- Low recess height (NH) for drive unit of min. 60 mm
- Adaptive system / automatic adjustment of the opening force to the stay close force of the appliance door
- Automatic self-closing system for unintentional opening
- Lean protection feature
- Trigger safety
- Adjustable stay open time (2.5 sec, 4 sec, 8 sec)
- Easy installation with LED feedback on the correct installation depth and easy synchronisation of two drive units
- Not suitable for refrigerators without own cabinet, with self-opening system, with child safety latch, with automatic self-closing system and freezers with base units (recess height (NH)  $\geq$  1700 mm) and refrigerated pull-outs

SERVO-DRIVE flex for refrigerators and freezers – recess height (NH) ≥ 1700 mm

Ordering information

	<b>1 Drive unit</b>				
	Colour	Material			
	TGR	K	Z10C500.01		
	<b>2 Front cover</b>				
	Colour	Material			
	TGR	K	Z10C5009		
	<b>3 Front fixing</b>				
	Colour	Material			
	TGR	K	Z10C5006		
	<b>4 Blum distance bumper</b>				
	Colour	Material			
	TGR	K			
	Ø 5 mm		993.0530		
	<b>5 Catch plate</b>				
	Colour	Material			
	NI	Steel	Z10C5004		
<b>6 SERVO-DRIVE power supply unit incl. flex</b>					
Markets	Language package		Markets	Language package	
E	A	Z10NE04EA	I	A	Z10NE04IA
E	B	Z10NE04EB	K	I	Z10NE04KI
E	C	Z10NE04EC	N	H	Z10NE04NH
E	D	Z10NE04ED	R	H	Z10NE04RH
E	E	Z10NE04EE	S	K	Z10NE04SK
E	F	Z10NE04EF	T	H	Z10NE04TH
E	I	Z10NE04EI	U	G	Z10NE04UG
B	A	Z10NE04BA	U	J	Z10NE04UJ
B	I	Z10NE04BI	Z	I	Z10NE04ZI
H	I	Z10NE04HI			
Incl. operating and installation instructions					
Consisting of:					
6a	1 x	Power supply unit (output flex: length 2 m)			
6b	1 x	Flex (1.5–1.8 m, including plug)			

Colour/material			
K	Nylon	WGR	White grey
NI	Nickel plated	TGR	Dark grey
SZ	Black	R7037	RAL 7037 dust grey
WS	White		


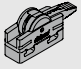
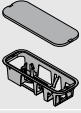
	<b>8 Cable end protector</b>		
	Colour	Material	
	TGR	K	Z10K0008
	<b>10 Communication cable</b>		
	Colour	Material	
	TGR	K	Z10C5005
	<b>11 SERVO-DRIVE distribution cable</b>		
	Colour	Material	
	SZ	K	
	Length 6000 mm		Z10K600A
For cutting to size			

Markets and language packages

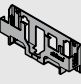
Name			
Markets		Language packages*	
E	Europa	A	DE, EN, FR, IT, NL
B	GB	B	DA, EN, FI, NO, SV
H	IN	C	EL, EN, HR, SR, SL, TR
I	IL	D	EN, ES, FR, IT, PT
K	AU	E	CS, HU, PL, SK
N	CN	F	BG, ET, LV, LT, RO, RU, GB
R	KR	G	EN, ES, FR
S	BR	H	EN, ZH, KO
T	TW	I	EN
U	US   CA   JP	J	JA
Z	ZA	K	EN, ES, PT

\* Language descriptions as per ISO-639

**SERVO-DRIVE flex for refrigerators and freezers – recess height (NH) ≥ 1700 mm**
**Ordering information**

-	<b>Chipboard screws</b>		
	<b>Colour</b>	<b>Material</b>	
	NI	Steel	609.1500
12	<b>Connecting node</b>		
	<b>Colour</b>	<b>Material</b>	
	SZ	K	Z10V1000.01
13	<b>Power supply unit housing</b>		
	Base fixing		
	<b>Colour</b>	<b>Material</b>	
	TGR	K	Z10NG000
Includes cover			
For SERVO-DRIVE power supply unit			

**Alternative**

-	<b>Power supply unit housing</b>		
	Back panel/wall fixing		
	<b>Colour</b>	<b>Material</b>	
	WGR	K	Z10NG120
For SERVO-DRIVE power supply unit			

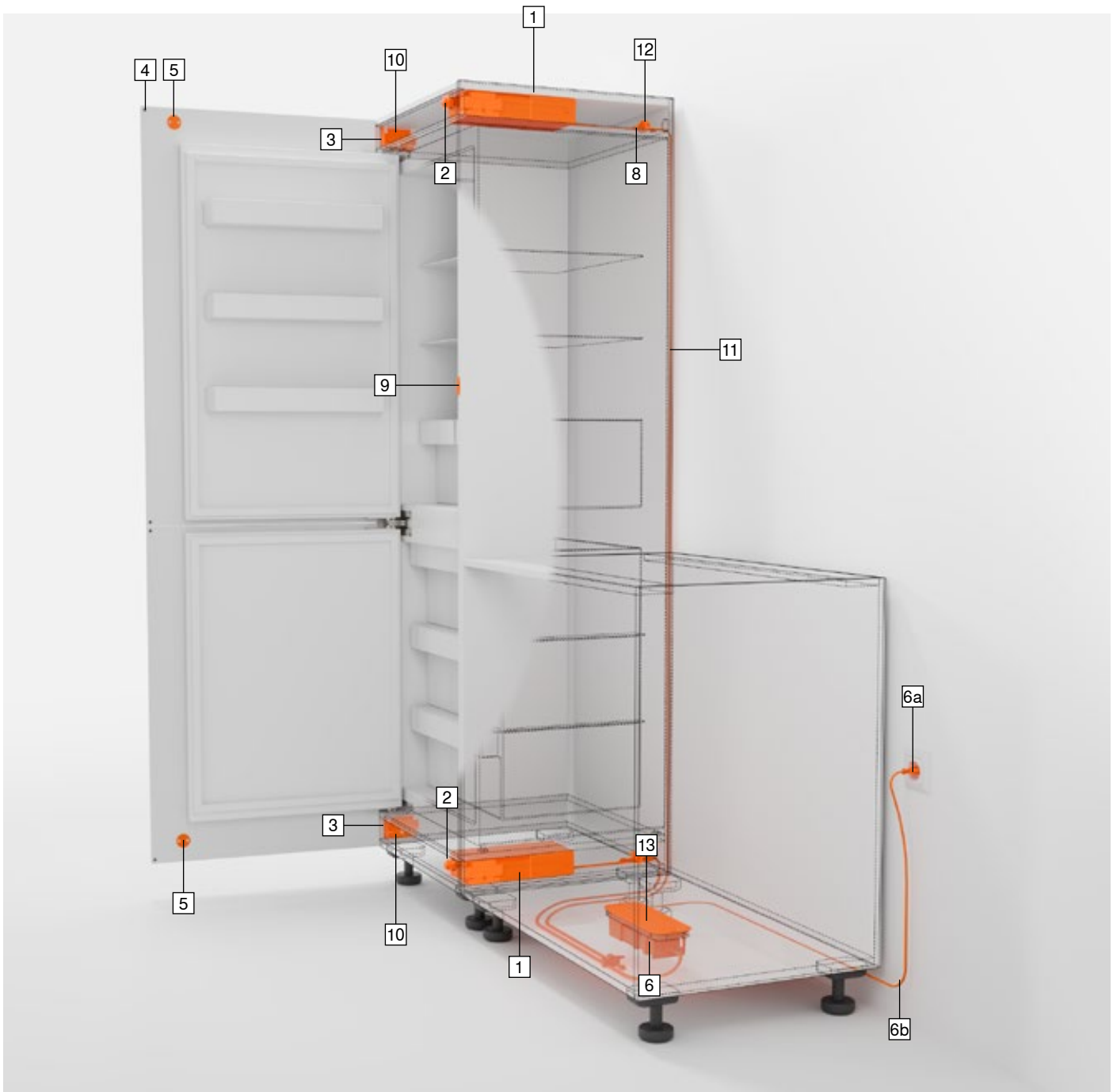
**Accessories**

-	<b>Cable holder</b>		
	<b>Colour</b>	<b>Material</b>	
	WS	K	Z10K0009
-	<b>Assembly jig</b>		
	<b>Colour</b>	<b>Material</b>	
	GE	K	Z10C500-18

**Colour/material**

GE	Yellow	WS	White
K	Nylon	R7037	RAL 7037 dust grey
SZ	Black	NI	Nickel plated
WGR	White grey		

## SERVO-DRIVE flex for fridge/freezer combinations



- Can be used for all standard built-in fridge/freezer combinations
- Recess height (NH)  $\geq 1700$  mm
- Low recess height (NH) for drive unit of min. 60 mm
- Adaptive system / automatic adjustment of the opening force to the stay close force of the appliance door
- Automatic self-closing system for unintentional opening
- Lean protection feature
- Trigger safety
- Adjustable stay open time (2.5 sec, 4 sec, 8 sec)
- Easy installation with LED feedback on the correct installation depth
- Not suitable for refrigerators without own cabinet, with self-opening system, with child safety latch, with automatic self-closing system, fridge/freezer combinations with air exchange and freezers with base units (recess height (NH)  $\geq 1700$  mm) and refrigerated pull-outs

SERVO-DRIVE flex for fridge/freezer combinations

Ordering information

<b>1</b>	<b>Drive unit</b>				
		<b>Colour</b>	<b>Material</b>		
		TGR	K		
			Z10C5000.01		
<b>2</b>	<b>Front cover</b>				
		<b>Colour</b>	<b>Material</b>		
		TGR	K		
			Z10C5009		
<b>3</b>	<b>Front fixing</b>				
		<b>Colour</b>	<b>Material</b>		
		TGR	K		
			Z10C5006		
<b>4</b>	<b>Blum distance bumper</b>				
		<b>Colour</b>	<b>Material</b>		
		TGR	K		
		Ø 5 mm	993.0530		
<b>5</b>	<b>Catch plate</b>				
		<b>Colour</b>	<b>Material</b>		
		NI	Steel		
			Z10C5004		
<b>6</b>	<b>SERVO-DRIVE power supply unit incl. flex</b>				
<b>Markets</b>	<b>Language package</b>		<b>Markets</b>	<b>Language package</b>	
E	A	Z10NE04EA	I	A	Z10NE04IA
E	B	Z10NE04EB	K	I	Z10NE04KI
E	C	Z10NE04EC	N	H	Z10NE04NH
E	D	Z10NE04ED	R	H	Z10NE04RH
E	E	Z10NE04EE	S	K	Z10NE04SK
E	F	Z10NE04EF	T	H	Z10NE04TH
E	I	Z10NE04EI	U	G	Z10NE04UG
B	A	Z10NE04BA	U	J	Z10NE04UJ
B	I	Z10NE04BI	Z	I	Z10NE04ZI
H	I	Z10NE04HI			
Incl. operating and installation instructions					
<b>Consisting of:</b>					
<b>6a</b>	1 x	Power supply unit (output flex: length 2 m)			
<b>6b</b>	1 x	Flex (1.5–1.8 m, including plug)			

Colour/material			
HGR	Light grey	TGR	Dark grey
K	Nylon	WS	White
NI	Nickel plated	WGR	White grey
SZ	Black		
SW	Silk white		

<b>8</b>	<b>Cable end protector</b>		
		<b>Colour</b>	<b>Material</b>
		TGR	K
			Z10K0008
<b>9</b>	<b>SERVO-DRIVE switch</b>		
		<b>Colour</b>	<b>Material</b>
		SW/HGR/TGR	K
			23P5020
<b>10</b>	<b>Mounting plate</b>		
		<b>Colour</b>	<b>Material</b>
		TGR	K
			Z10C5005
<b>11</b>	<b>SERVO-DRIVE distribution cable</b>		
		<b>Colour</b>	<b>Material</b>
		SZ	K
		Length 6000 mm	Z10K600A
For cutting to size			


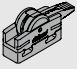
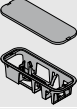
Markets and language packages

Name			
Markets		Language packages*	
<b>E</b>	Europa	<b>A</b>	DE, EN, FR, IT, NL
<b>B</b>	GB	<b>B</b>	DA, EN, FI, NO, SV
<b>H</b>	IN	<b>C</b>	EL, EN, HR, SR, SL, TR
<b>I</b>	IL	<b>D</b>	EN, ES, FR, IT, PT
<b>K</b>	AU	<b>E</b>	CS, HU, PL, SK
<b>N</b>	CN	<b>F</b>	BG, ET, LV, LT, RO, RU, GB
<b>R</b>	KR	<b>G</b>	EN, ES, FR
<b>S</b>	BR	<b>H</b>	EN, ZH, KO
<b>T</b>	TW	<b>I</b>	EN
<b>U</b>	US   CA   JP	<b>J</b>	JA
<b>Z</b>	ZA	<b>K</b>	EN, ES, PT

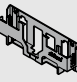
\* Language descriptions as per ISO-639

## SERVO-DRIVE flex for fridge/freezer combinations

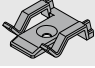

### Ordering information

-			
	<b>Chipboard screws</b>		
	<b>Colour</b>	<b>Material</b>	
	NI	Steel	609.1500
12			
	<b>Connecting node</b>		
	<b>Colour</b>	<b>Material</b>	
	SZ	K	Z10V1000.01
13			
	<b>Power supply unit housing</b>		
	Base fixing		
	<b>Colour</b>	<b>Material</b>	
	TGR	K	Z10NG000
Includes cover			
For SERVO-DRIVE power supply unit			

#### Alternative

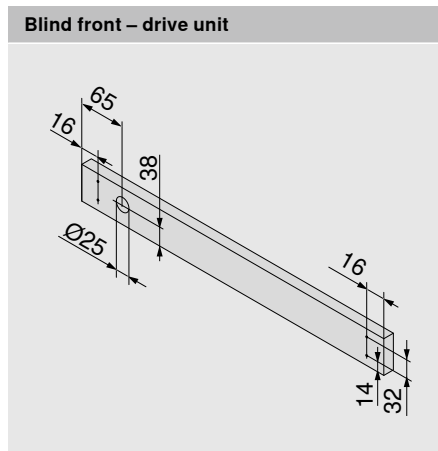
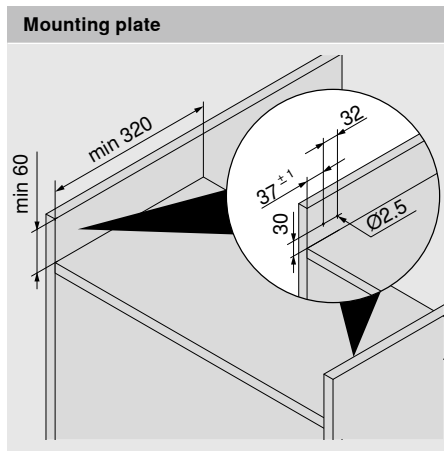
-			
	<b>Power supply unit housing</b>		
	Back panel/wall fixing		
	<b>Colour</b>	<b>Material</b>	
	WGR	K	Z10NG120
For SERVO-DRIVE power supply unit			

### Accessories

-			
	<b>Cable holder</b>		
	<b>Colour</b>	<b>Material</b>	
	WS	K	Z10K0009
-			
	<b>Assembly jig</b>		
	<b>Colour</b>	<b>Material</b>	
	GE	K	Z10C500-18
<b>Colour/material</b>			
GE	Yellow	WS	White
K	Nylon	R7037	RAL 7037 dust grey
WGR	White grey	SZ	Black
NI	Nickel plated		

SERVO-DRIVE flex for refrigerators and freezers

Planning



**Blum distance bumper**

Blum distance bumper is required for the refrigerator and freezer door

The Blum distance bumper ensures the required trigger path of 2 mm



**Space requirement and safety distance – power supply unit housing**

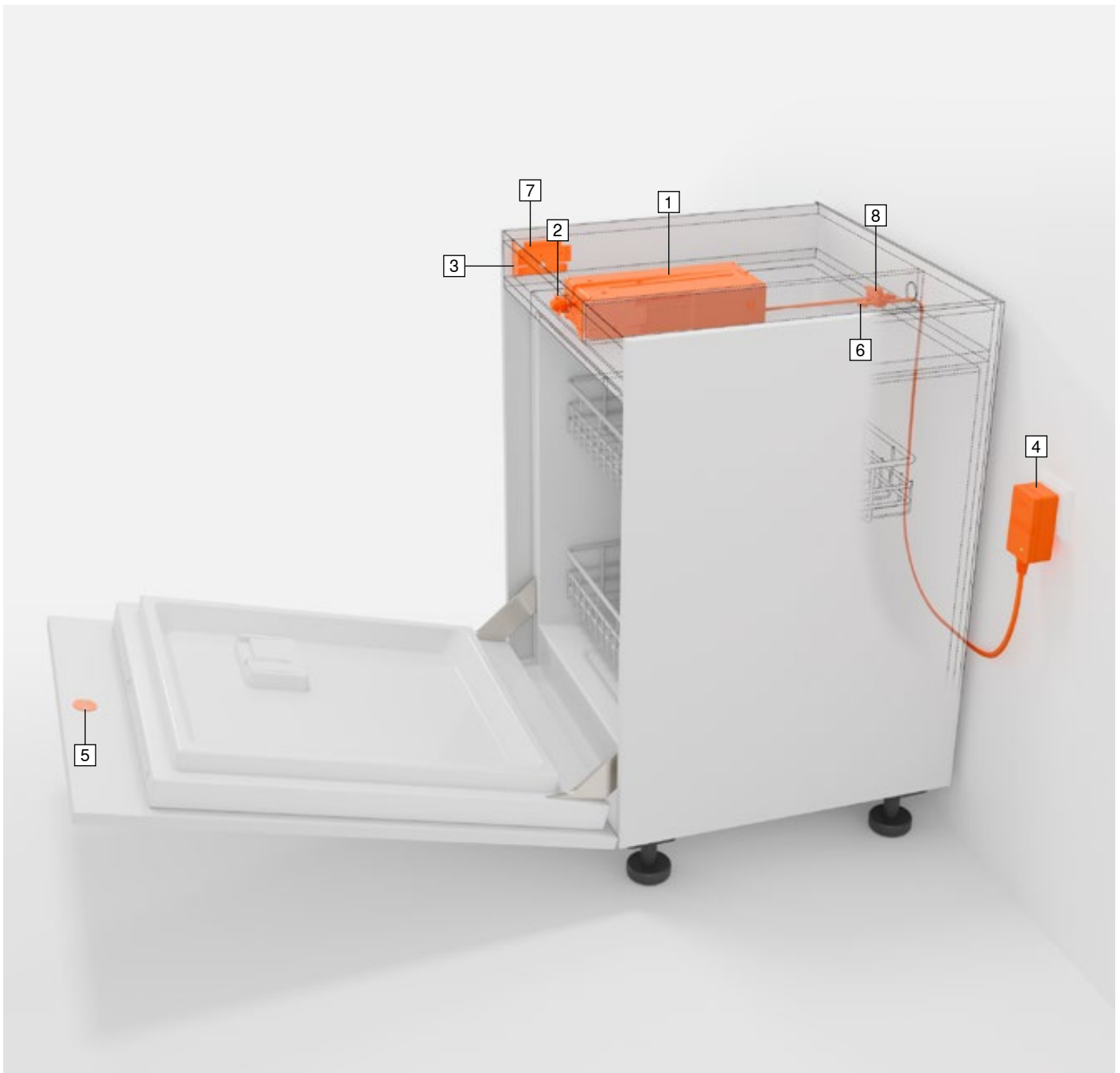
**Base fixing**

**Back panel/wall fixing**

**Please note**

Maintain a safety distance of 30 mm for air circulation. Otherwise there is a risk that the SERVO-DRIVE power supply unit could overheat. The dimensions in the drawing take the safety distance into account.

## SERVO-DRIVE flex for dishwashers



- For all standard built-in dishwashers
- Low recess height (NH) for drive unit of min. 60 mm
- Adaptive system / automatic adjustment of the opening force to the stay close force of the appliance door
- Lean protection feature
- Trigger safety
- Adjustable stay open time (2.5 sec, 4 sec, 8 sec)
- Easy installation with LED feedback on the correct installation depth
- Application option dependent on device type, and worktop and plinth height; see Planning
- Not suitable for dishwashers without own cabinet, with self-opening system, with child safety latch or with automatic self-closing system

SERVO-DRIVE flex for dishwashers

Ordering information

	<b>1 Drive unit</b>				
	Colour	Material			
	TGR	K	Z10C5000.01		
	<b>2 Front cover</b>				
	Colour	Material			
	TGR	K	Z10C5009		
	<b>3 Front fixing</b>				
	Colour	Material			
	TGR	K	Z10C5006		
	<b>- Blum distance bumper</b>				
	Colour	Material			
	TGR	K			
	Ø 5 mm		993.0530		
<b>4 SERVO-DRIVE plug-in power supply unit</b>					
Only suitable for one drive unit					
Market	Language package		Market	Language package	
E	A	Z10NA40EA	E	F	Z10NA40EF
E	B	Z10NA40EB	B	A	Z10NA40BA
E	C	Z10NA40EC	K	I	Z10NA40KI
E	D	Z10NA40ED	N	H	Z10NA40NH
E	E	Z10NA40EE	U	G	Z10NA40UG
Item available on request					
<b>Consisting of:</b>					
-	1 x	SERVO-DRIVE plug-in power supply unit Incl. cable, 1120 mm (with SERVO-DRIVE distribution cable extendible to max. 2000 mm) Incl. operating and installation instructions			

Markets and language packages

Name	
Markets	Language packages*
<b>E</b> Europa	<b>A</b> DE, EN, FR, IT, NL
<b>B</b> GB	<b>B</b> DA, EN, FI, NO, SV
<b>K</b> AU	<b>C</b> EL, EN, HR, SL, SR, TR
<b>N</b> CN	<b>D</b> EN, ES, FR, IT, PT
<b>U</b> US   CA   JP	<b>E</b> CS, HU, PL, SK
	<b>F</b> BG, ET, LV, LT, RO, RU, GB
	<b>G</b> EN, ES, FR
	<b>H</b> EN, ZH, KO
	<b>I</b> EN

\* Language descriptions as per ISO-639

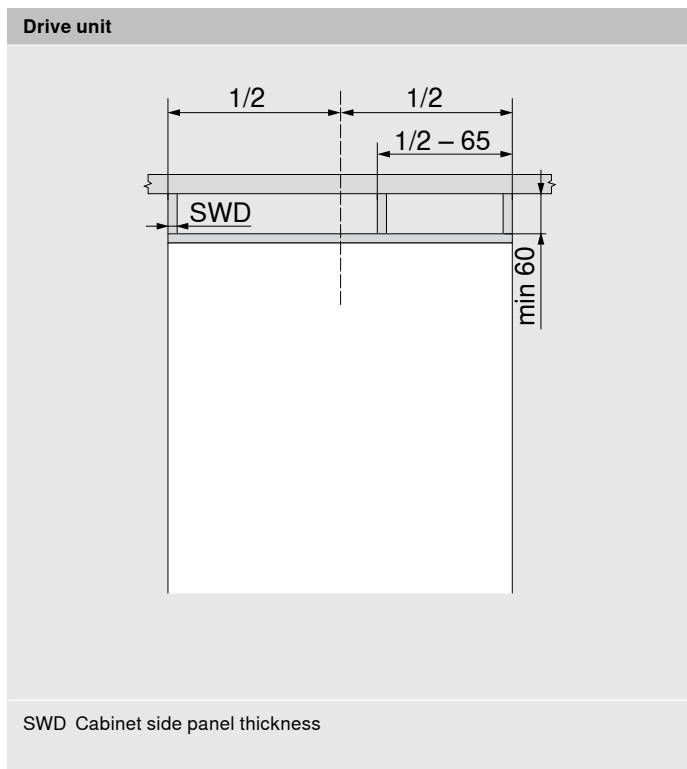
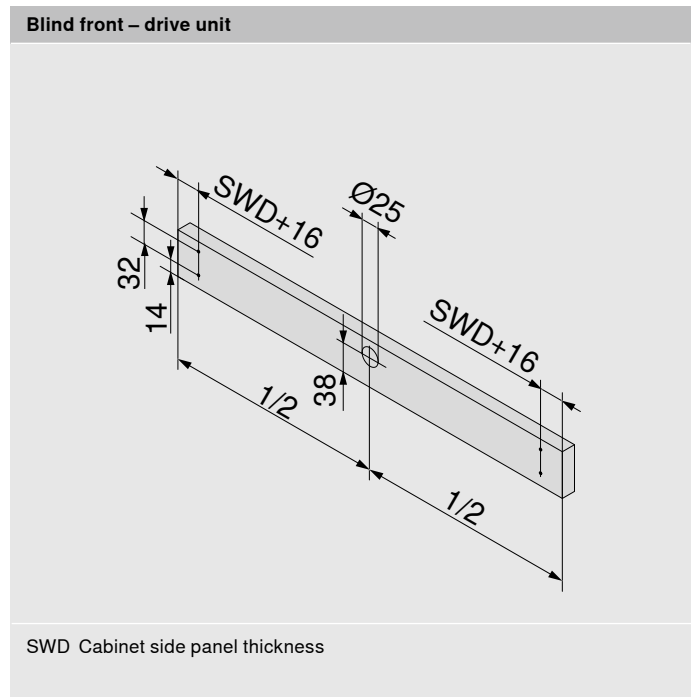
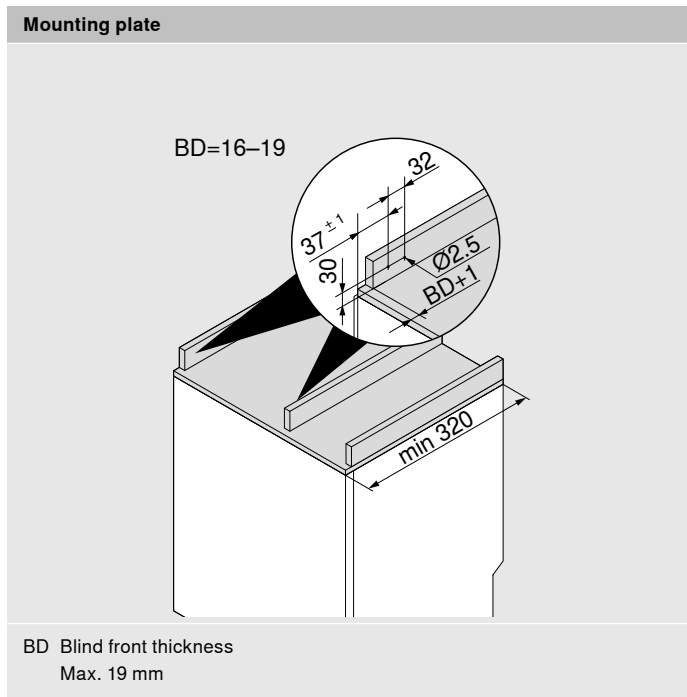
	<b>5 Catch plate</b>		
	Colour	Material	
	NI	Steel	Z10C5004
	<b>6 Cable end protector</b>		
	Colour	Material	
	TGR	K	Z10K0008
	<b>7 Mounting plate</b>		
	Colour	Material	
	TGR	K	Z10C5005
	<b>- Chipboard screws</b>		
	Colour	Material	
	NI	Steel	609.1500
	<b>8 Connecting node</b>		
	Colour	Material	
	SZ	K	Z10V1000.01

Accessories

	<b>- Cable holder</b>		
	Colour	Material	
	WS	K	Z10K0009
	<b>- SERVO-DRIVE distribution cable</b>		
	Colour	Material	
	SZ	K	
	Length 6000 mm		Z10K600A
For cutting to size			
<b>Colour/material</b>			
K	Nylon	WS	White
NI	Nickel plated	TGR	Dark grey
SZ	Black		

SERVO-DRIVE flex for dishwashers

Planning



## Assembly devices

### Drilling template for Blum distance bumper

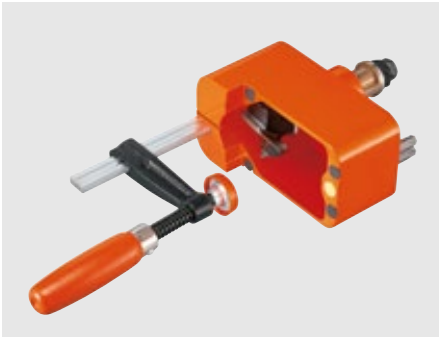


- Template for bumper drilling on the unattached and attached front

#### Ordering information

ZML.1090

### Drilling template for the SERVO-DRIVE switch



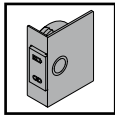
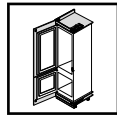
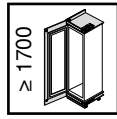
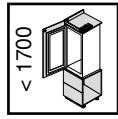
- Simple hand-held tool for drilling accurate holes for the SERVO-DRIVE switch attachment
- Hand drill required

#### Ordering information

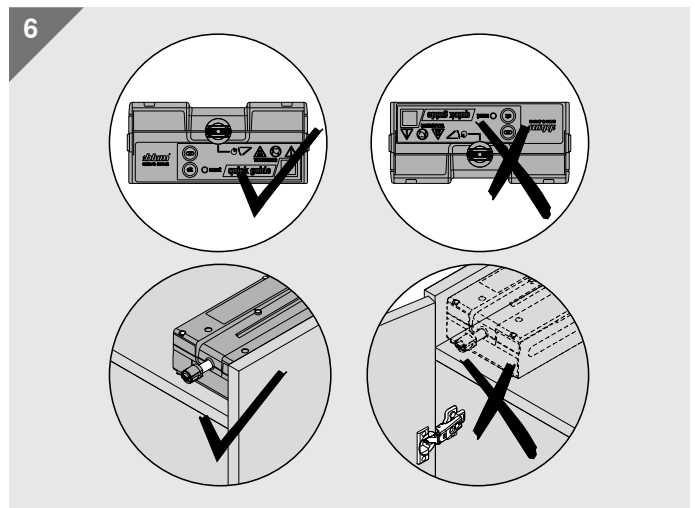
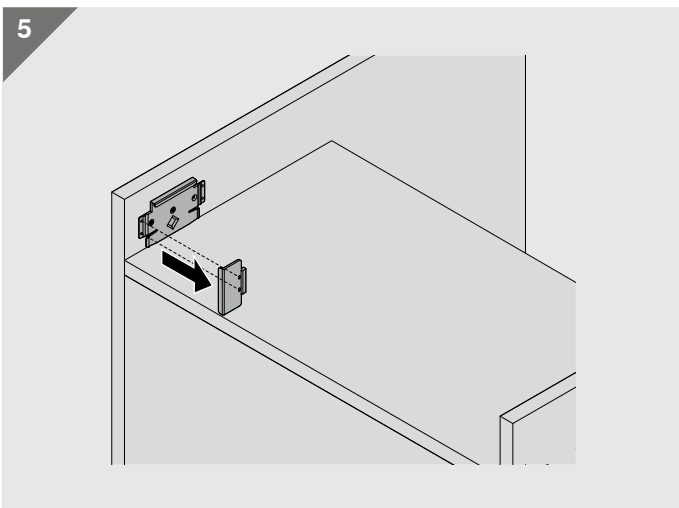
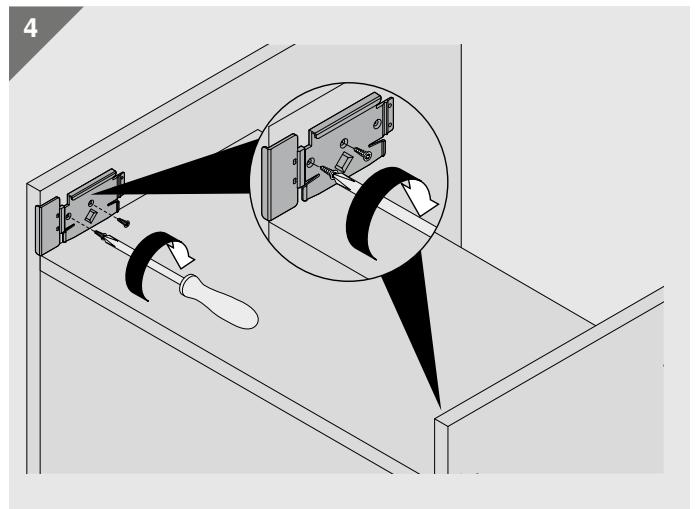
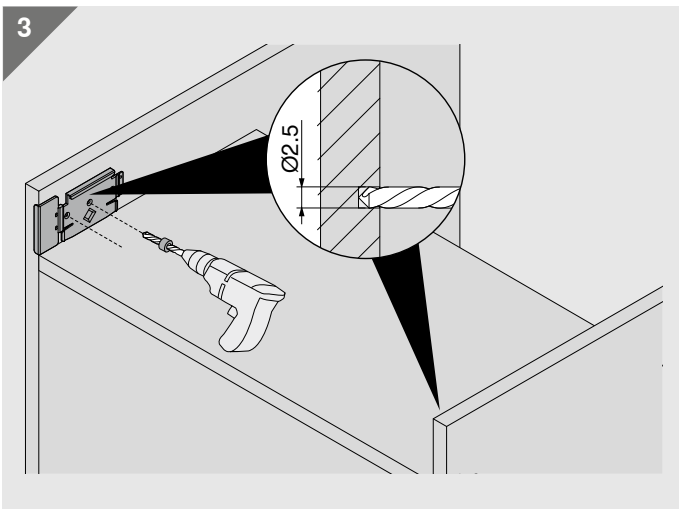
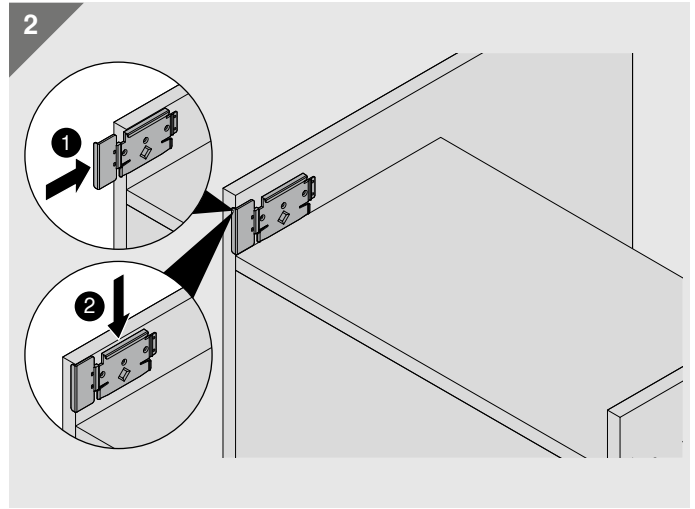
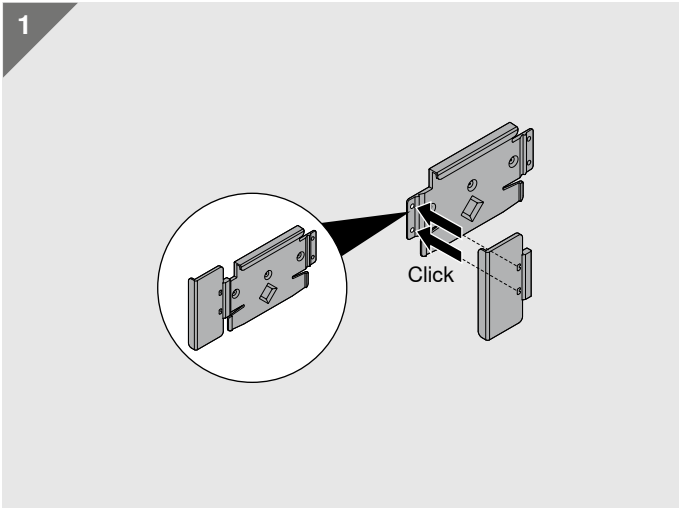
M31.2000

SERVO-DRIVE flex for refrigerators and freezers

Assembly

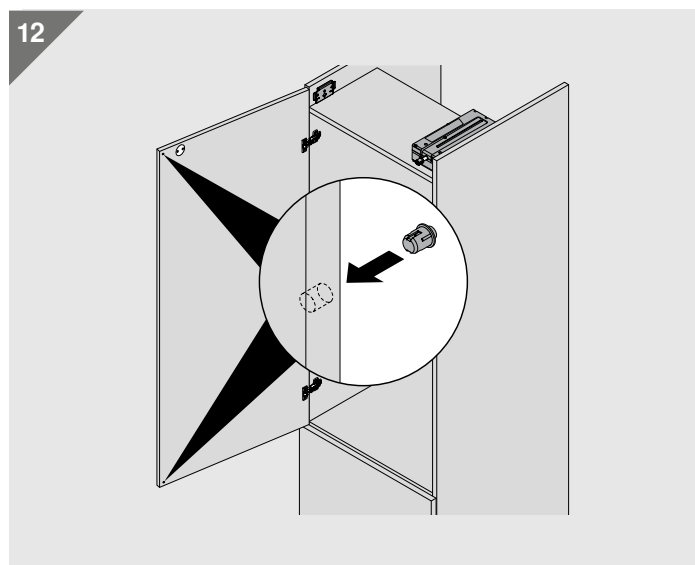
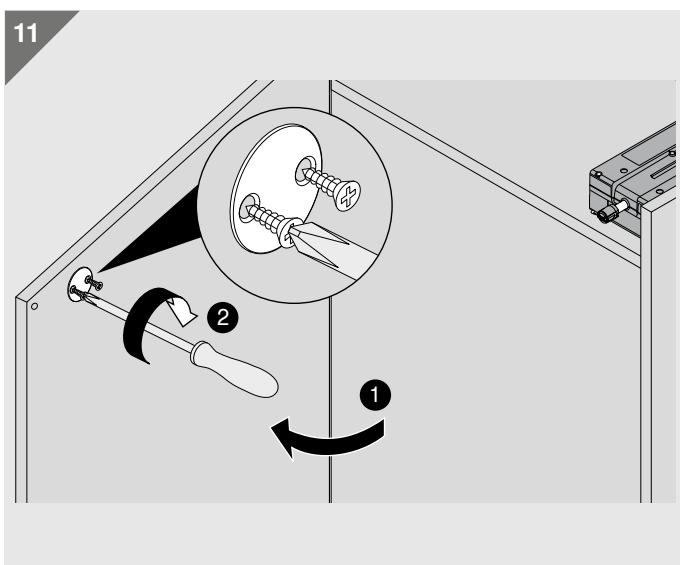
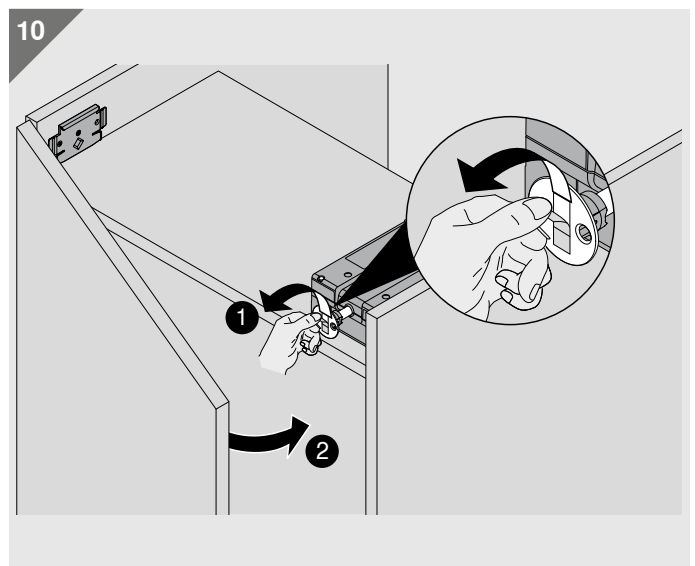
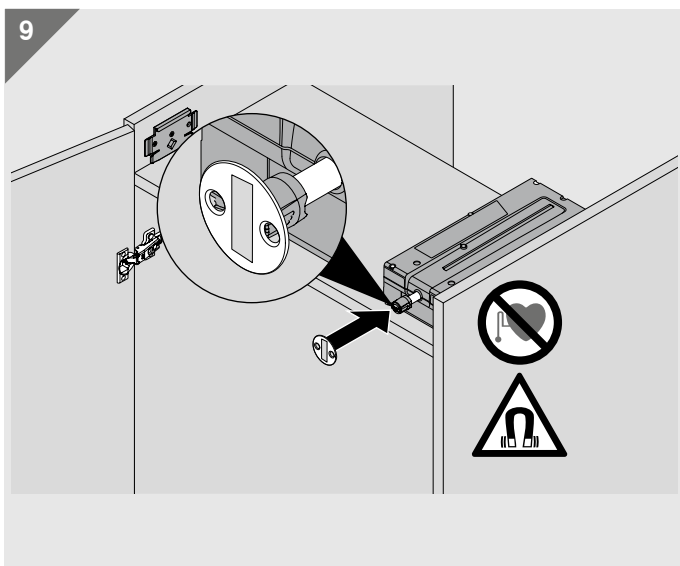
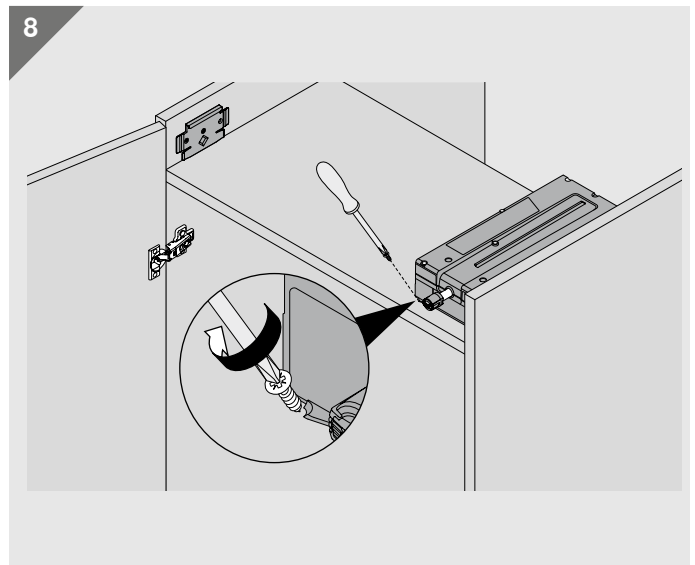
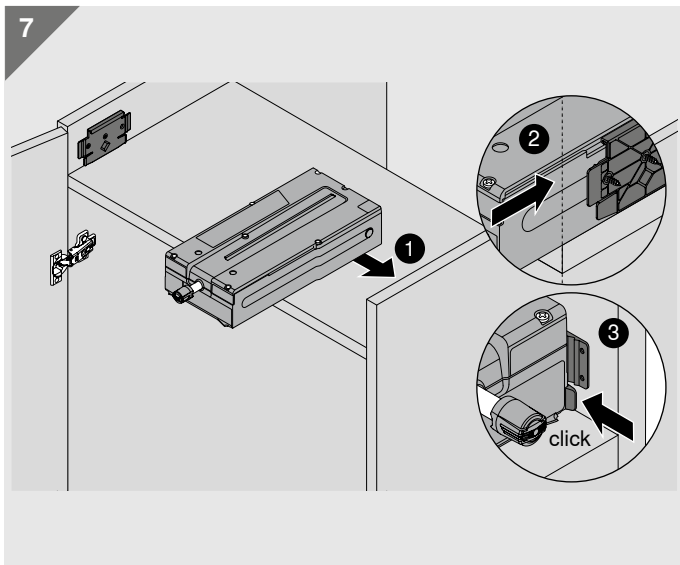


[www.blum.com/sdflex\\_videos](http://www.blum.com/sdflex_videos)



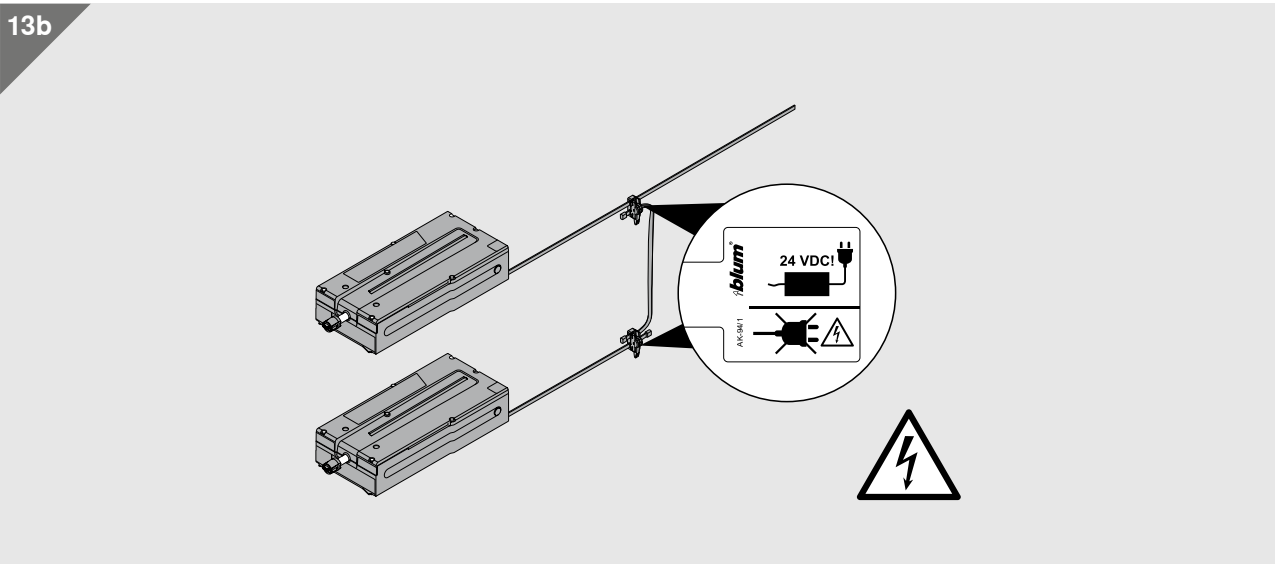
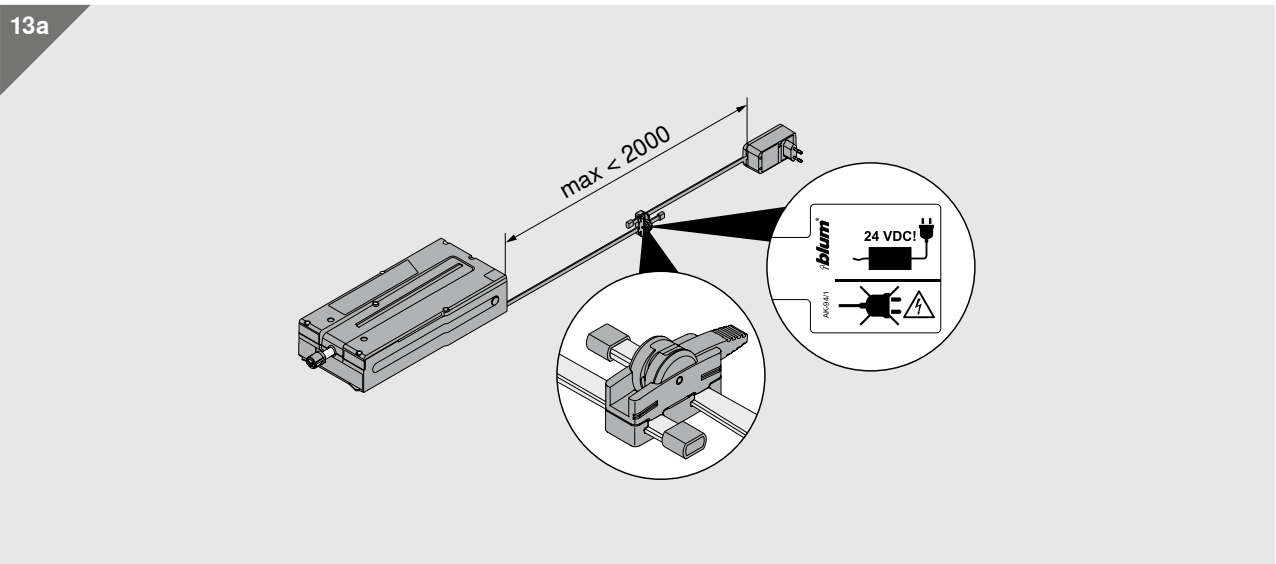
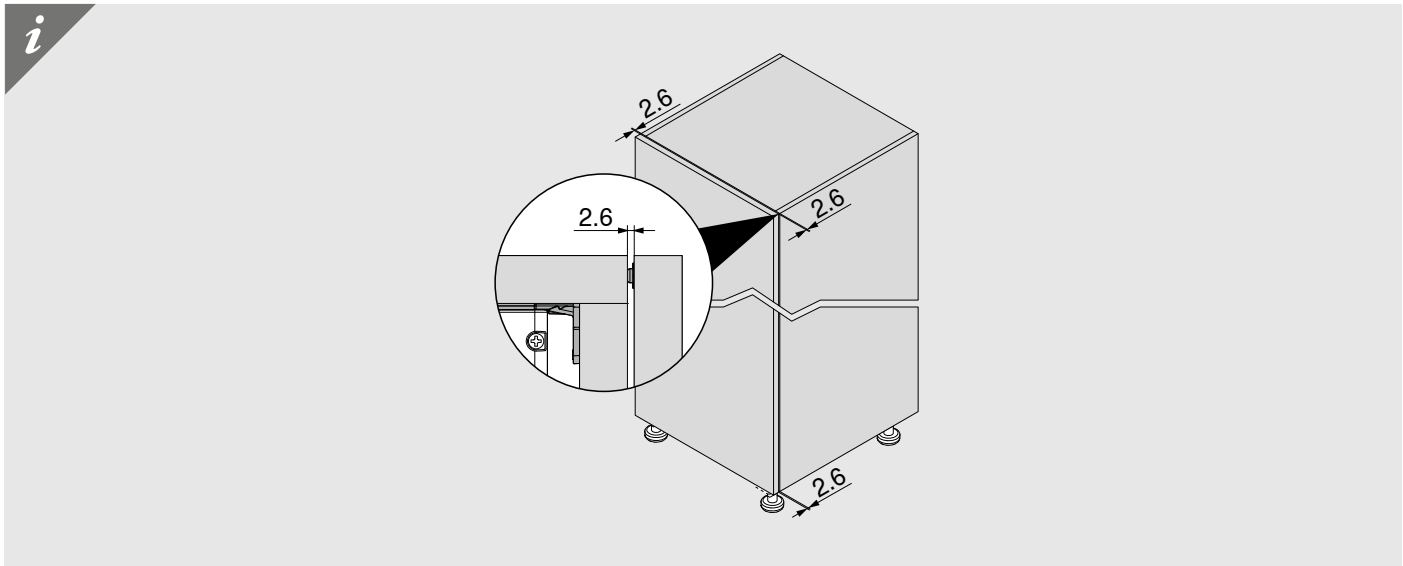
SERVO-DRIVE flex for refrigerators and freezers

Assembly



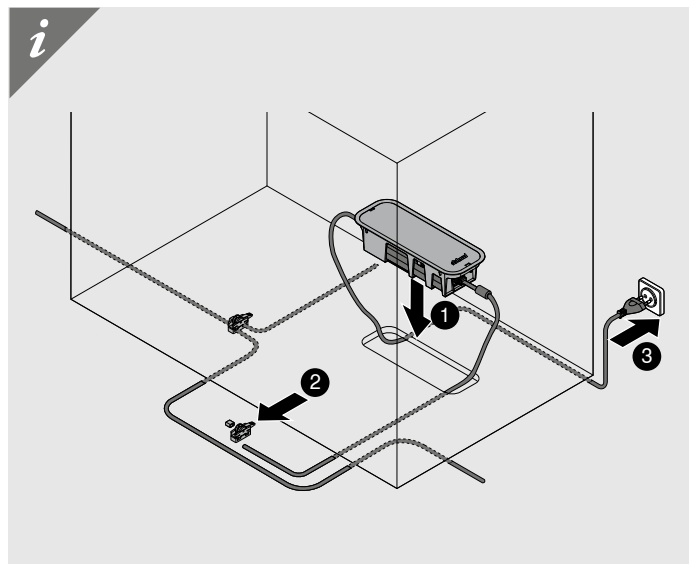
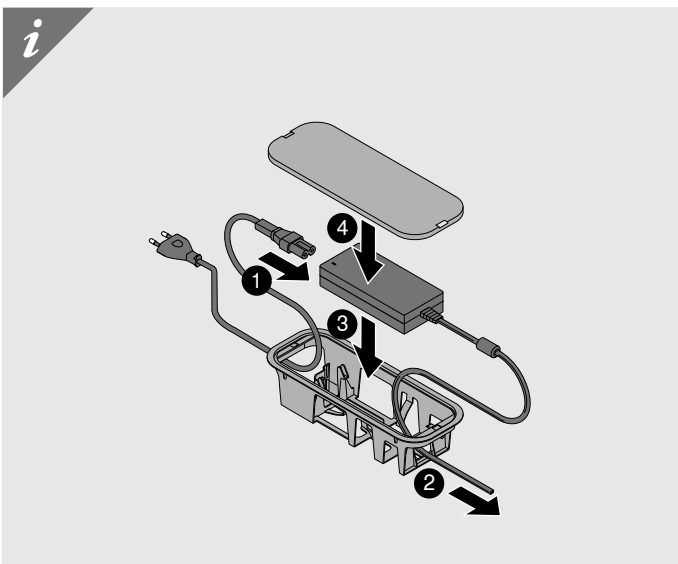
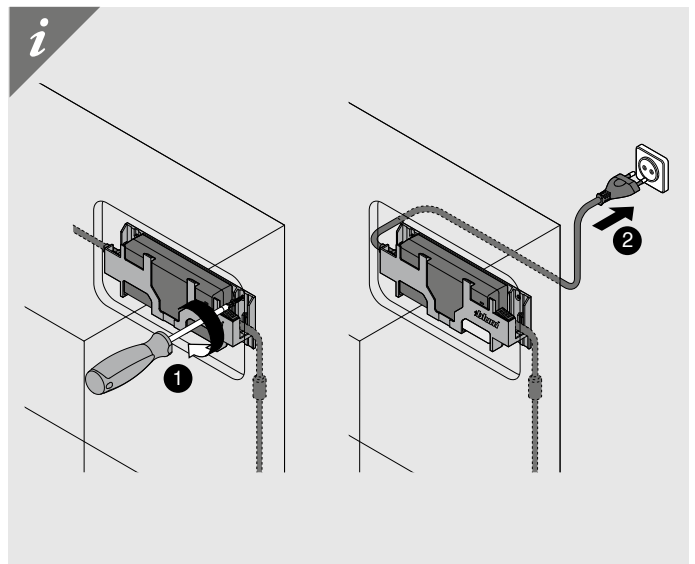
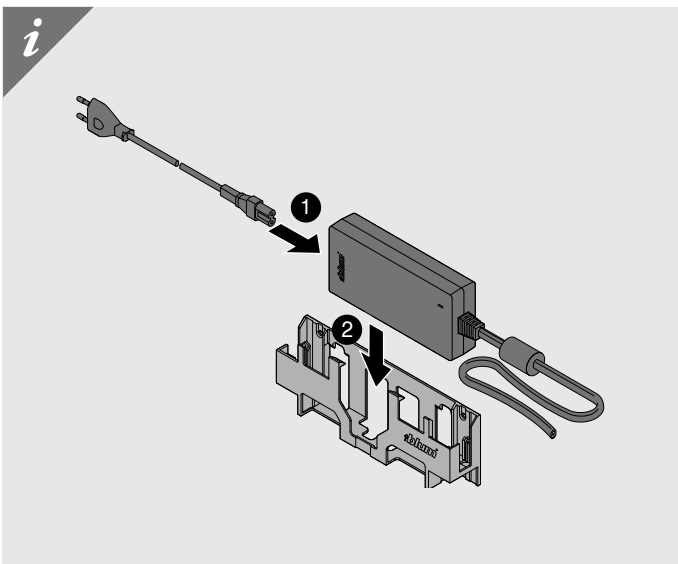
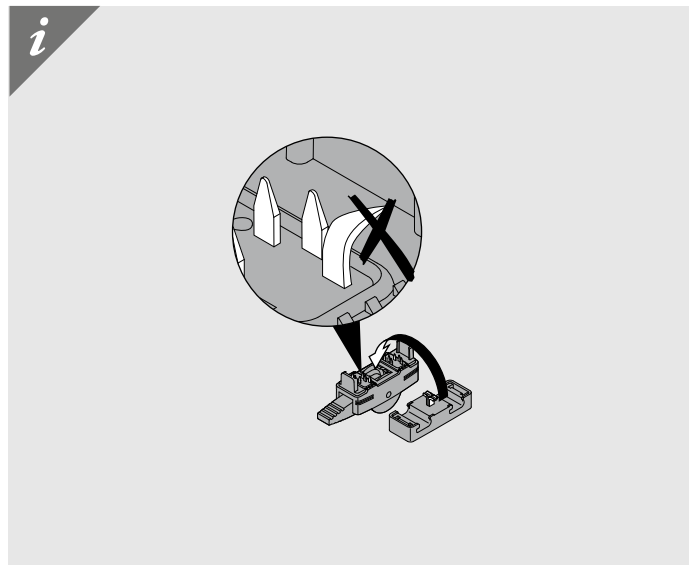
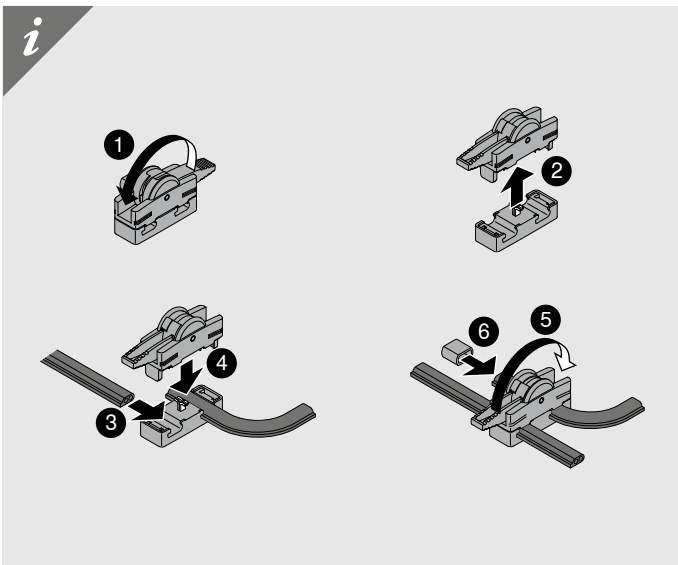
SERVO-DRIVE flex for refrigerators and freezers

Assembly



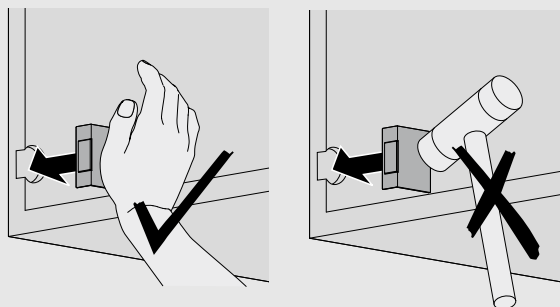
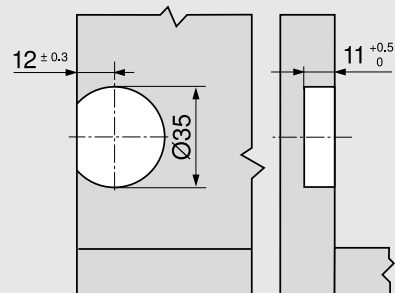
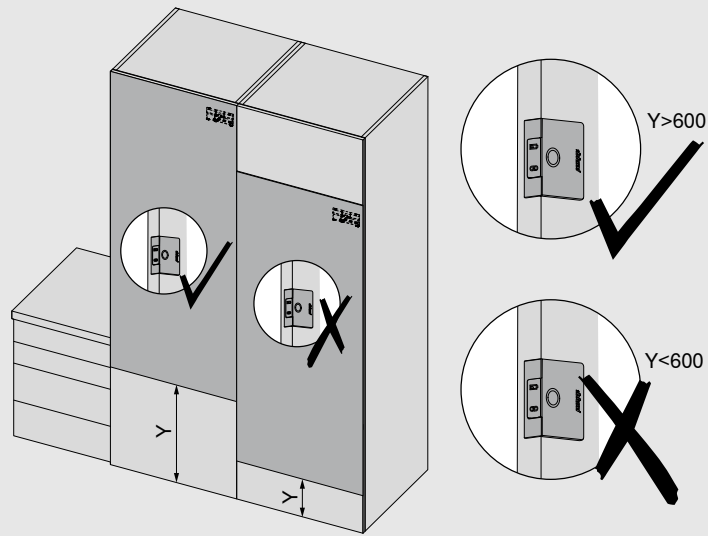
SERVO-DRIVE flex for refrigerators and freezers

Assembly



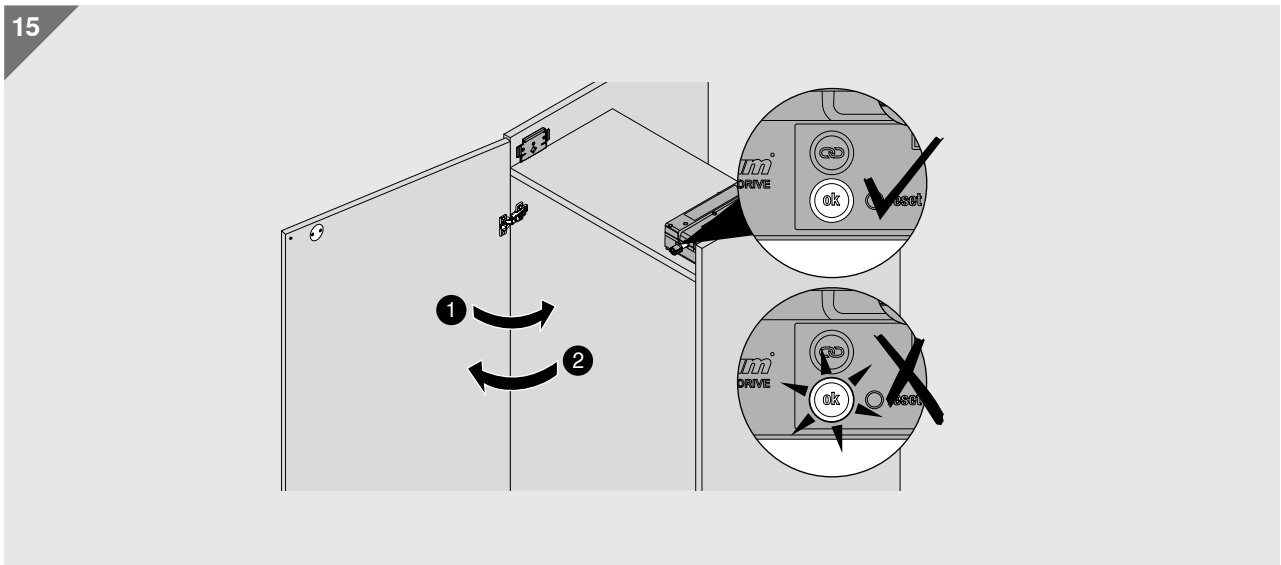
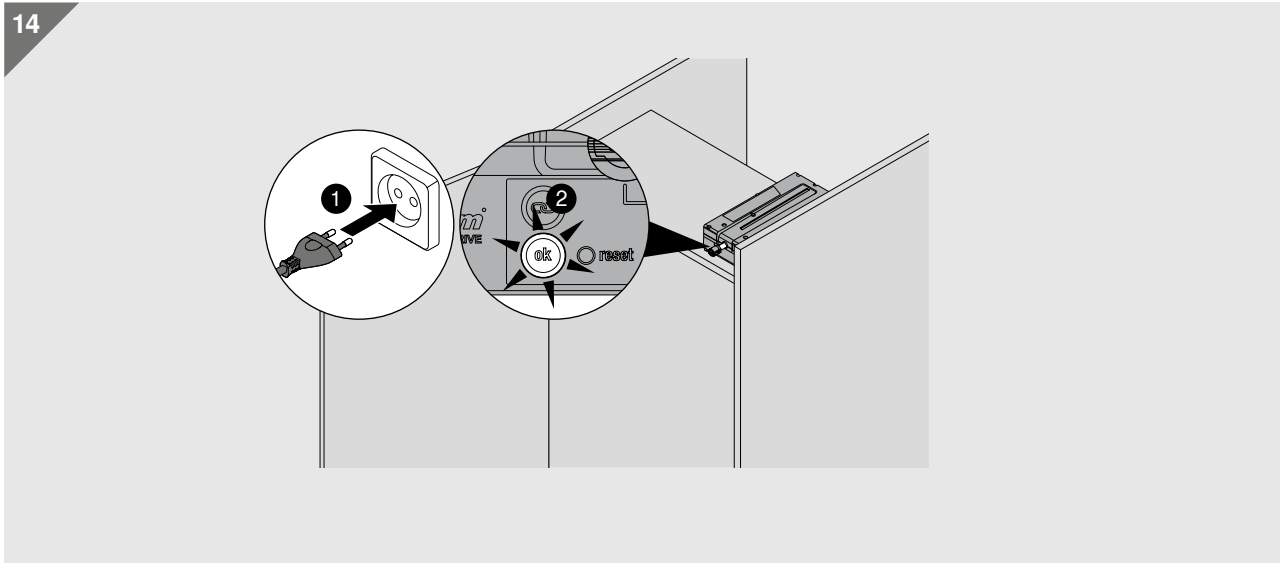
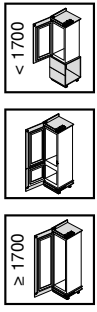
SERVO-DRIVE flex for refrigerators and freezers

Assembly



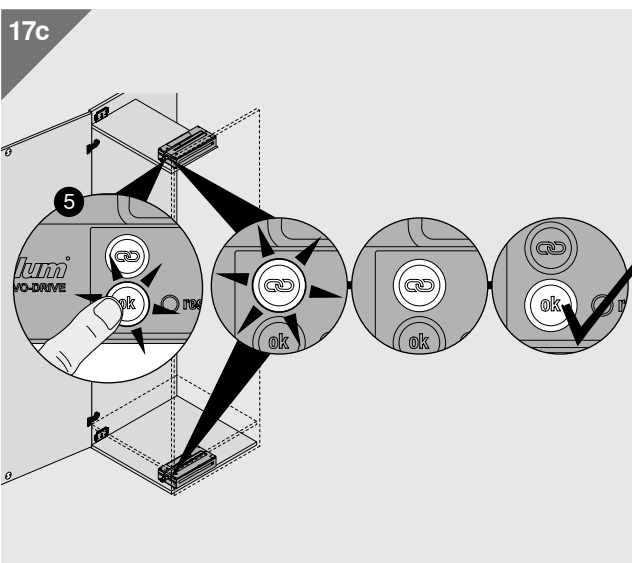
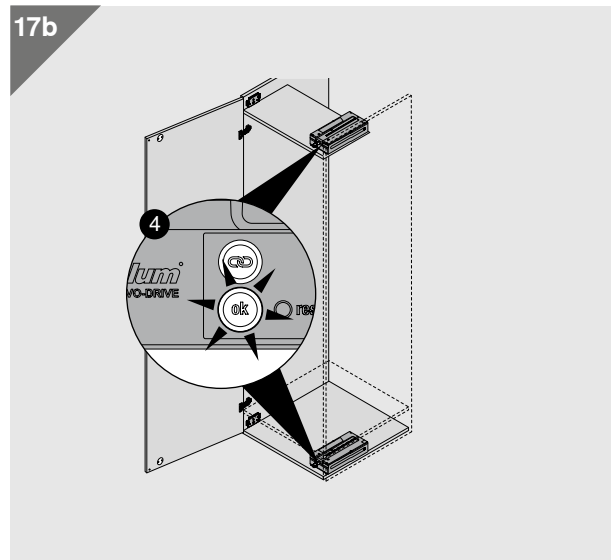
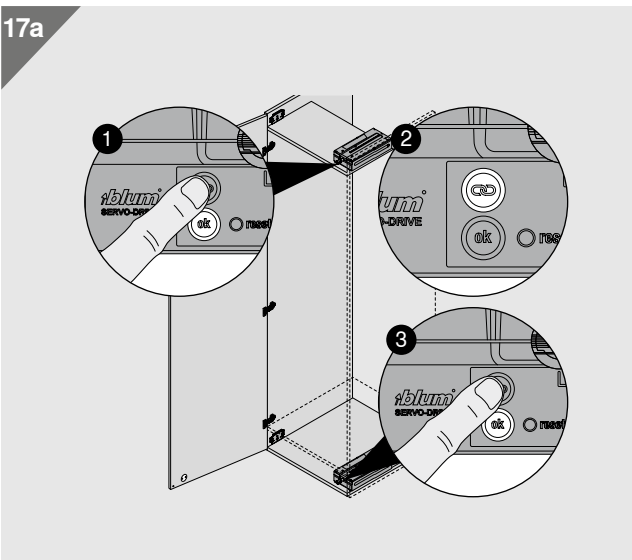
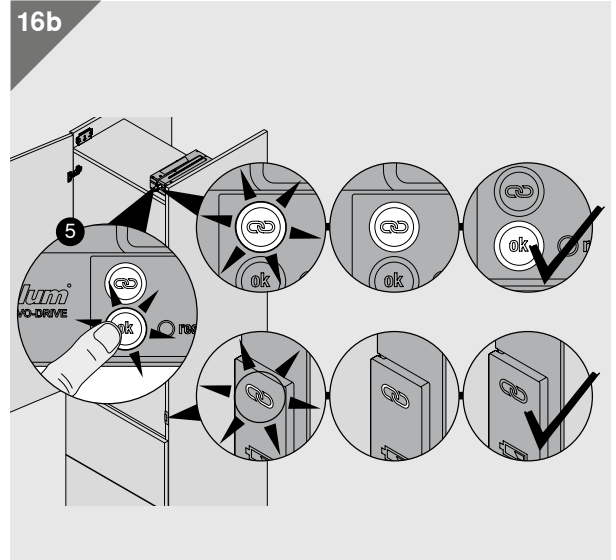
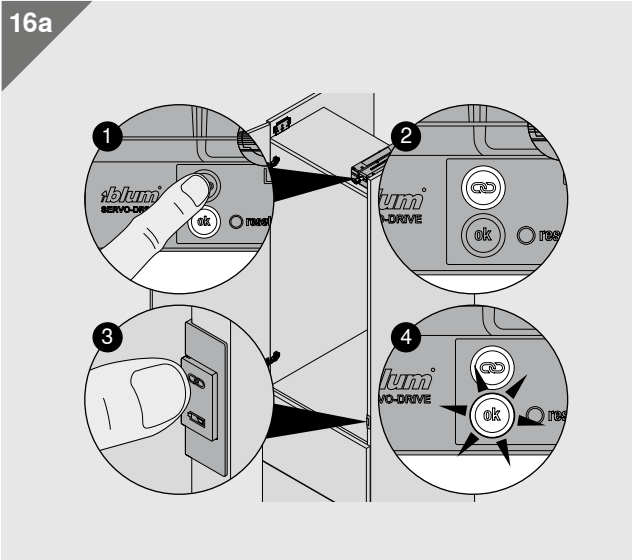
SERVO-DRIVE flex for refrigerators and freezers

Assembly



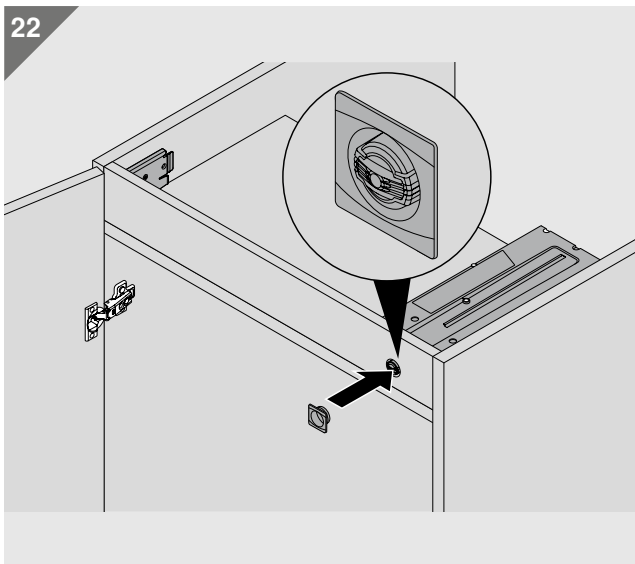
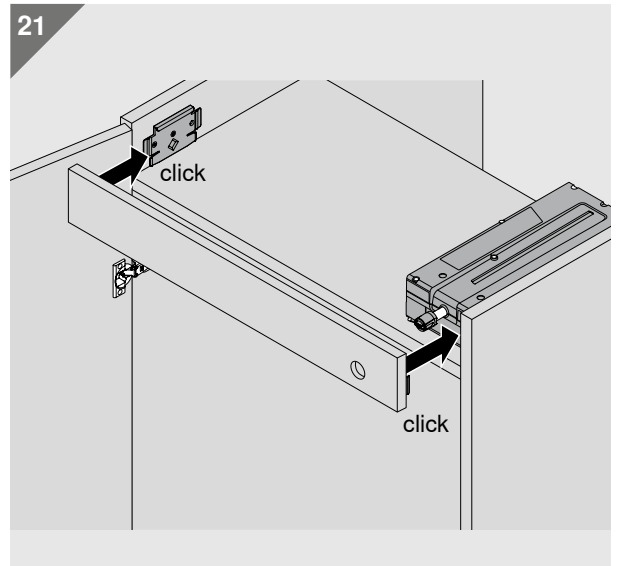
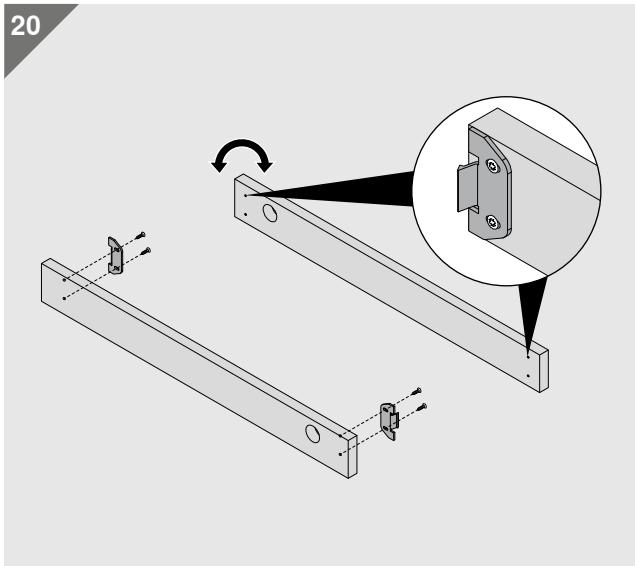
SERVO-DRIVE flex for refrigerators and freezers

Assembly



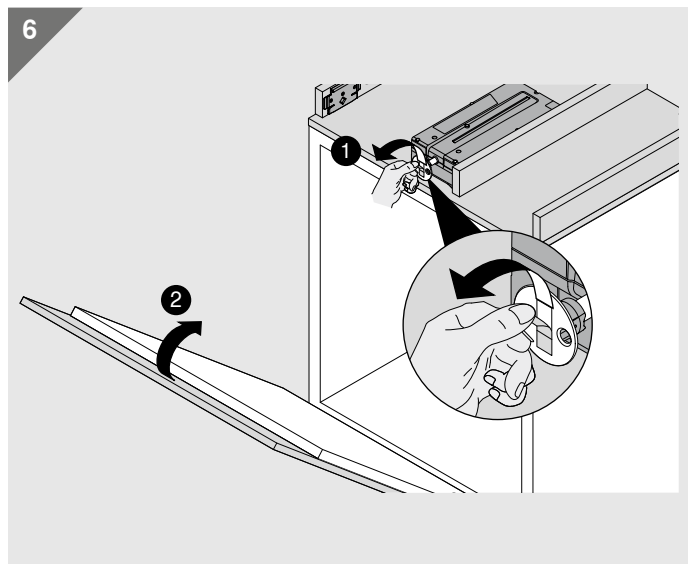
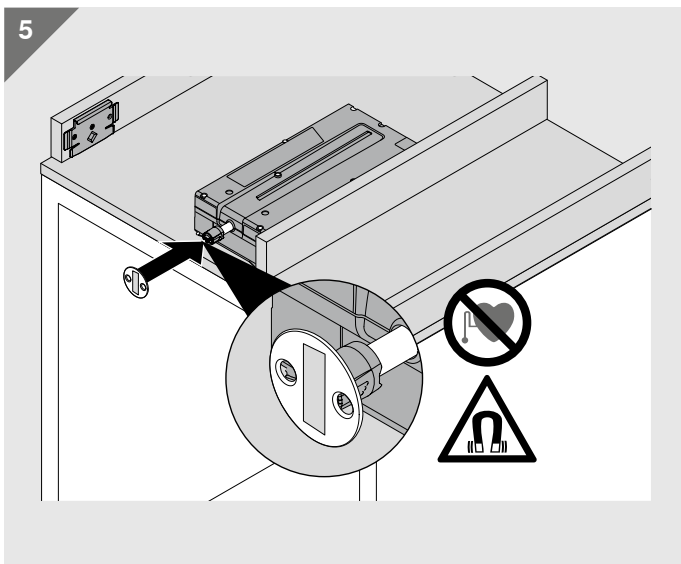
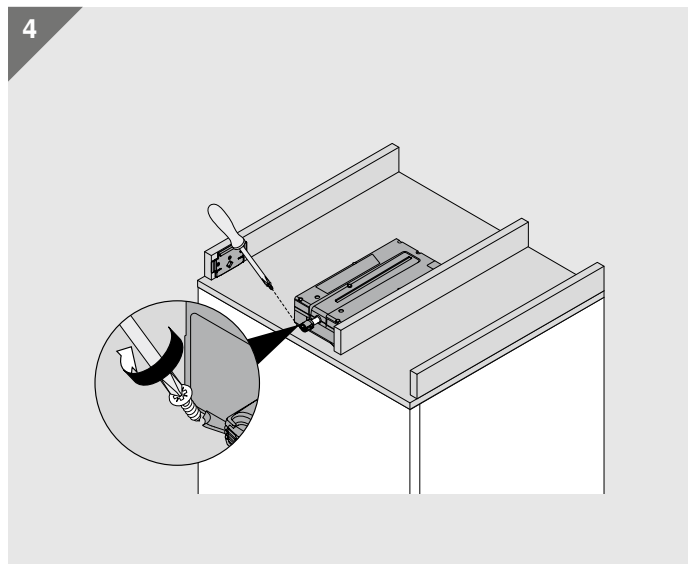
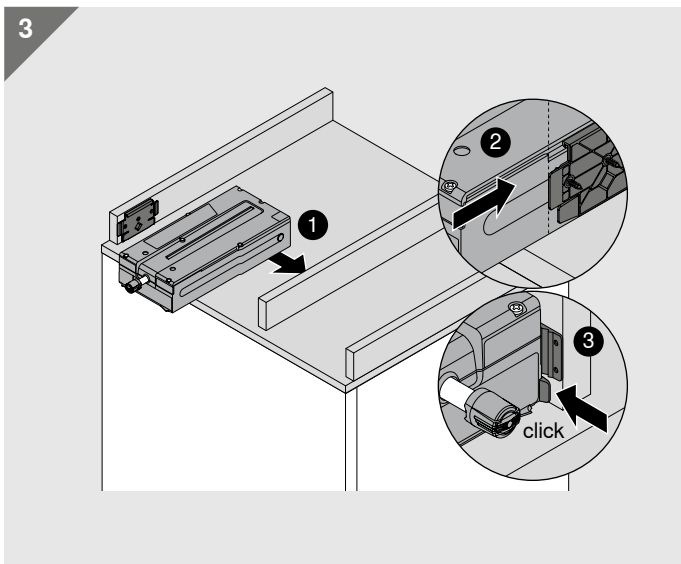
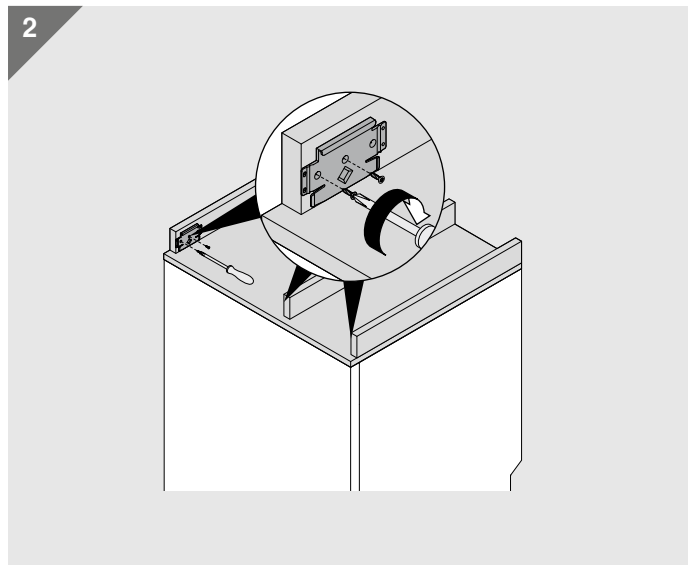
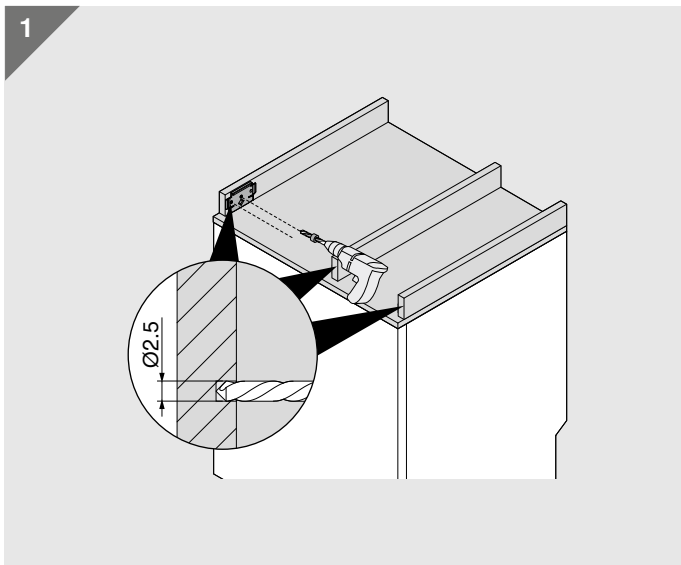
SERVO-DRIVE flex for refrigerators and freezers

Assembly



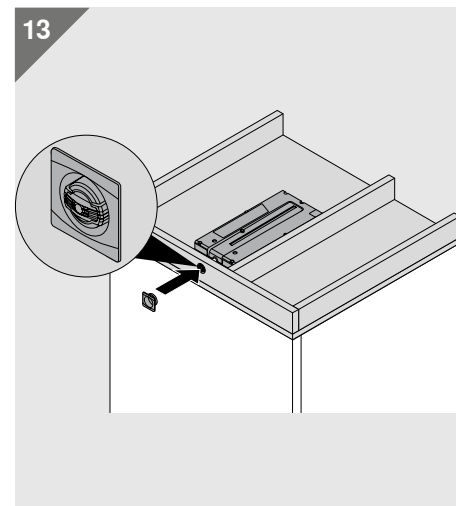
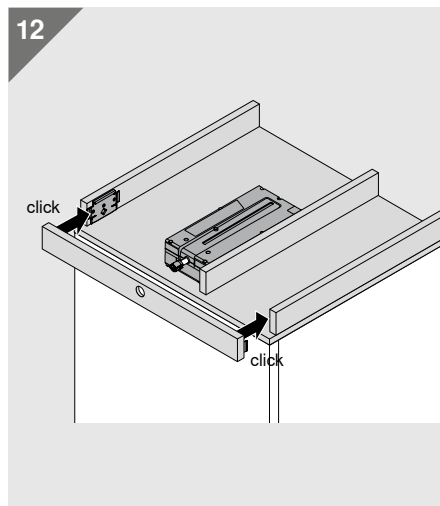
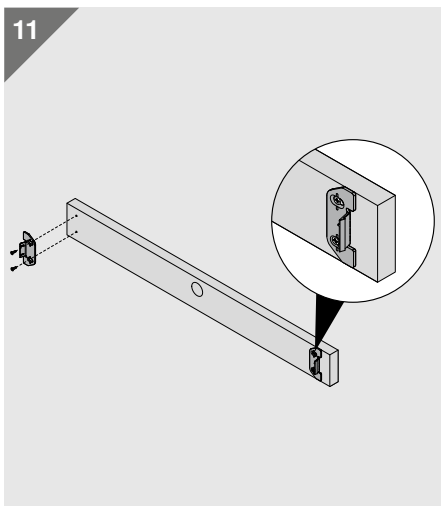
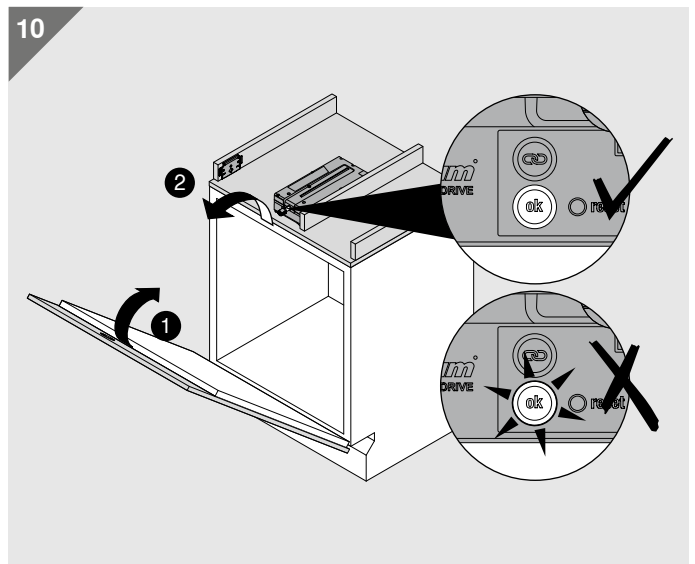
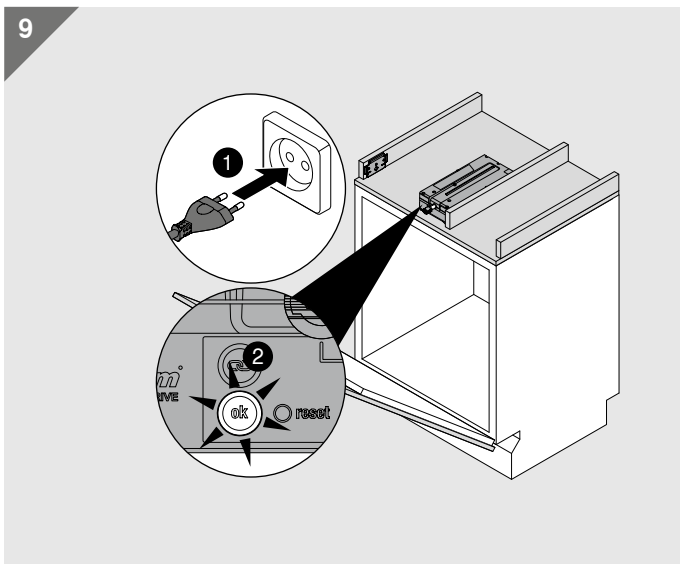
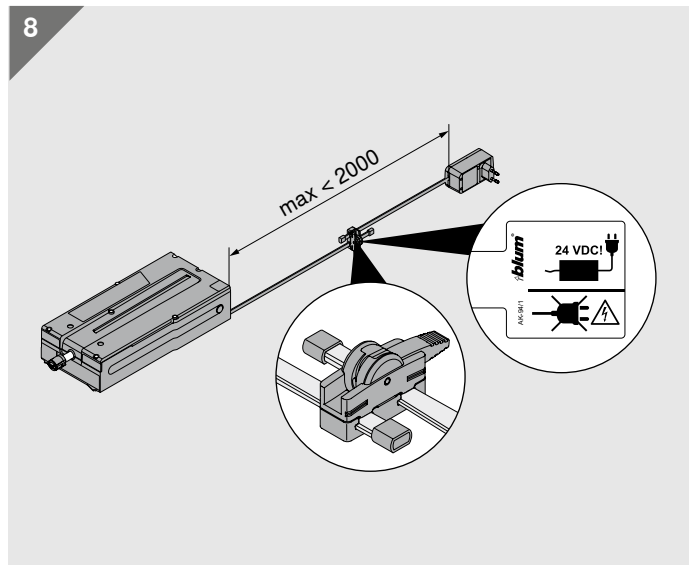
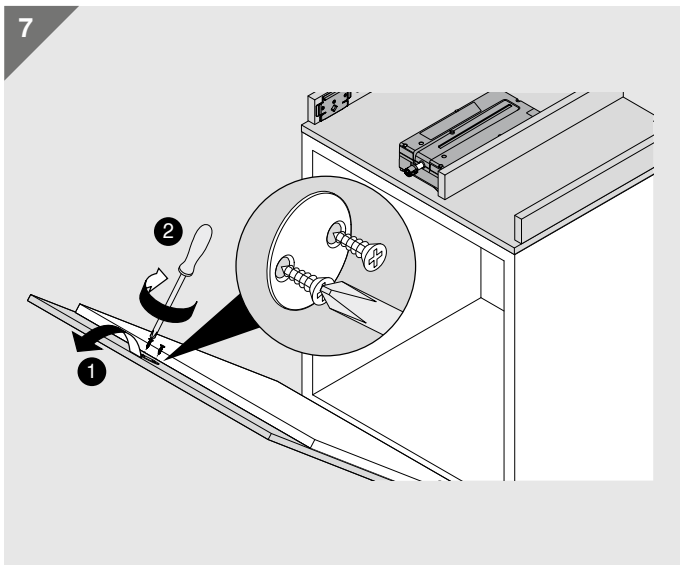
SERVO-DRIVE flex for dishwashers

Assembly



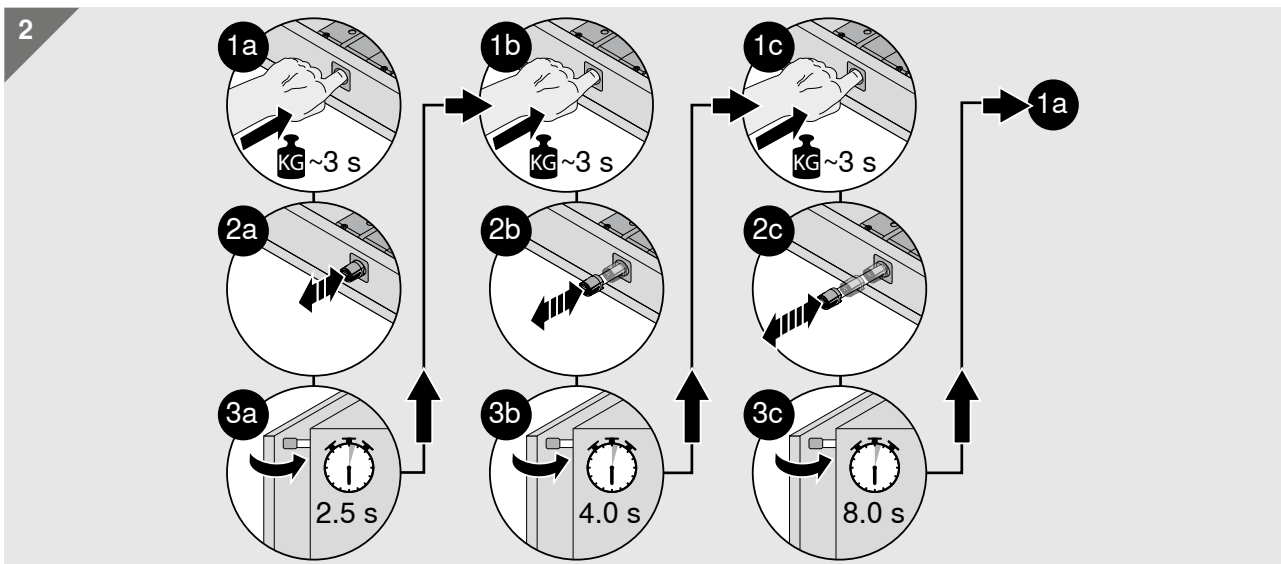
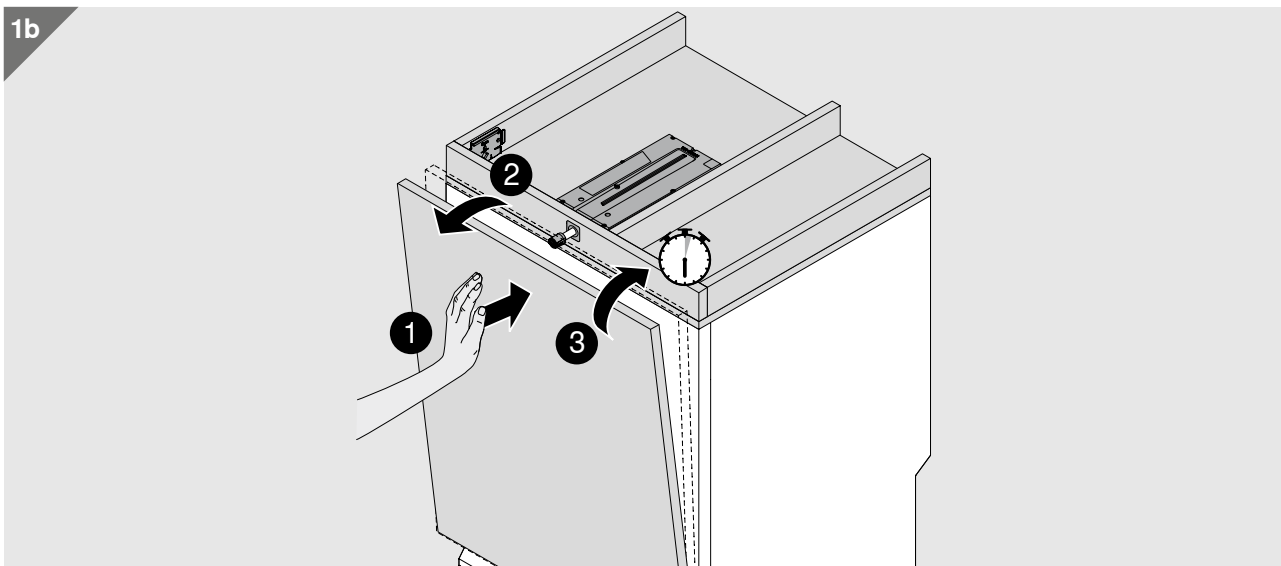
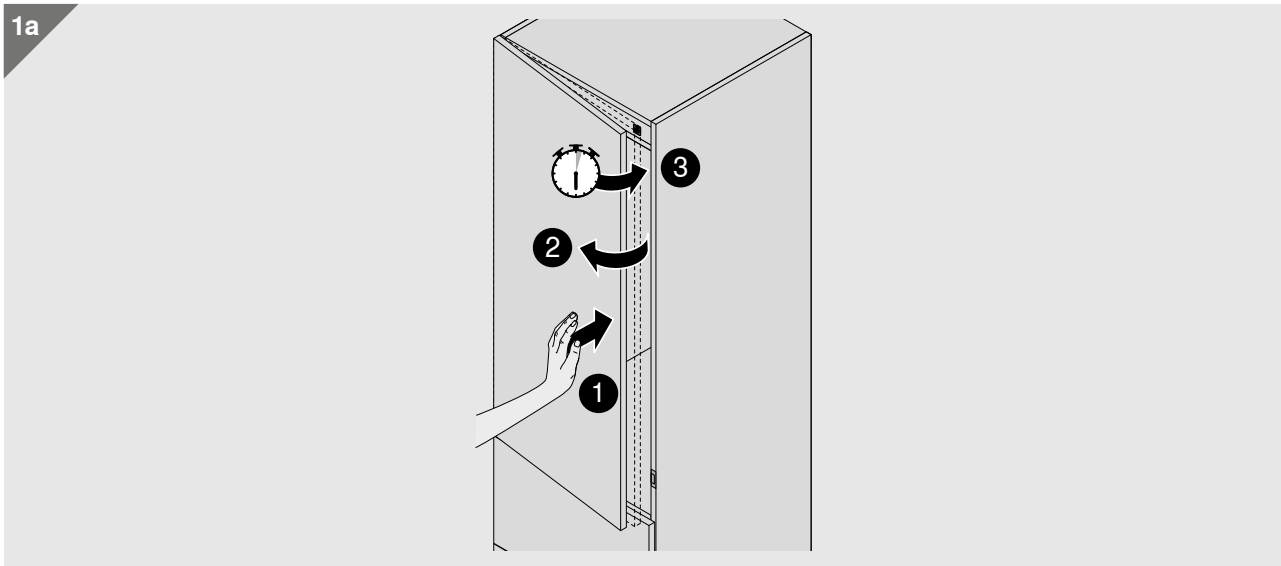
SERVO-DRIVE flex for dishwashers

Assembly



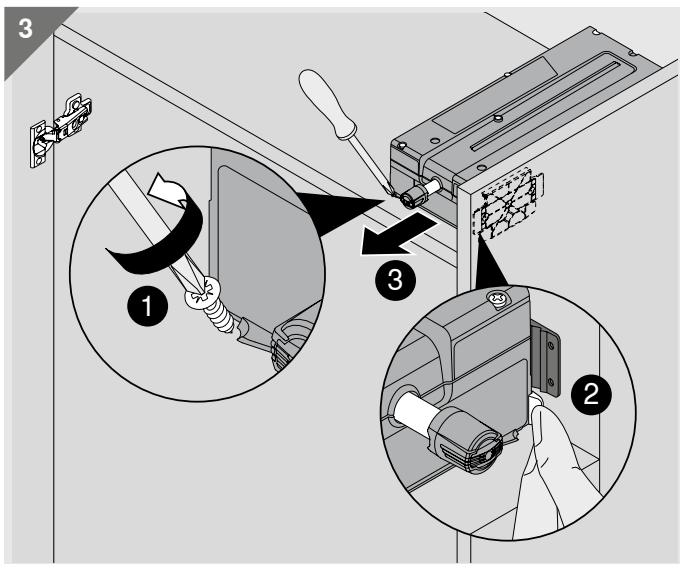
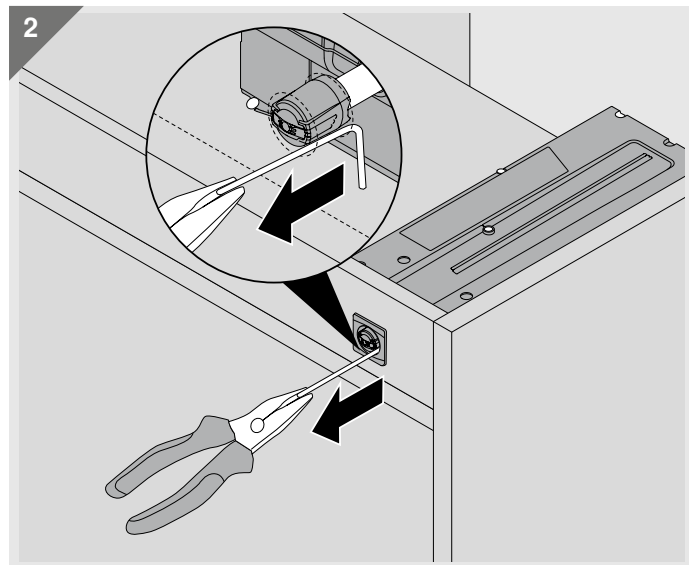
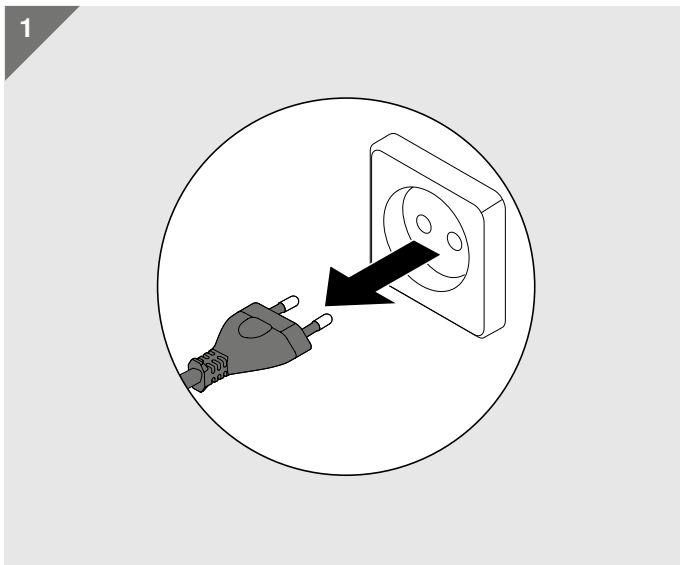
SERVO-DRIVE flex

Reset



## SERVO-DRIVE flex

## Removal



Julius Blum GmbH  
6973 Höchst, Austria  
Tel.: +43 5578 705-0  
Fax: +43 5578 705-44  
E-mail: [info@blum.com](mailto:info@blum.com)  
[www.blum.com](http://www.blum.com)

Our sites in Austria, Poland and China are certified to the international standards mentioned below.  
Our site in the USA is certified to ISO 9001.  
Our site in Brazil is certified to ISO 9001, ISO 14001 and ISO 45001.



**ISO 9001**  
Certified Quality  
System



**ISO 14001**  
Certified Environmental  
System



**ISO 50001**  
Certified Energy  
System

 **blum**®



Look for our  
FSC™-certified  
products

All content is copyrighted by Blum.  
Subject to technical modifications and changes to the range without notice.  
TD-077/12 EN-AL/05.25