

The image shows three black, rectangular office furniture components, likely desk organizers or storage units, arranged on a dark surface. The components are made of a dark material, possibly metal or high-quality plastic, and feature a grid-like structure. They are set against a background of large, arched windows in a bright, airy room. The lighting is soft and natural, highlighting the clean lines and functional design of the furniture.

AMBIA-LINE

Organisation at its best

Technical data sheet

www.blum.com

 **blum**[®]

Material and colour





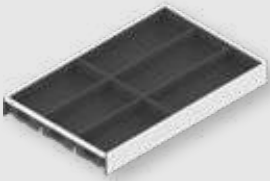
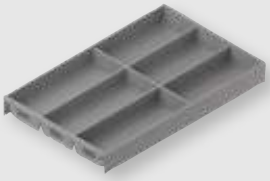
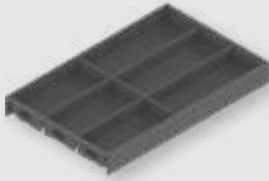

Steel design



More information on AMBIA-LINE

www.blum.com/ambialine

Colours

<p>SW-M</p> <p>Silk white matt</p> 	<p>IG-M</p> <p>Indium grey matt</p> 	<p>OG-M</p> <p>Orion grey matt</p> 	<p>TS-M</p> <p>Terra black matt</p> 
<p>SW-M / OG-M</p> <p>Silk white matt / Orion grey matt</p> 	<p>IG-M</p> <p>Indium grey matt</p> 	<p>OG-M</p> <p>Orion grey matt</p> 	<p>TS-M</p> <p>Terra black matt</p> 

Material and colour

Wood design



More information on AMBIA-LINE

www.blum.com/ambialine

Colours



Cutlery insert

Steel design



- Powder-coated steel frame in silk white matt, indium grey matt, orion grey matt, terra black matt
- Containers with a Softtouch coating in indium grey matt, orion grey matt, terra black matt
- Resistant, noise-reducing surface
- Can be combined with filler trays
- Can be positioned as desired and provides a secure hold
- Suitable for LEGRABOX and MERIVOBX drawers, height M and K
- Can be used for nominal lengths of 450–650 mm
- Frame height 50 mm

Ordering information

Cutlery insert							
	NL (mm)	Width (mm)	Units	SW-M / OG-M	IG-M	OG-M	TS-M
	450	300	1	ZC7S450BS3			
	500	300	1	ZC7S500BS3			

Adapter box							
	NL (mm)	Width (mm)	Units	SW-M / OG-M	IG-M	OG-M	TS-M
	100	300	1	ZC7S100AS3			

Cutlery insert and adapter boxes – set							
	NL (mm)	Width (mm)	Units	SW-M / OG-M	IG-M	OG-M	TS-M
	550	300	1	ZC7S550BS3			
	600	300	1	ZC7S600BS3			
	650	300	1	ZC7S650BS3 *			
	* Not available in indium grey matt						

NL Nominal length


Drawer frame

Steel design

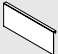


- Powder-coated steel frame in silk white matt, indium grey matt, orion grey matt, terra black matt
- Elegant, slim design
- Can be positioned as desired and provides a secure hold
- Adjustable cross dividers appropriate for the storage item, tool-free adjustment in the hole pattern
- Optional dispenser and knife holder
- Suitable for LEGRABOX and MERIVOBX drawers, height M and K
- Can be used for nominal lengths of 270–650 mm
- Frame height 50 mm

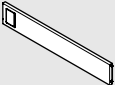
Ordering information

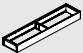
Drawer frame for nominal lengths of 270 mm or more							
	NL (mm)	Width (mm)	Units	SW-M	IG-M	OG-M	TS-M
	270–400	242	1	ZC7S300RSU			

Incl. magnetic panel for connection to the drawer side or steel back


Adapter profile for connection to chipboard back (optional)							
	Height	Width (mm)	Units	SW-M	IG-M	OG-M	TS-M
	M	242	12	ZC7A0U0M			
	K	242	12	ZC7A0U0K			

Recommended for NL 350 mm and higher

Individual cross divider (optional)							
	Height	Width (mm)	Units	SW-M	IG-M	OG-M	TS-M
	50	242	24	ZC7Q0U0SS			

Drawer frame							
	NL (mm)	Width (mm)	Units	SW-M	IG-M	OG-M	TS-M
	450	100	1	ZC7S450RS1			
	500	100	1	ZC7S500RS1			
	550	100	1	ZC7S550RS1			
	600	100	1	ZC7S600RS1			
	650	100	1	ZC7S650RS1 *			


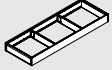
* Not available in indium grey matt

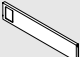
Individual cross divider (optional)							
	Height	Width (mm)	Units	SW-M	IG-M	OG-M	TS-M
	50	100	48	ZC7Q010SS			

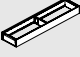

NL Nominal length


Drawer frame

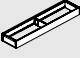

Ordering information


Drawer frame							
	NL (mm)	Width (mm)	Units	SW-M	IG-M	OG-M	TS-M
	450	200	1	ZC7S450RS2			
	500	200	1	ZC7S500RS2			
	550	200	1	ZC7S550RS2			
	600	200	1	ZC7S600RS2			
	650	200	1	ZC7S650RS2 *			
* Not available in indium grey matt							

Individual cross divider (optional)							
	Height	Width (mm)	Units	SW-M	IG-M	OG-M	TS-M
	50	200	24	ZC7Q020SS			

Drawer filler frame (for complete sets)							
For side panel thickness 18/19 mm							
	NL (mm)	Width (mm)	Units	SW-M	OG-M	TS-M	
	450	118	1	ZC7S450RSA			
	500	118	1	ZC7S500RSA			
	550	118	1	ZC7S550RSA			
	600	118	1	ZC7S600RSA			
	650	118	1	ZC7S650RSA			

Individual cross divider (optional)							
	Height	Width (mm)	Units	SW-M	OG-M	TS-M	
	50	118	48	ZC7Q0A0SS			

Drawer filler frame (for complete sets)							
For side panel thickness 15/16 mm							
	NL (mm)	Width (mm)	Units	SW-M	OG-M	TS-M	
	450	124	1	ZC7S450RSD			
	500	124	1	ZC7S500RSD			
	550	124	1	ZC7S550RSD			
	600	124	1	ZC7S600RSD			
	650	124	1	ZC7S650RSD			

Individual cross divider (optional)							
	Height	Width (mm)	Units	SW-M	OG-M	TS-M	
	50	124	48	ZC7Q0D0SS			

NL Nominal length

High fronted pull-out frame

Steel design



- Powder-coated steel frame in silk white matt, indium grey matt, orion grey matt, terra black matt
- Elegant, slim design
- Can be positioned as desired and provides a secure hold
- Adjustable cross dividers appropriate for the storage item, tool-free adjustment in the hole pattern
- Suitable for LEGRABOX high fronted pull-out and inner pull-out, height C and F
- Suitable for MERIVOBX high fronted pull-out and inner pull-out, height E and F
- Can be used for nominal lengths of 270–650 mm
- Frame height 110 mm

Ordering information

High fronted pull-out frame for nominal lengths of 270 mm or more							
	NL (mm)	Width (mm)	Units	SW-M	IG-M	OG-M	TS-M
	270–650	242	1	ZC7F300RSU			
NL 650 mm not available in indium grey matt							

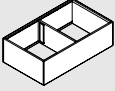
Adapter profile for connection to chipboard back (optional)								
	Height	Width (mm)	Units	SW-M	IG-M	OG-M	TS-M	
	LEGRABOX							
	C	242	12	ZC7A0U0C				
	F	242	12	ZC7A0U0F				
	MERIVOBX							
	E	242	12	ZC7A0U0C				
F	242	12	ZC7A0U0F					
Recommended for NL 350 mm and higher								

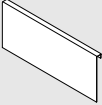
Individual cross divider (optional)							
	Height	Width (mm)	Units	SW-M	IG-M	OG-M	TS-M
	110	242	24	ZC7Q0U0FS			

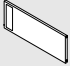
NL Nominal length

High fronted pull-out frame

Ordering information

High fronted pull-out frame for nominal lengths of 400 mm or more							
	NL (mm)	Width (mm)	Units	SW-M	IG-M	OG-M	TS-M
	400-650	218	1	ZC7F400RSP			
	NL 650 mm not available in indium grey matt						

Adapter profile for connection to chipboard back (optional)								
	Height	Width (mm)	Units	SW-M	IG-M	OG-M	TS-M	
	LEGRABOX							
	C	218	12	ZC7A0P0C				
	F	218	12	ZC7A0P0F				
	MERIVOBX							
	E	218	12	ZC7A0P0C				
F	218	12	ZC7A0P0F					
Recommended for NL 350 mm and higher								

Individual cross divider (optional)							
	Height	Width (mm)	Units	SW-M	IG-M	OG-M	TS-M
	110	218	24	ZC7Q0P0FS			

NL Nominal length

Cross gallery

Steel design



- Aluminium cross gallery in silk white matt, indium grey matt, orion grey matt, terra black matt
- Can be positioned as desired and provides a secure hold
- Suitable for LEGRABOX high fronted pull-out and inner pull-out, height C and F
- Suitable for MERIVOBX high fronted pull-out and inner pull-out, height E and F

Ordering information for LEGRABOX

Cross gallery for cutting to size				
	Length (mm)	SW-M	OG-M	TS-M
	1080	ZR7.1080U		
	Inner cabinet width LW - 90 mm			
Attachment				
		SW-M	OG-M	TS-M
	LEGRABOX pure	ZC7U10E0		
	LEGRABOX free	ZC7U11E0		
Lateral divider				
	Length (mm)	SW-M	OG-M	TS-M
	84	ZC7U10F0		

Ordering information for MERIVOBX

Cross gallery for cutting to size				
	Length (mm)	SW-M	IG-M	OG-M
	1059	ZR4.1059U		
	Inner cabinet width LW - 111 mm			
Attachment				
		SW-M	IG-M	OG-M
	Gallery, gallery with BOXCAP design element, E drawer side	ZC4U10E0		
	BOXCOVER design element	ZC4U11E0		
Lateral divider				
	Length (mm)	SW-M	IG-M	OG-M
	84	ZC4U10F0		


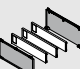
Bottle set

Steel design


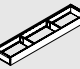


- Bottle set for combination with drawer frame, for nominal lengths of 450 mm or greater, steel design
- Can be positioned as desired and provides a secure hold
- Suitable for LEGRABOX high fronted pull-out, height C and F
- Suitable for MERIVOBX high fronted pull-out, height E and F
- Installation height 140 mm (drawer frame with bottle set)

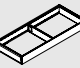

Ordering information

Bottle set							
	NL (mm)	Width (mm)	Units	SW-M	IG-M	OG-M	TS-M
	from 450	100	1	ZC7B0100S			
	from 450	200	1	ZC7B0200S			

Not suitable for inner pull-outs.

Drawer frame – narrow							
	NL (mm)	Width (mm)	Units	SW-M	IG-M	OG-M	TS-M
	450	100	1	ZC7S450RS1			
	500	100	1	ZC7S500RS1			
	550	100	1	ZC7S550RS1			
	600	100	1	ZC7S600RS1			
	650	100	1	ZC7S650RS1 *			

* Not available in indium grey matt

Drawer frame – wide							
	NL (mm)	Width (mm)	Units	SW-M	IG-M	OG-M	TS-M
	450	200	1	ZC7S450RS2			
	500	200	1	ZC7S500RS2			
	550	200	1	ZC7S550RS2			
	600	200	1	ZC7S600RS2			
	650	200	1	ZC7S650RS2 *			

* Not available in indium grey matt

NL Nominal length

Cutlery insert

Wood design



- Frame in wood design in bardolino oak, nebraska oak, tennessee walnut
- Steel components in silk white matt, orion grey matt, terra black matt
- Can be positioned as desired and provides a secure hold
- Suitable for LEGRABOX and MERIVOBX drawers, height M and K
- Can be used for nominal lengths of 450–650 mm
- Frame height 50 mm

Ordering information

Cutlery insert				
	NL (mm)	Width (mm)	Units	E01S/SW-M E02G/OG-M N01T/TS-M
	450	300	1	ZC7S450BH3
	500	300	1	ZC7S500BH3
	550	300	1	ZC7S550BH3
	600	300	1	ZC7S600BH3
	650	300	1	ZC7S650BH3

NL Nominal length

Drawer frame

Wood design



- Frame in wood design in bardolino oak, nebraska oak, tennessee walnut
- Steel components in silk white matt, orion grey matt, terra black matt
- Elegant, slim design
- Can be positioned as desired and provides a secure hold
- Adjustable cross dividers appropriate for the storage item, tool-free adjustment in the hole pattern
- Suitable for LEGRABOX and MERIVOBX drawers, height M and K
- Can be used for nominal lengths of 270 to 650 mm
- Frame height 50 mm

Ordering information

Drawer frame for nominal lengths of 270 mm or more						
	NL (mm)	Width (mm)	Units	E01S/SW-M	E02G/OG-M	N01T/TS-M
		270-400	242	1	ZC7S300RHU	

Individual cross divider (optional)						
	NL (mm)	Width (mm)	Units	E01S	E02G	N01T
		50	242	24	ZC7Q0U0SH	

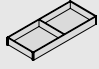
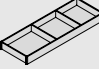
Drawer frame						
	NL (mm)	Width (mm)	Units	E01S/SW-M	E02G/OG-M	N01T/TS-M
		450	100	1	ZC7S450RH1	
	500	100	1	ZC7S500RH1		
	550	100	1	ZC7S550RH1		
	600	100	1	ZC7S600RH1		
	650	100	1	ZC7S650RH1		


Individual cross divider (optional)						
	NL (mm)	Width (mm)	Units	E01S	E02G	N01T
		50	100	48	ZC7Q010SH	

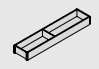
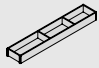
NL Nominal length

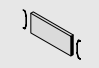
Drawer frame

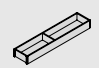
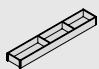
Ordering information

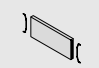
Drawer frame						
	NL (mm)	Width (mm)	Units	E01S/SW-M	E02G/OG-M	N01T/TS-M
		450	200	1	ZC7S450RH2	
	500	200	1	ZC7S500RH2		
	550	200	1	ZC7S550RH2		
	600	200	1	ZC7S600RH2		
	650	200	1	ZC7S650RH2		

Individual cross divider (optional)						
	NL (mm)	Width (mm)	Units	E01S	E02G	N01T
		50	200	24	ZC7Q020SH	

Drawer filler frame (for complete sets)						
For side panel thickness 18/19 mm						
	NL (mm)	Width (mm)	Units	E01S/SW-M	E02G/OG-M	N01T/TS-M
		450	118	1	ZC7S450RHA	
	500	118	1	ZC7S500RHA		
	550	118	1	ZC7S550RHA		
	600	118	1	ZC7S600RHA		
	650	118	1	ZC7S650RHA		

Individual cross divider (optional)						
	NL (mm)	Width (mm)	Units	E01S	E02G	N01T
		50	118	24	ZC7Q0A0SH	

Drawer filler frame (for complete sets)						
for side panel thickness 15/16 mm						
	NL (mm)	Width (mm)	Units	E01S/SW-M	E02G/OG-M	N01T/TS-M
		450	124	1	ZC7S450RHD	
	500	124	1	ZC7S500RHD		
	550	124	1	ZC7S550RHD		
	600	124	1	ZC7S600RHD		
	650	124	1	ZC7S650RHD		

Individual cross divider (optional)						
	NL (mm)	Width (mm)	Units	E01S	E02G	N01T
		50	124	24	ZC7Q0D0SH	

NL Nominal length

High fronted pull-out frame

Wood design



- Frame in wood design in bardolino oak, nebraska oak, tennessee walnut
- Steel components in silk white matt, orion grey matt, terra black matt
- Elegant, slim design
- Can be positioned as desired and provides a secure hold
- Adjustable cross dividers appropriate for the storage item, tool-free adjustment in the hole pattern
- Suitable for LEGRABOX high fronted pull-out and inner pull-out, height C and F
- Suitable for MERIVOBX high fronted pull-out and inner pull-out, height E and F
- Can be used for nominal lengths of 270–650 mm
- Frame height 110 mm

Ordering information

High fronted pull-out frame for nominal lengths of 270 mm or more

	NL (mm)	Width (mm)	Units	E01S/SW-M	E02G/OG-M	N01T/TS-M
	270–650	242	1	ZC7F300RHU		

Individual cross divider (optional)

	NL (mm)	Width (mm)	Units	E01S	E02G	N01T
	110	242	24	ZC7Q0U0FH		

High fronted pull-out frame for nominal lengths of 400 mm or more

	NL (mm)	Width (mm)	Units	E01S/SW-M	E02G/OG-M	N01T/TS-M
	400–650	218	1	ZC7F400RHP		

Individual cross divider (optional)

	NL (mm)	Width (mm)	Units	E01S	E02G	N01T
	110	218	24	ZC7Q0P0FH		

NL Nominal length

Kitchen accessories



The attractive AMBIA-LINE kitchen accessories combine a high-quality design with well-conceived functionality. After all, holders for knives, plates and spices and a foil dispenser help to keep the kitchen tidy. Everything runs like clockwork because you have clear visibility of utensils in the pull-out and everything is immediately to hand.



Kitchen accessories

Assembly, adjustment and removal

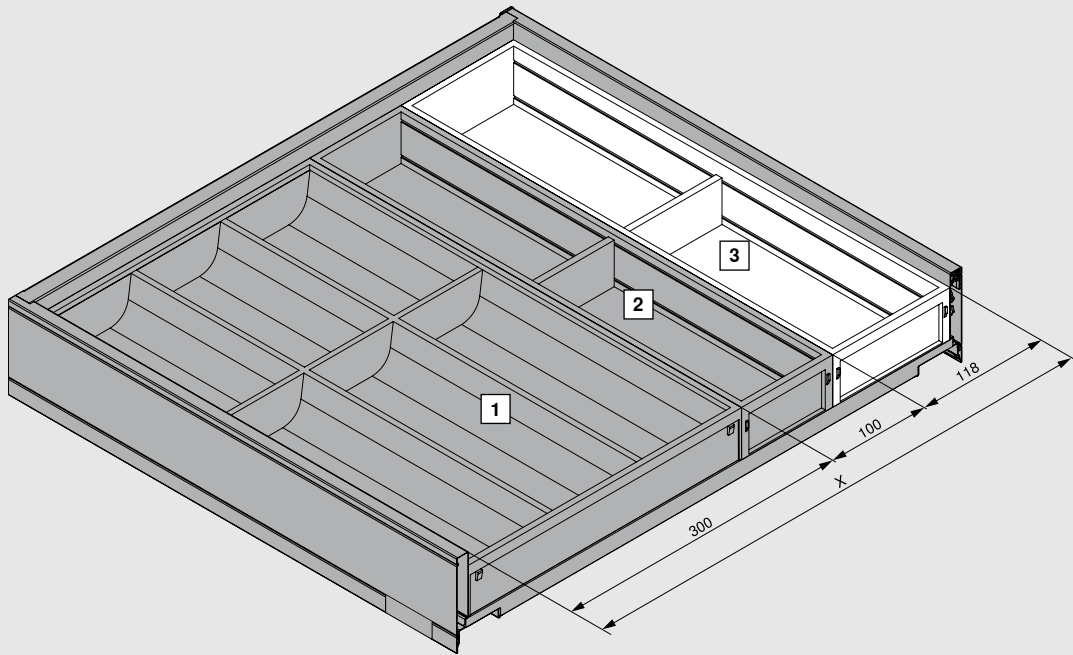
www.blum.com/ambialine-accessories

Ordering information

Knife holder			
	Length (mm)	Width (mm)	OG-M
	409	187	ZC7M0200
For 9 knives			
Suitable for drawer heights K and M			
Nominal length from 450 mm and greater			
Foil/film dispenser			
	Length (mm)	Width (mm)	OG-M
	409	187	ZC7C0000
	Double unit, cling film and aluminium foil, with film/foil.		ZC7C0001
Double unit, cling film and aluminium foil, without film/foil.		ZC7C0001	
Suitable for drawer heights K and M			
Nominal length from 450 mm and greater			
Spice holder			
	Length (mm)	Width (mm)	OG-M
	356	205	ZC7G0P01
Suitable for LEGRABOX high fronted pull-out height C and F, MERIVOBX high fronted pull-out height E and F			
Plate-holder			
	Ø Plate diameter (mm)	Stacking height	OG-M
	186–322	up to 12 plates	ZC7T0350
Suitable for LEGRABOX high fronted pull-out height C and F, MERIVOBX high fronted pull-out height E and F			

Complete sets for the drawer

Determination of the suitable filler frame for drawer



X = Internal drawer width = Max. available width

X = Inner cabinet width LW - 44 mm

Example

Cabinet width 600 mm

Inner cabinet width 562 mm

Nominal length 500 mm

Side panel thickness 19 mm

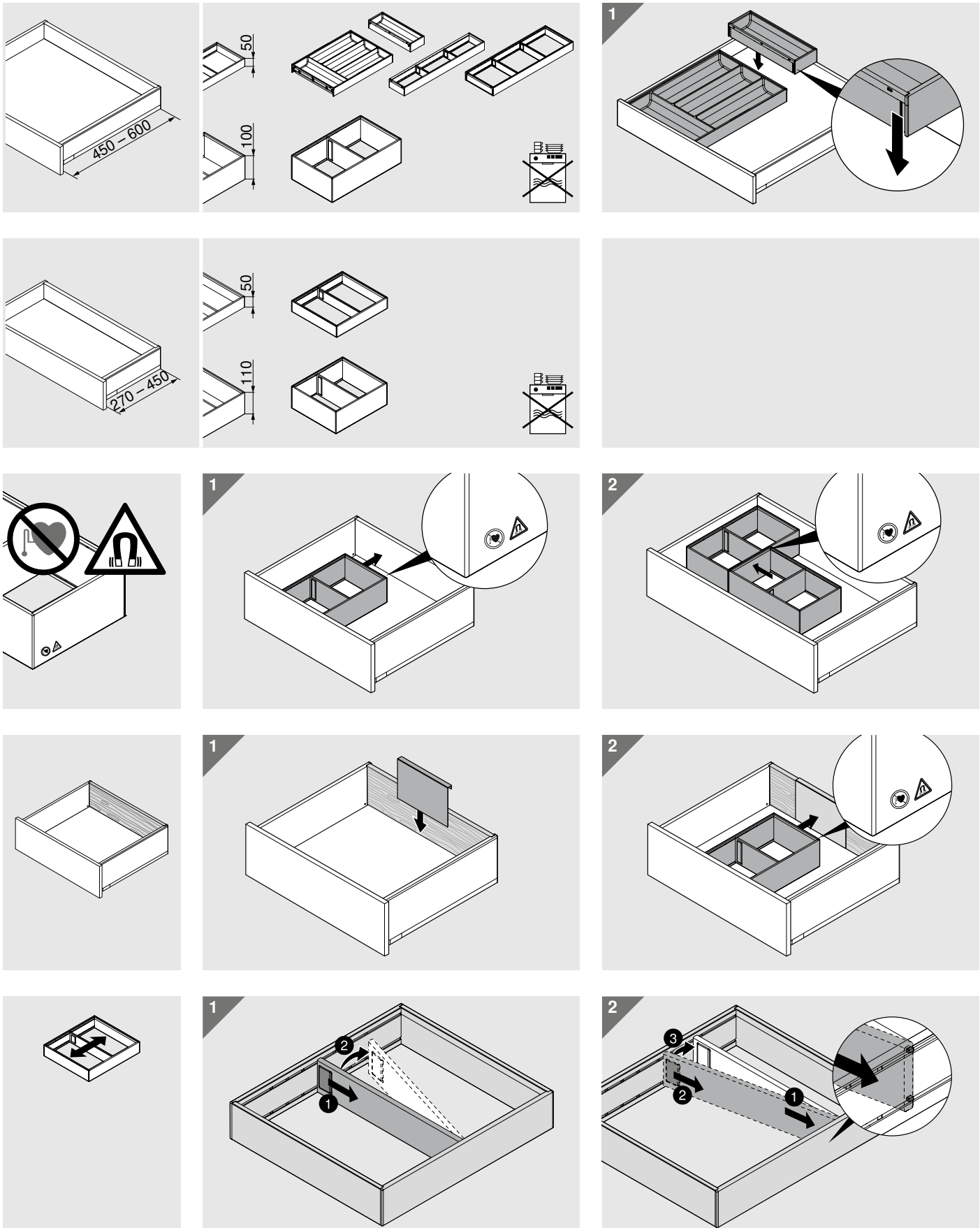
X = 518 mm

1	Cutlery insert						
	NL (mm)	Width (mm)	Units	SW-M / OG-M	IG-M	OG-M	TS-M
	500	300	1	ZC7S500BS3			
2	Drawer frame						
	NL (mm)	Width (mm)	Units	SW-M	IG-M	OG-M	TS-M
	500	100	1	ZC7S500RS1			
3	Drawer filler frame (for complete sets)						
For side panel thickness 18/19 mm							
	NL (mm)	Width (mm)	Units	SW-M	OG-M	TS-M	
	500	118	1	ZC7S500RSA			

NL Nominal length

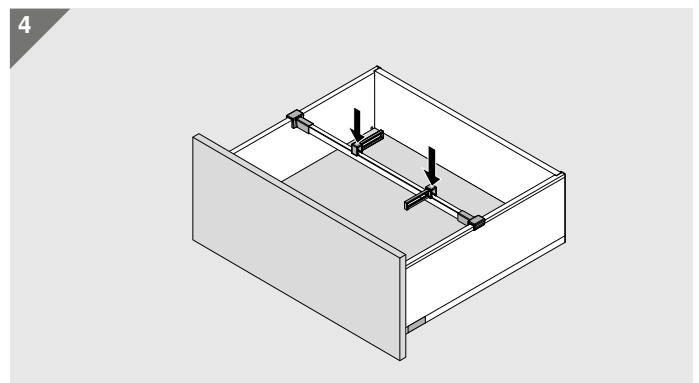
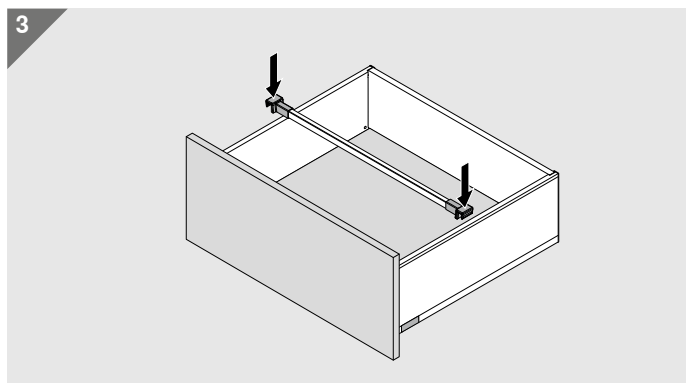
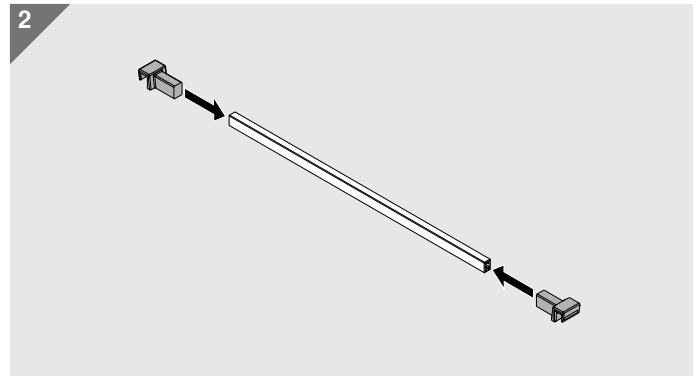
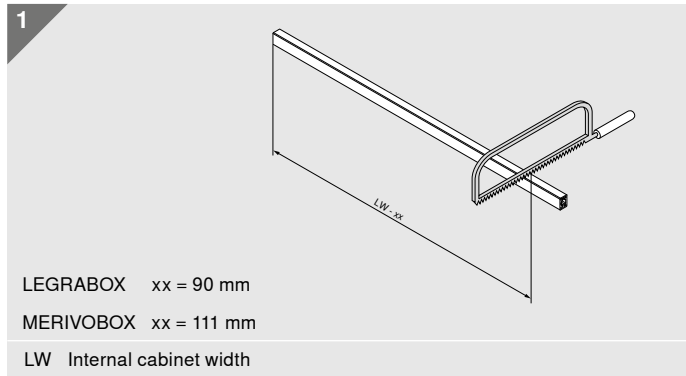
Assembly

Steel design

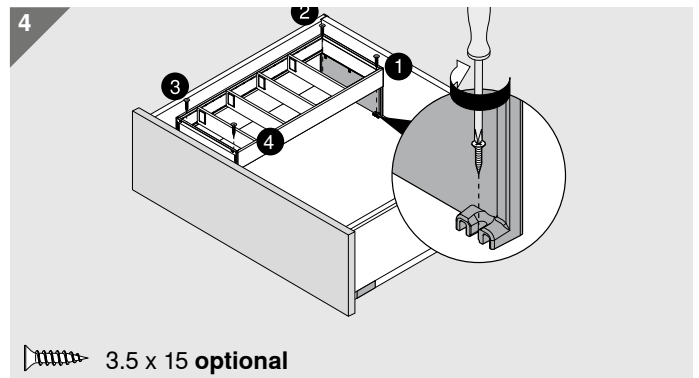
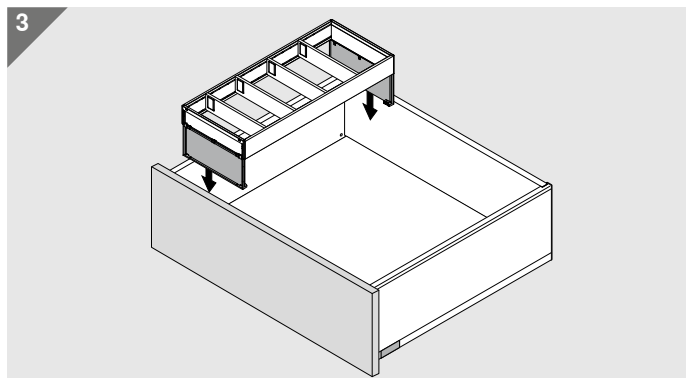
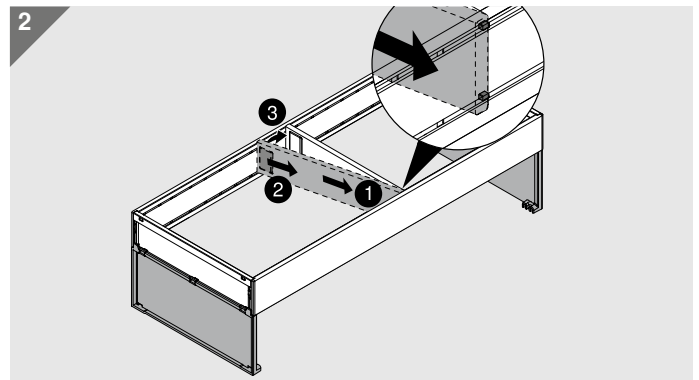
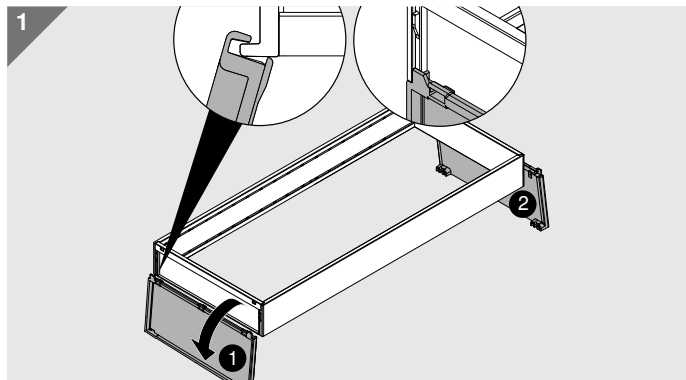


Assembly

Cross gallery

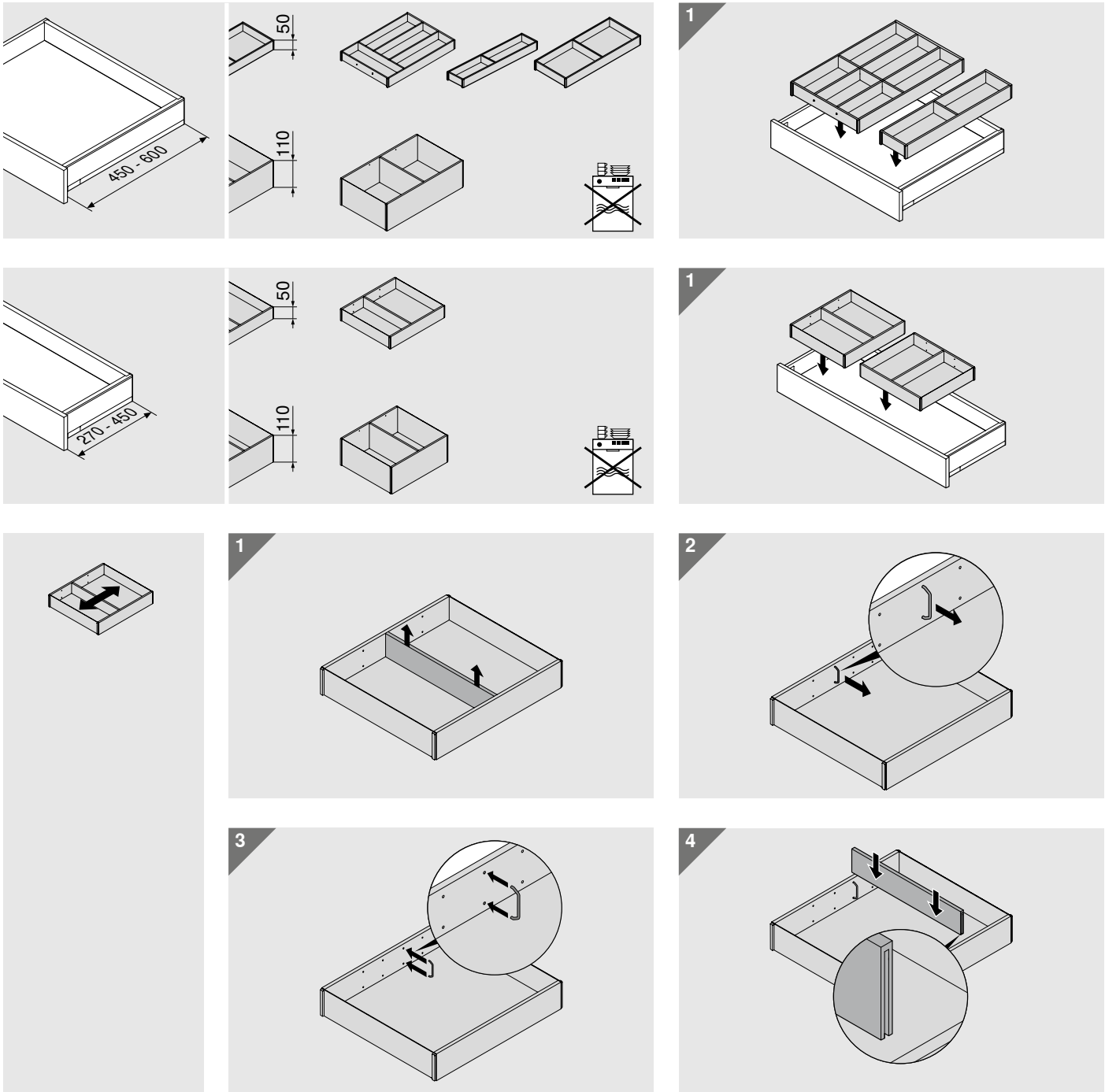


Bottle set



Assembly

Wood design



Julius Blum GmbH
Furniture Fittings Mfg.
6973 Höchst, Austria
Tel.: +43 5578 705-0
Fax: +43 5578 705-44
E-mail: info@blum.com
www.blum.com

Our sites in Austria, Poland and China are certified to the international standards mentioned below.
Our site in the USA is certified to ISO 9001.
Our site in Brazil is certified to ISO 9001, ISO 14001 and ISO 45001.



ISO 9001
Certified Quality
System



ISO 14001
Certified Environmental
System



ISO 50001
Certified Energy
System

 **blum**®



Look for our
FSC™-certified
products

All content is copyrighted by Blum.
Subject to technical modifications and changes to the range without notice.
TD-064/6 EN-AL/04.22