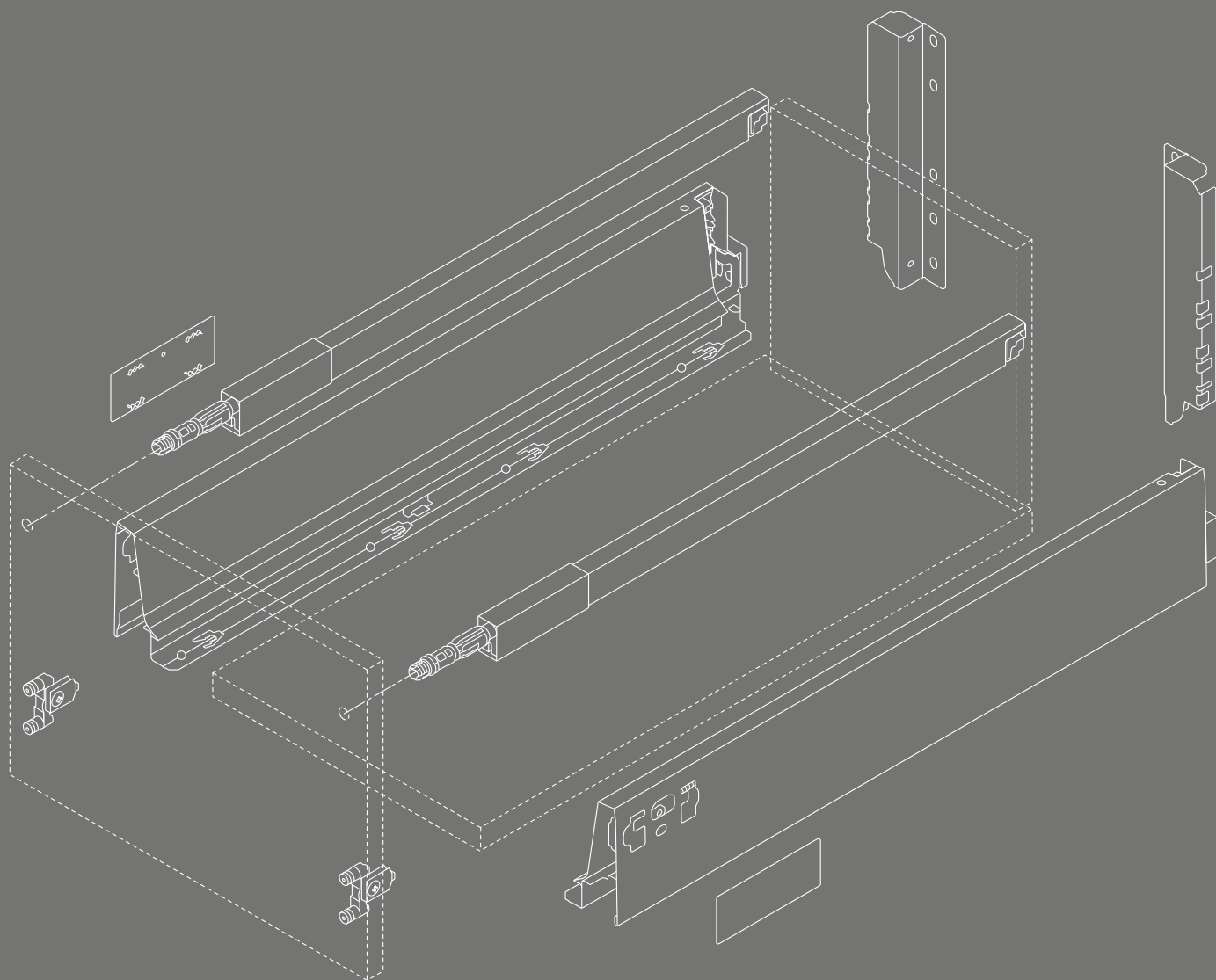


TANDEMBOX antaro

Ordering and planning information





Drawer

Height N 82.5 mm **4**

Height M 98.5 mm **6**

Height K 130.5 mm **10**

Inner drawer

Height M 106 mm **8**

Height K 136.5 mm **12**

High fronted pull-out

Height C 192 mm **14**

Height D 224 mm **20**

Height D with drawer side K 224 mm **26**

Height C with aluminium frame 192 mm **18**

Height D with aluminium frame 224 mm **24**

Inner pull-out

Height C 192 mm **16**

Height D 224 mm **22**

Height D with drawer side K 224 mm **28**

Sink pull-out

Height C 192 mm **30**

Height D 224 mm **32**

Assembly devices	34
SERVO-DRIVE	36
TIP-ON BLUMOTION	36
Cabinet profile fixing	42
Steel back	43
Flexible gallery fixing	44
Front/base stabiliser	45

Colour

SW	Silk white
R9006	RAL 9006 grey (white aluminium)
WGR	White grey
R7037	RAL 7037 dust grey

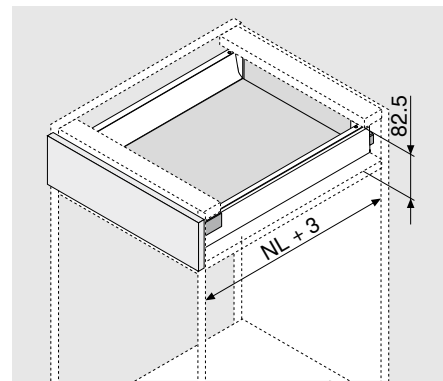
Product



Description

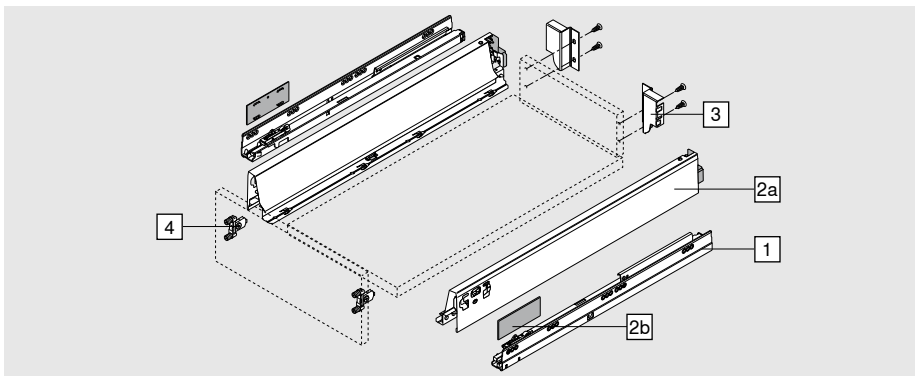
- Concealed, guided full extension
- Tool-free front assembly
- 2-dimensional front adjustment
- With integrated BLUMOTION, can be combined with SERVO-DRIVE or with TIP-ON BLUMOTION

Space requirement



NL Nominal length

Ordering information



1	Cabinet profiles left/right	
	Dynamic carrying capacity (kg)	BLUMOTION*
	Nominal length (mm)	30 kg
	400	578.4001M
	450	578.4501M
	500	578.5001M
550	578.5501M	

*Suitable for SERVO-DRIVE and TIP-ON BLUMOTION

2	Drawer side set	
	Colour options	SW R9006
	NL (mm)	Steel
	400	378N4002SA
	450	378N4502SA
	500	378N5002SA
550	378N5502SA	

Consisting of:

2a	1 x drawer side left/right
2b	2 x cover cap, stamped with Blum logo, custom printed from 1000 pcs

Ordering information

	3 Chipboard back fixing left/right		
	Colour options	SW	R9006
		Steel	
	Steel back	Z30N000S.04	
			43

	4 Front fixing bracket		
	INSERTA	2x	ZSF.39A2
	Screw-on	2x	ZSF.35A2
	Knock-in	2x	ZSF.36A2

Planning

Space requirements in the cabinet	Front installation dimensions	Drilling distances – front – INSERTA knock-in assembly	Back installation dimensions
<p>79.5 min 49.5 37.5 min 33</p>	<p>32 32.5 9 15.5 FA</p> <p>FA Front overlay</p>	<p>min 32.5 32 Ø 10^{+0.2}/_{-0.1} 12</p>	<p>9 38 22</p>

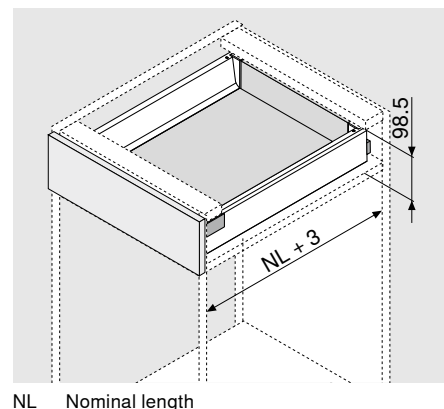
Cutting dimensions for 16 mm chipboard

<p>B 69 mm LW - 87 mm</p>	<p>KB Cabinet width LW Internal cabinet width NL Nominal length</p>
<p>A Chipboard back NL - 24 mm Steel back NL - 22 mm LW - 75 mm</p>	

Product

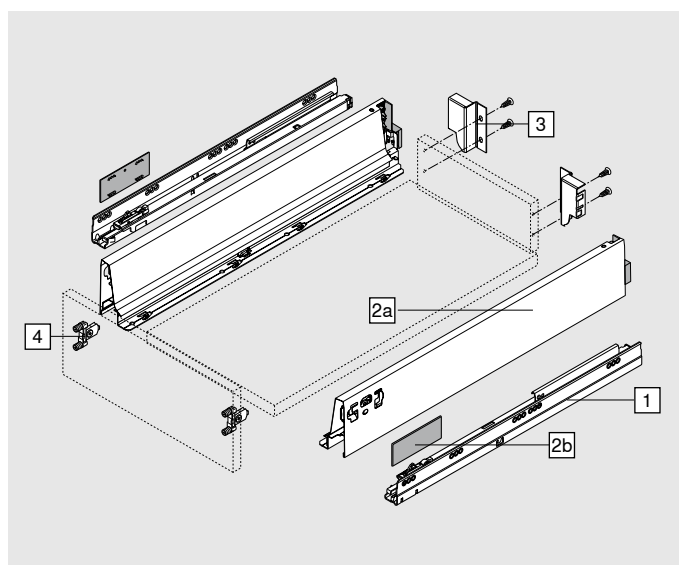
Description

- Concealed, guided full extension
- Tool-free front assembly
- 2-dimensional front adjustment
- With integrated BLUMOTION, can be combined with SERVO-DRIVE or with TIP-ON BLUMOTION

Space requirement

Ordering information

1	Cabinet profiles left/right		
	Dynamic carrying capacity (kg)		
	Nominal length NL (mm)	BLUMOTION*	
		30 kg	65 kg
	270	578.2701M	
	300	578.3001M	
	350	578.3501M	
	400	578.4001M	
	450	578.4501M	576.4501M
	500	578.5001M	576.5001M
	550	578.5501M	576.5501M
600	578.6001M	576.6001M	
650		576.6501M	

*Suitable for SERVO-DRIVE and TIP-ON BLUMOTION



2	Drawer side set	
	Colour options	SW R9006
	NL (mm)	Steel
	270	378M2702SA
	300	378M3002SA
	350	378M3502SA
	400	378M4002SA
	450	378M4502SA
	500	378M5002SA
	550	378M5502SA
	600	378M6002SA
650	378M6502SA	

Consisting of:

2a	1 x drawer side left/right
2b	2 x cover cap, stamped with Blum logo, custom printed from 1000 pcs

Ordering information

	3 Chipboard back fixing left/right		
	Colour options	SW	R9006
		Steel	
		Z30M000S.04	
	Steel back		43

	4 Front fixing bracket		
	INSERTA	2x	ZSF.39A2
	Screw-on	2x	ZSF.35A2
	Knock-in	2x	ZSF.36A2

Planning

Space requirements in the cabinet	Front installation dimensions	Drilling distances – front – INSERTA knock-in assembly	Back installation dimensions
<p>95.5 65.5 37.5 min 33</p>	<p>32 47.5 9 15.5 FA</p> <p>FA Front overlay</p>	<p>Ø 10 ^{+0.2}/_{-0.1} 32 min 47.5 12</p>	<p>9 20 32</p>

Cutting dimensions for 16 mm chipboard

<p>B 84 mm LW - 87 mm</p>	<p>KB Cabinet width LW Internal cabinet width NL Nominal length</p>
<p>A Chipboard back NL - 24 mm Steel back NL - 22 mm LW - 75 mm</p>	

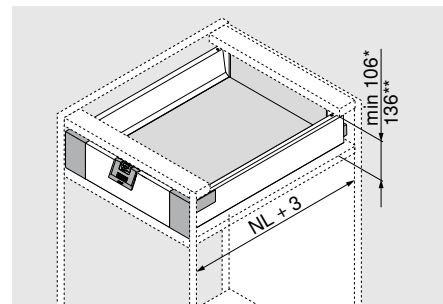
Product



Description

- Concealed, guided full extension
- Tool-free front assembly
- With integrated BLUMOTION, can be combined with SERVO-DRIVE or with TIP-ON BLUMOTION
- Inner drawers either with handle or handle and latch

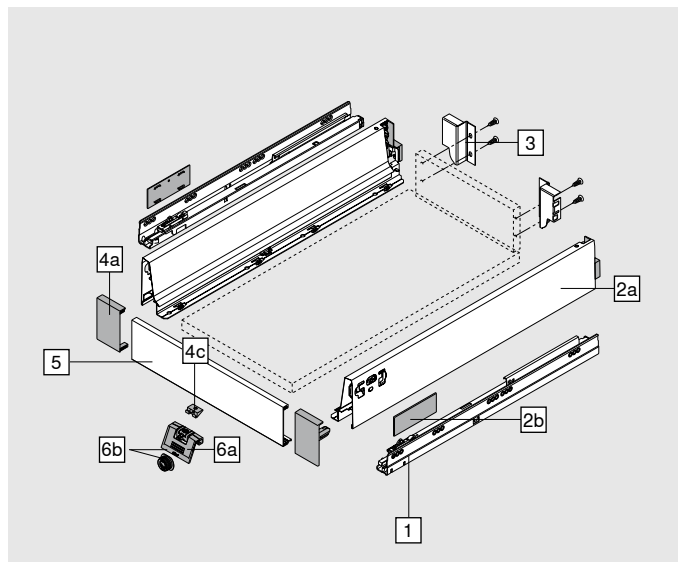
Space requirement



NL Nominal length
 * Min. space requirement for inner drawers with or without handles
 ** Inner drawers with easy access from above

Ordering information

1	Cabinet profiles left/right		
	Dynamic carrying capacity (kg)		
	Nominal length NL (mm)	BLUMOTION*	
		30 kg	65 kg
	270	578.2701M	
	300	578.3001M	
	350	578.3501M	
	400	578.4001M	
	450	578.4501M	576.4501M
	500	578.5001M	576.5001M
	550	578.5501M	576.5501M
600	578.6001M	576.6001M	
650		576.6501M	
*Suitable for SERVO-DRIVE and TIP-ON BLUMOTION			



2	Drawer side set	SW	R9006
	Colour options		Steel
	NL (mm)		
	270		378M2702SA
	300		378M3002SA
	350		378M3502SA
	400		378M4002SA
	450		378M4502SA
	500		378M5002SA
	550		378M5502SA
	600		378M6002SA
650		378M6502SA	
Consisting of:			
2a	1 x drawer side left/right		
2b	2 x cover cap, stamped with Blum logo, custom printed from 1000 pcs		

Ordering information

3 	Chipboard back fixing left/right		
	Colour options	SW	R9006
	Steel	Z30M000S.04	
	Steel back	43	

4 	Front fixing set		
	Colour options	SW	WGR
	Nylon	ZIF.71M0	

Consisting of:

4a	1 x front fixing left/right
4c	1 x locking piece

5 	Front piece		
	Colour options	SW	R9006
	Aluminium	Z31L1036A	
	For cutting to size		

6a 	Handle			
	Colour options	SW	WGR	R7037
	Nylon	ZIF.80M5		

6b 	Handle and latch			
	Colour options	SW/R7037	WGR/R7037	R7037
	Nylon	ZIF.80M7		

Planning

Space requirements in the cabinet

* Min. space requirement for inner drawers with or without handles
Without a handle, opening is only possible from the bottom

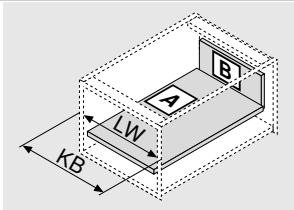
** Inner drawers with easy access from above

Front drilling distances for latch

Back installation dimensions

Cutting dimensions for 16 mm chipboard

B	Drawer back
84 mm	
LW - 87 mm	
A	Base
Chipboard back	NL - 24 mm
Steel back	NL - 22 mm
LW - 75 mm	



KB Cabinet width
LW Internal cabinet width
NL Nominal length

Front piece for cutting to size

x = LW - 132

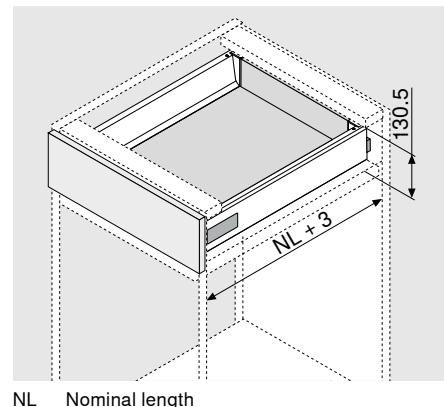
Product



Description

- Concealed, guided full extension
- Tool-free front assembly
- 2-dimensional front adjustment
- With integrated BLUMOTION, can be combined with SERVO-DRIVE or with TIP-ON BLUMOTION

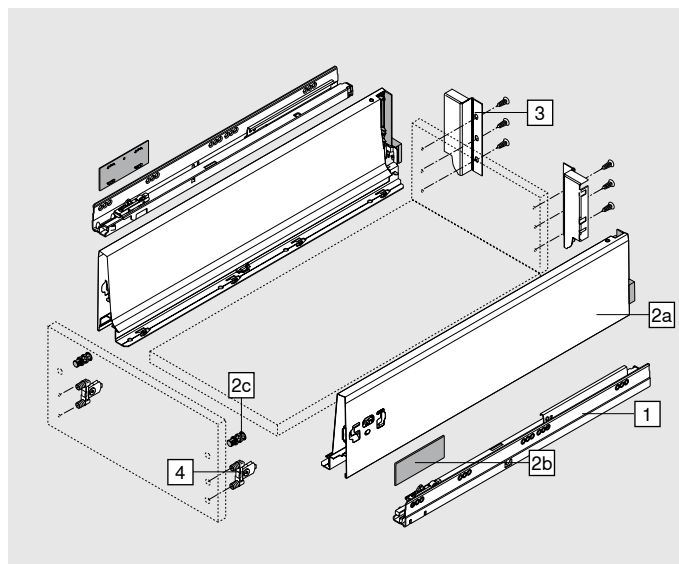
Space requirement



Ordering information

1	Cabinet profiles left/right		
	Dynamic carrying capacity (kg)		
	Nominal length NL (mm)	BLUMOTION*	
		30 kg	65 kg
	270	578.2701M	
	300	578.3001M	
	350	578.3501M	
	400	578.4001M	
	450	578.4501M	576.4501M
	500	578.5001M	576.5001M
	550	578.5501M	576.5501M
600	578.6001M	576.6001M	
650		576.6501M	

*Suitable for SERVO-DRIVE and TIP-ON BLUMOTION



2	Drawer side set	SW	R9006
	Colour options	Steel	
	NL (mm)		
	270	378K2702SA	
	300	378K3002SA	
	350	378K3502SA	
	400	378K4002SA	
	450	378K4502SA	
	500	378K5002SA	
	550	378K5502SA	
	600	378K6002SA	
650	378K6502SA		

Consisting of:

2a	1 x drawer side left/right
2b	2 x cover cap, stamped with Blum logo, custom printed from 1000 pcs
2c	2 x positioning dowel

Ordering information

	3 Chipboard back fixing left/right		
	Colour options	SW	R9006
		Steel	
		Z30K000S	
	Steel back		43

	4 Front fixing bracket		
	INSERTA	2x	ZSF.39A2
	Screw-on	2x	ZSF.35A2
	Knock-in	2x	ZSF.36A2

Planning

Space requirements in the cabinet	Front installation dimensions	Drilling distances – front – INSERTA knock-in assembly	Back installation dimensions
<p>127.5 min 97.5 37.5 min 33</p>	<p>32 32 47.5 9 15.5 FA</p> <p>FA Front overlay</p>	<p>32 32 min 47.5 Ø 10 $\begin{matrix} +0.2 \\ -0.1 \end{matrix}$ 12</p>	<p>9 22 32 32 32</p>

Cutting dimensions for 16 mm chipboard

<p>B 116 mm LW - 87 mm</p>	<p>KB Cabinet width LW Internal cabinet width NL Nominal length</p>
<p>A Chipboard back NL - 24 mm Steel back NL - 22 mm LW - 75 mm</p>	

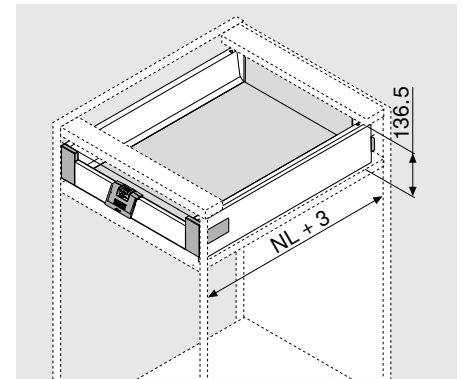
Product



Description

- Concealed, guided full extension
- Tool-free front assembly
- With integrated BLUMOTION, can be combined with SERVO-DRIVE or with TIP-ON BLUMOTION
- Inner drawers either with handle or handle and latch

Space requirement

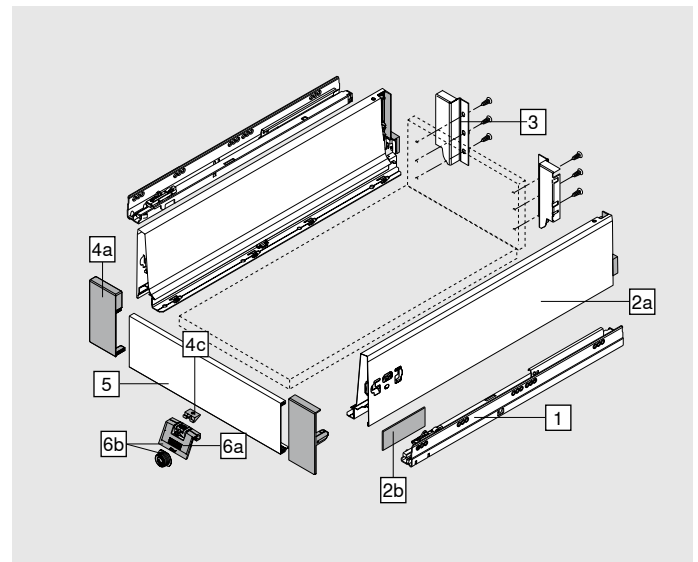


NL Nominal length

Ordering information

1	Cabinet profiles left/right		
	Dynamic carrying capacity (kg)		
	Nominal length NL (mm)	BLUMOTION*	
		30 kg	65 kg
	270	578.2701M	
	300	578.3001M	
	350	578.3501M	
	400	578.4001M	
	450	578.4501M	576.4501M
	500	578.5001M	576.5001M
	550	578.5501M	576.5501M
600	578.6001M	576.6001M	
650		576.6501M	

*Suitable for SERVO-DRIVE and TIP-ON BLUMOTION

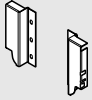


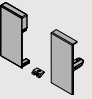
2	Drawer side set	SW	R9006
	Colour options	Steel	
	NL (mm)		
	270	378K2702SA	
	300	378K3002SA	
	350	378K3502SA	
	400	378K4002SA	
	450	378K4502SA	
	500	378K5002SA	
	550	378K5502SA	
	600	378K6002SA	
650	378K6502SA		

Consisting of:

2a	1 x drawer side left/right
2b	2 x cover cap, stamped with Blum logo, custom printed from 1000 pcs

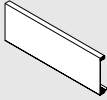
Ordering information

3	Chipboard back fixing left/right		
	Colour options	SW	R9006
	Steel	Z30K000S	
	Steel back	43	


4	Front fixing set		
	Colour options	SW	WGR
	Nylon	ZIF.71K0	

Consisting of:

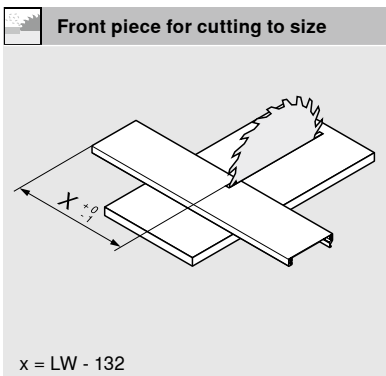
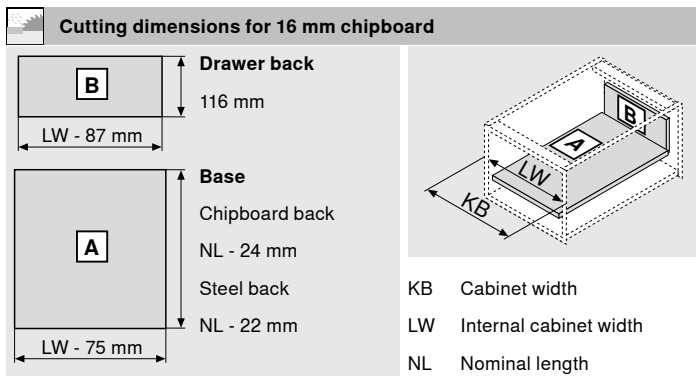
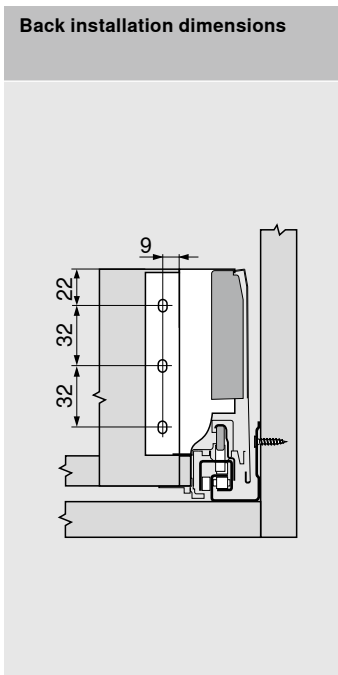
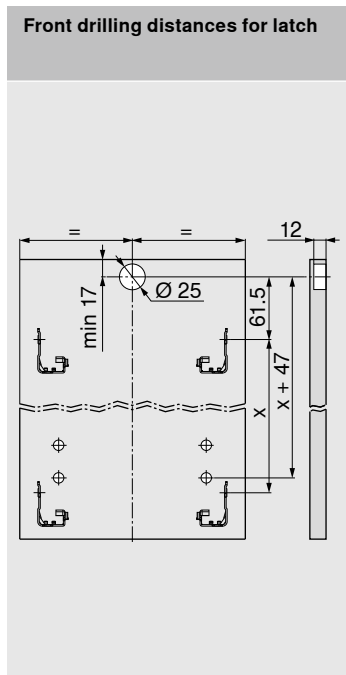
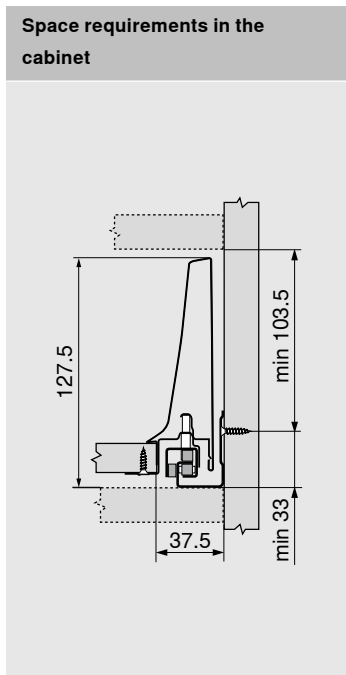
4a	1 x front fixing left/right	
4c	1 x locking piece	Z31A0008

5	Front piece		
	Colour options	SW	R9006
	Aluminium	Z31L1036A	
	For cutting to size		

6a	Handle		
	Colour options	SW	WGR R7037
	Nylon	ZIF.80M5	

6b	Handle and latch		
	Colour options	SW/R7037	WGR/R7037 R7037
	Nylon	ZIF.80M7	

Planning



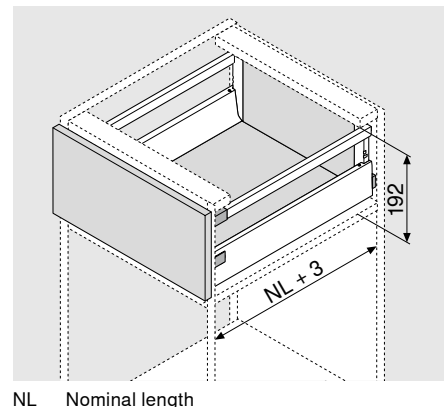
Product



Description

- With single gallery
- Concealed, guided full extension
- Tool-free front assembly
- 3-dimensional front adjustment
- With integrated BLUMOTION, can be combined with SERVO-DRIVE or with TIP-ON BLUMOTION

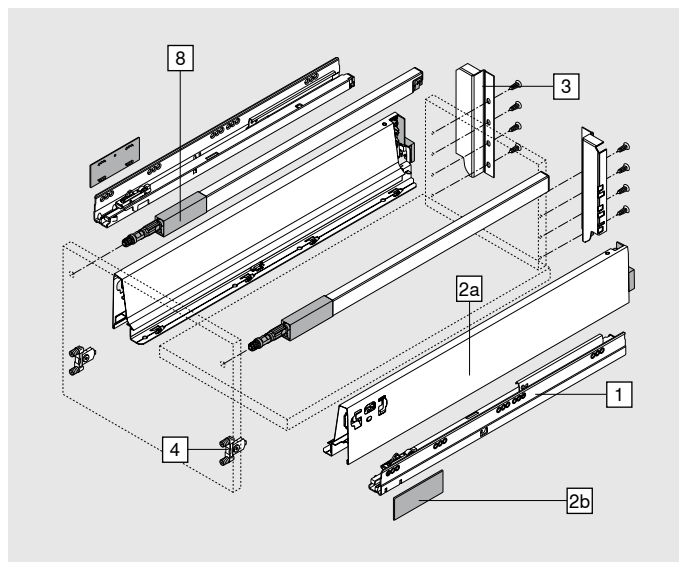
Space requirement



Ordering information

1	Cabinet profiles left/right		
	Dynamic carrying capacity (kg)		
	Nominal length NL (mm)	BLUMOTION*	
		30 kg	65 kg
	270	578.2701M	
	300	578.3001M	
	350	578.3501M	
	400	578.4001M	
	450	578.4501M	576.4501M
	500	578.5001M	576.5001M
	550	578.5501M	576.5501M
600	578.6001M	576.6001M	
650		576.6501M	

*Suitable for SERVO-DRIVE and TIP-ON BLUMOTION



2	Drawer side set	SW	R9006
	Colour options		Steel
	NL (mm)		
	270	378M2702SA	
	300	378M3002SA	
	350	378M3502SA	
	400	378M4002SA	
	450	378M4502SA	
	500	378M5002SA	
	550	378M5502SA	
	600	378M6002SA	
650	378M6502SA		

Consisting of:

2a	1 x drawer side left/right
2b	2 x cover cap, stamped with Blum logo, custom printed from 1000 pcs

Ordering information

	3 Chipboard back fixing left/right		
	Colour options	SW	R9006
	Steel	Z30C000S	
	Steel back	43	

	4 Front fixing bracket		
	INSERTA	2x	ZSF.39A2
	Screw-on	2x	ZSF.35A2
	Knock-in	2x	ZSF.36A2

	8 Longside gallery rail left/right		
	Colour options	SW	R9006
	NL (mm)	Steel	
	270	ZRG.207RSIC	
	300	ZRG.237RSIC	
	350	ZRG.287RSIC	
	400	ZRG.337RSIC	
	450	ZRG.387RSIC	
	500	ZRG.437RSIC	
	550	ZRG.487RSIC	
	600	ZRG.537RSIC	
650	ZRG.587RSIC		

Planning

Space requirements in the cabinet	Front installation dimensions	Drilling distances – front – INSERTA knock-in assembly	Back installation dimensions
	FA Front overlay		

Cutting dimensions for 16 mm chipboard

	Drawer back 167 mm LW - 87 mm	
	Base Chipboard back NL - 24 mm Steel back NL - 22 mm LW - 75 mm	
	KB Cabinet width LW Internal cabinet width NL Nominal length	

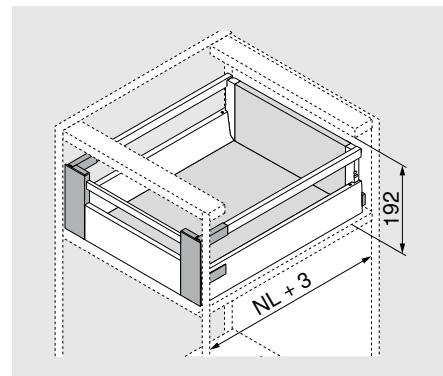
Product



Description

- With single gallery
- Concealed, guided full extension
- Tool-free front assembly
- 3-dimensional front adjustment
- With integrated BLUMOTION, can be combined with SERVO-DRIVE or with TIP-ON BLUMOTION

Space requirement

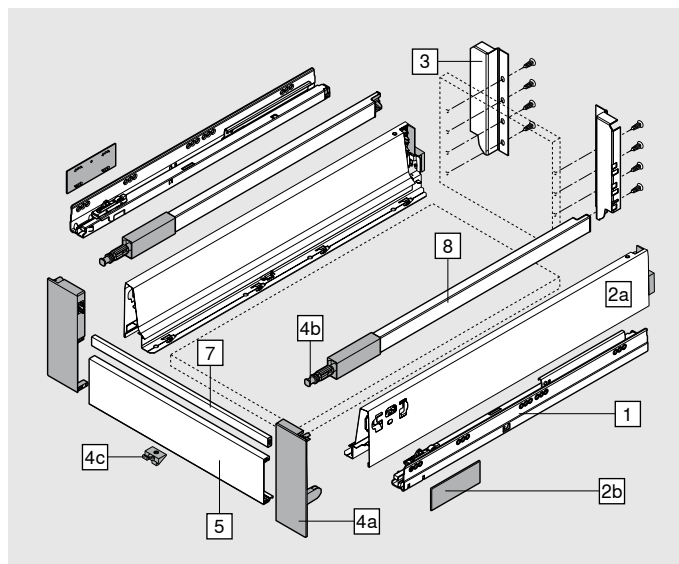


NL Nominal length

Ordering information

1	Cabinet profiles left/right		
	Dynamic carrying capacity (kg)		
	Nominal length NL (mm)	BLUMOTION*	
		30 kg	65 kg
	270	578.2701M	
	300	578.3001M	
	350	578.3501M	
	400	578.4001M	
	450	578.4501M	576.4501M
	500	578.5001M	576.5001M
550	578.5501M	576.5501M	
600	578.6001M	576.6001M	
650		576.6501M	

*Suitable for SERVO-DRIVE and TIP-ON BLUMOTION



2	Drawer side set	SW	R9006
	Colour options		Steel
	NL (mm)		
	270		378M2702SA
	300		378M3002SA
	350		378M3502SA
	400		378M4002SA
	450		378M4502SA
	500		378M5002SA
	550		378M5502SA
	600		378M6002SA
650		378M6502SA	

Consisting of:

2a	1 x drawer side left/right
2b	2 x cover cap, stamped with Blum logo, custom printed from 1000 pcs

Ordering information

3 	Chipboard back fixing left/right		
	Colour options	SW	R9006
	Steel	Z30.C000S	
	Steel back	43	

7 	Cross gallery		
	Colour options	SW	R9006
	Aluminium	ZRG.1046Z	
	For cutting to size		

4 	Front fixing set		
	Colour options	SW	WGR
	Nylon	ZIF.76C0	

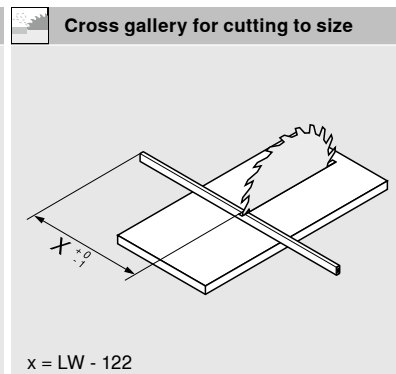
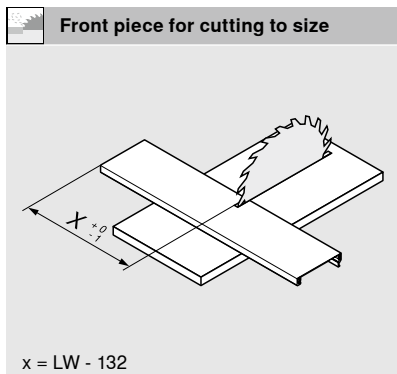
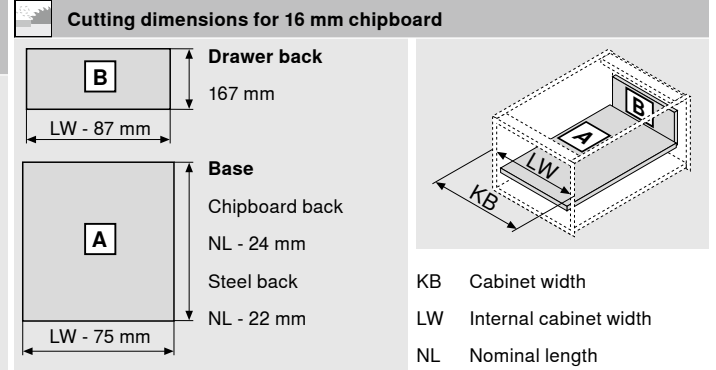
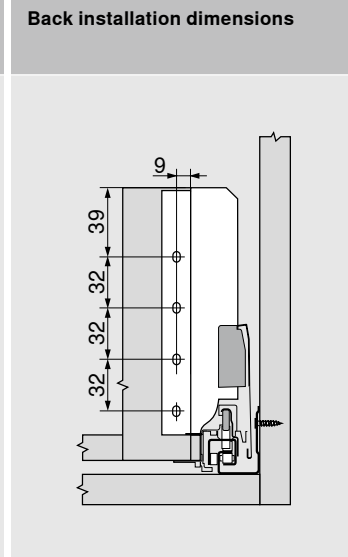
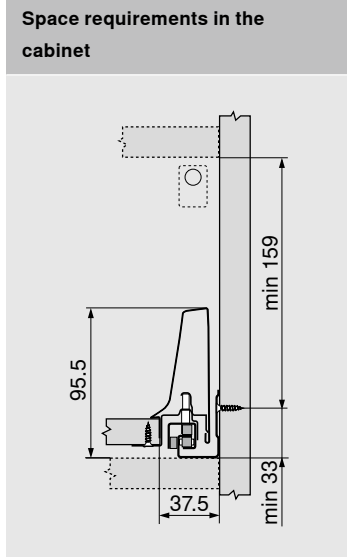
8 	Longside gallery rail left/right		
	Colour options	SW	R9006
	NL (mm)	Steel	
	270	ZRG.207RSIC	
	300	ZRG.237RSIC	
	350	ZRG.287RSIC	
	400	ZRG.337RSIC	
	450	ZRG.387RSIC	
	500	ZRG.437RSIC	
	550	ZRG.487RSIC	
	600	ZRG.537RSIC	
650	ZRG.587RSIC		

Consisting of:

4a	1 x front fixing left/right	
4b	2 x gallery head	ZRG.000RF
4c	1 x locking piece	Z31A0008

5 	Front piece		
	Colour options	SW	R9006
	Aluminium	Z31L1036A	
	For cutting to size		

Planning



High fronted pull-out with aluminium frame

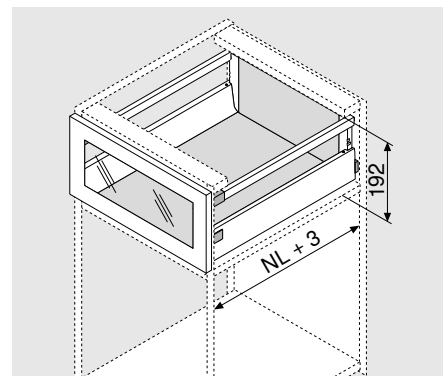
Product



Description

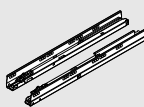
- With single gallery
- Concealed, guided full extension
- Tool-free front assembly
- 3-dimensional front adjustment
- With integrated BLUMOTION, can be combined with SERVO-DRIVE or with TIP-ON BLUMOTION

Space requirement

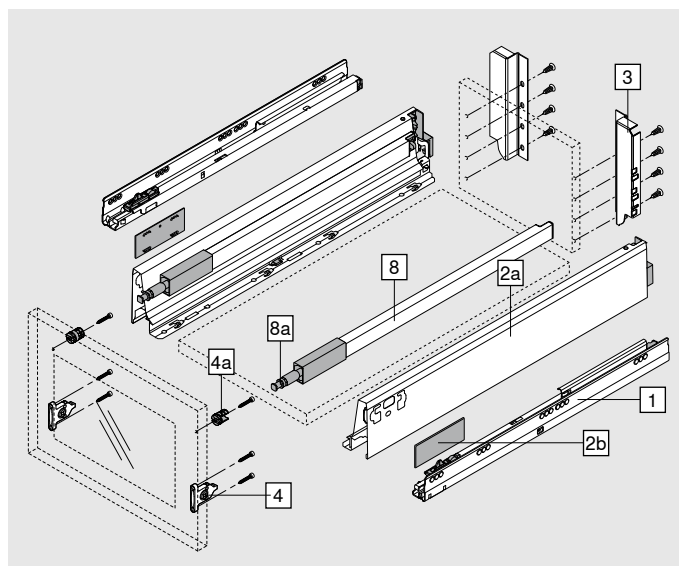


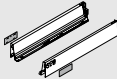
NL Nominal length

Ordering information

1	Cabinet profiles left/right		
	Dynamic carrying capacity (kg)		
	Nominal length NL (mm)	BLUMOTION*	
30 kg		65 kg	
	270	578.2701M	
	300	578.3001M	
	350	578.3501M	
	400	578.4001M	
	450	578.4501M	576.4501M
	500	578.5001M	576.5001M
	550	578.5501M	576.5501M
	600	578.6001M	576.6001M
	650		576.6501M

*Suitable for SERVO-DRIVE and TIP-ON BLUMOTION



2	Drawer side set	
	Colour options	
	NL (mm)	SW R9006
	270	Steel 378M2702SA
	300	378M3002SA
	350	378M3502SA
	400	378M4002SA
	450	378M4502SA
	500	378M5002SA
	550	378M5502SA
	600	378M6002SA
	650	378M6502SA
Consisting of:		
2a	1 x drawer side left/right	
2b	2 x cover cap, stamped with Blum logo, custom printed from 1000 pcs	

High fronted pull-out with aluminium frame

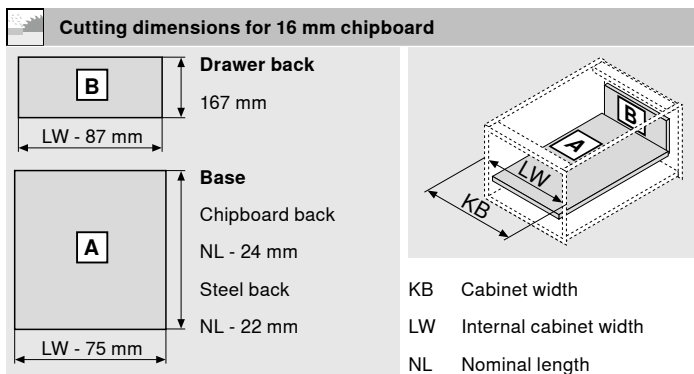
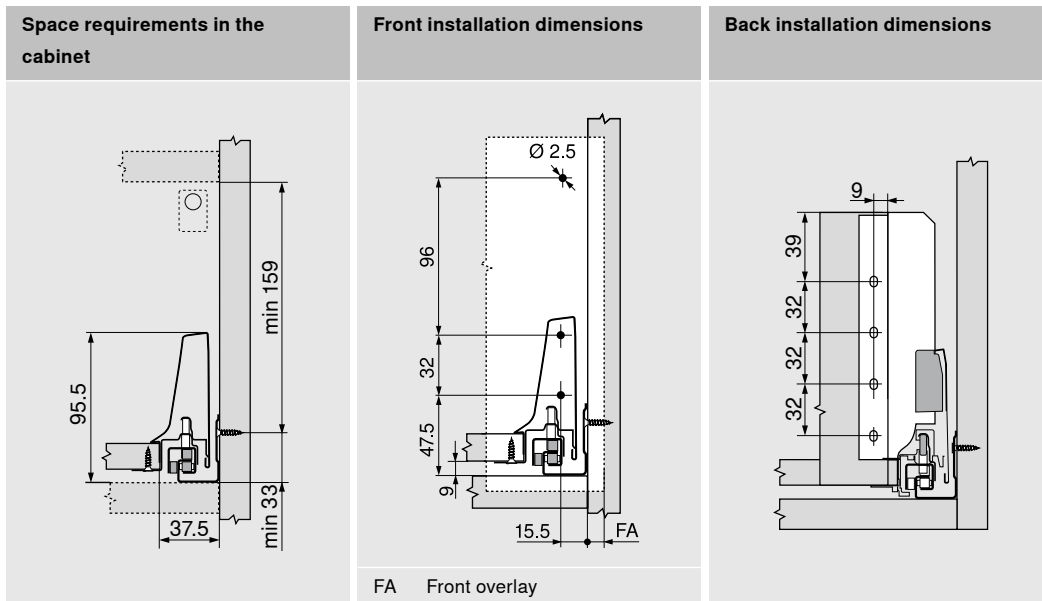
Ordering information

	3 Chipboard back fixing left/right		
	Colour options	SW	R9006
	Steel	Z30.C000S	
	Steel back	43	
	4 Front fixing bracket		
	Screw-on	2x	
ZSF.35A2			
	4a Adapter for aluminium frame, symmetrical		
	Colour options	Natural/white	
	Nylon	2x	
ZRF.2210			

	8 Longside gallery rail left/right		
	Colour options	SW	R9006
	NL (mm)	Steel	
	270	ZRG.207RSIC	
	300	ZRG.237RSIC	
	350	ZRG.287RSIC	
	400	ZRG.337RSIC	
	450	ZRG.387RSIC	
	500	ZRG.437RSIC	
	550	ZRG.487RSIC	
600	ZRG.537RSIC		
650	ZRG.587RSIC		

	8a Gallery head	
	Colour options	Natural
	2 x nylon	
ZRG.000R5F		

Planning



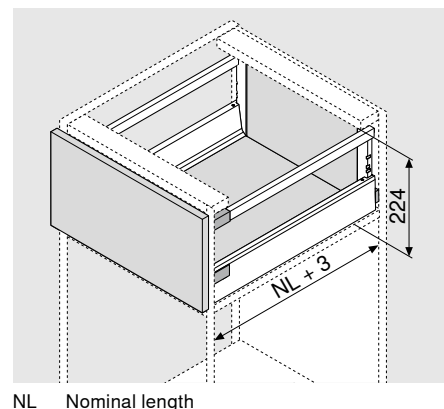
Product



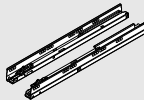
Description

- With single gallery
- Concealed, guided full extension
- Tool-free front assembly
- 3-dimensional front adjustment
- With integrated BLUMOTION, can be combined with SERVO-DRIVE or with TIP-ON BLUMOTION

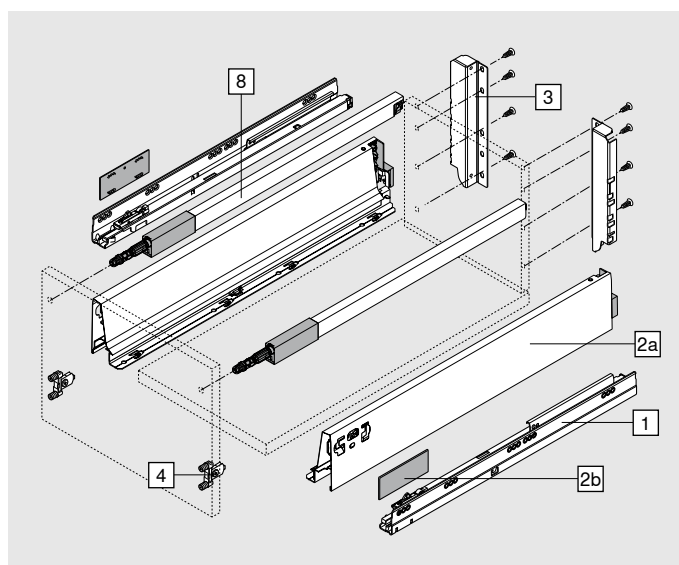
Space requirement

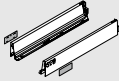


Ordering information

1	Cabinet profiles left/right		
	Dynamic carrying capacity (kg)		
	Nominal length NL (mm)	BLUMOTION*	
30 kg		65 kg	
	270	578.2701M	
	300	578.3001M	
	350	578.3501M	
	400	578.4001M	
	450	578.4501M	576.4501M
	500	578.5001M	576.5001M
	550	578.5501M	576.5501M
	600	578.6001M	576.6001M
	650		576.6501M

*Suitable for SERVO-DRIVE and TIP-ON BLUMOTION



2	Drawer side set	SW	R9006
		Steel	
	Colour options		
	NL (mm)		
	270	378M2702SA	
	300	378M3002SA	
	350	378M3502SA	
	400	378M4002SA	
	450	378M4502SA	
	500	378M5002SA	
	550	378M5502SA	
	600	378M6002SA	
	650	378M6502SA	

Consisting of:

2a	1 x drawer side left/right
2b	2 x cover cap, stamped with Blum logo, custom printed from 1000 pcs

Ordering information

3 	Chipboard back fixing left/right		
	Colour options	SW	R9006
	Steel	Z30D000SL	
	Steel back	43	

4 	Front fixing bracket		
	INSERTA	2x	ZSF.39A2
	Screw-on	2x	ZSF.35A2
	Knock-in	2x	ZSF.36A2

8 	Longside gallery rail left/right		
	Colour options	SW	R9006
	NL (mm)	Steel	
	270	ZRG.207RSIC	
	300	ZRG.237RSIC	
	350	ZRG.287RSIC	
	400	ZRG.337RSIC	
	450	ZRG.387RSIC	
	500	ZRG.437RSIC	
	550	ZRG.487RSIC	
	600	ZRG.537RSIC	
	650	ZRG.587RSIC	

Planning

Space requirements in the cabinet	Front installation dimensions	Drilling distances – front – INSERTA knock-in assembly	Back installation dimensions
	FA Front overlay		

Cutting dimensions for 16 mm chipboard

	Drawer back 199 mm	
	Base Chipboard back NL - 24 mm Steel back NL - 22 mm	
	KB Cabinet width	
	LW Internal cabinet width	
	NL Nominal length	

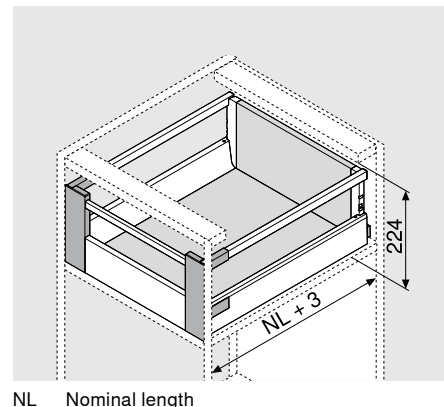
Product



Description

- With single gallery
- Concealed, guided full extension
- Tool-free front assembly
- 3-dimensional front adjustment
- With integrated BLUMOTION, can be combined with SERVO-DRIVE or with TIP-ON BLUMOTION

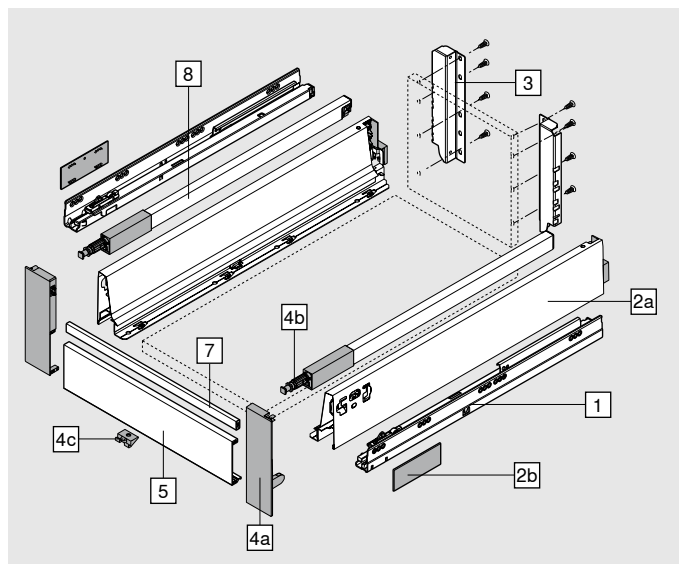
Space requirement



Ordering information

1	Cabinet profiles left/right		
	Dynamic carrying capacity (kg)		
	Nominal length NL (mm)	BLUMOTION*	
		30 kg	65 kg
	270	578.2701M	
	300	578.3001M	
	350	578.3501M	
	400	578.4001M	
	450	578.4501M	576.4501M
	500	578.5001M	576.5001M
550	578.5501M	576.5501M	
600	578.6001M	576.6001M	
650		576.6501M	

*Suitable for SERVO-DRIVE and TIP-ON BLUMOTION



2	Drawer side set	SW	R9006
	Colour options	Steel	
	NL (mm)		
	270	378M2702SA	
	300	378M3002SA	
	350	378M3502SA	
	400	378M4002SA	
	450	378M4502SA	
	500	378M5002SA	
	550	378M5502SA	
	600	378M6002SA	
650	378M6502SA		

Consisting of:

2a	1 x drawer side left/right
2b	2 x cover cap, stamped with Blum logo, custom printed from 1000 pcs

Ordering information

3 	Chipboard back fixing left/right		
	Colour options	SW	R9006
	Steel	Z30D000SL	
	Steel back	43	

4 	Front fixing set		
	Colour options	SW	WGR
	Nylon	ZIF.76D0	

Consisting of:

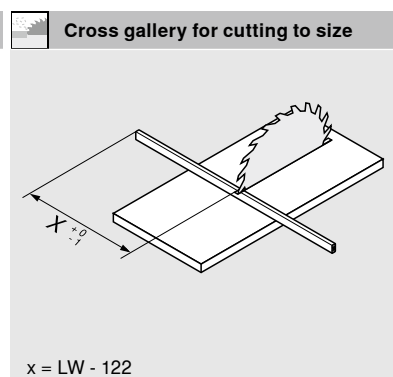
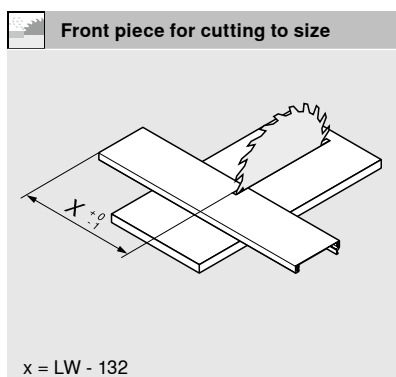
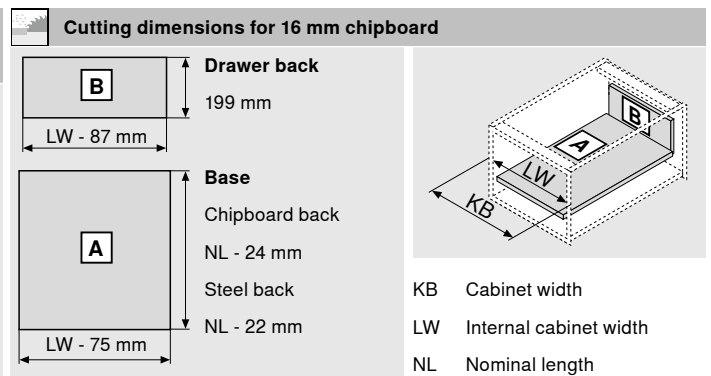
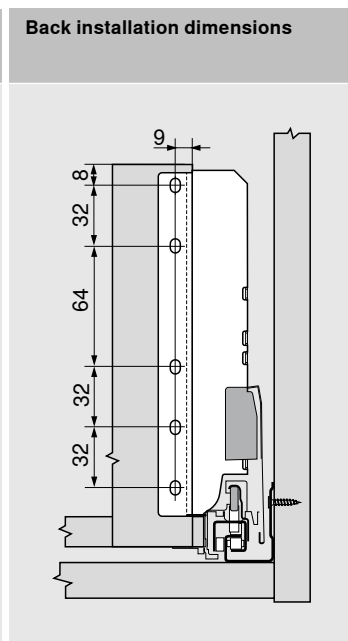
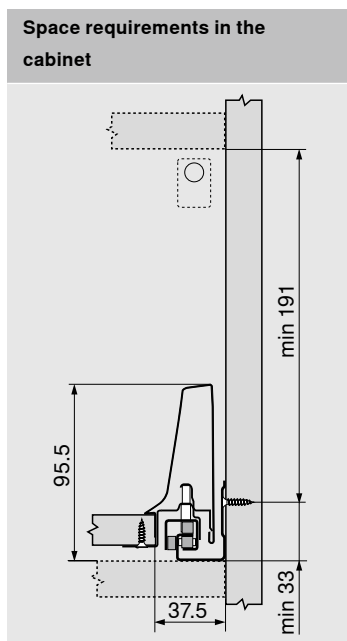
4a	1 x front fixing left/right	
4b	2 x gallery head	ZRG.000R5F
4c	1 x locking piece	Z31A0008

5 	Front piece		
	Colour options	SW	R9006
	Aluminium	Z31L1036A	
	For cutting to size		

7 	Cross gallery		
	Colour options	SW	R9006
	Aluminium	ZRG.1046Z	
	For cutting to size		

8 	Longside gallery rail left/right		
	Colour options	SW	R9006
	NL (mm)	Steel	
	270	ZRG.207RSIC	
	300	ZRG.237RSIC	
	350	ZRG.287RSIC	
	400	ZRG.337RSIC	
	450	ZRG.387RSIC	
	500	ZRG.437RSIC	
	550	ZRG.487RSIC	
	600	ZRG.537RSIC	
650	ZRG.587RSIC		

Planning



High fronted pull-out with aluminium frame

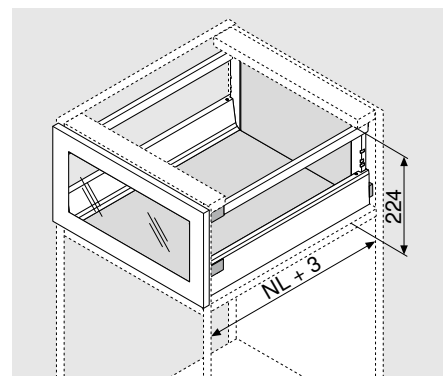
Product



Description

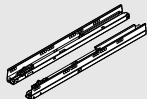
- With single gallery
- Concealed, guided full extension
- Tool-free front assembly
- 3-dimensional front adjustment
- With integrated BLUMOTION, can be combined with SERVO-DRIVE or with TIP-ON BLUMOTION

Space requirement

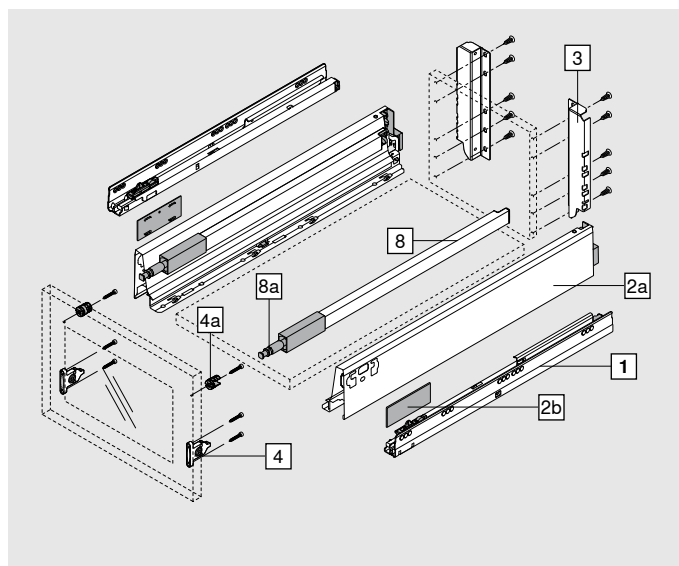


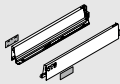
NL Nominal length

Ordering information

1	Cabinet profiles left/right		
	Dynamic carrying capacity (kg)		
	Nominal length NL (mm)	BLUMOTION*	
30 kg		65 kg	
	270	578.2701M	
	300	578.3001M	
	350	578.3501M	
	400	578.4001M	
	450	578.4501M	576.4501M
	500	578.5001M	576.5001M
	550	578.5501M	576.5501M
	600	578.6001M	576.6001M
	650		576.6501M

*Suitable for SERVO-DRIVE and TIP-ON BLUMOTION



2	Drawer side set		
	Colour options	SW	R9006
	NL (mm)	Steel	
	270	378M2702SA	
	300	378M3002SA	
	350	378M3502SA	
	400	378M4002SA	
	450	378M4502SA	
	500	378M5002SA	
	550	378M5502SA	
	600	378M6002SA	
650	378M6502SA		
Consisting of:			
2a	1 x drawer side left/right		
2b	2 x cover cap, stamped with Blum logo, custom printed from 1000 pcs		

High fronted pull-out with aluminium frame

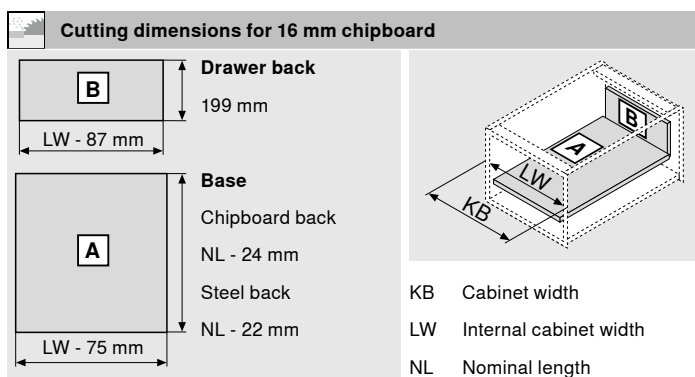
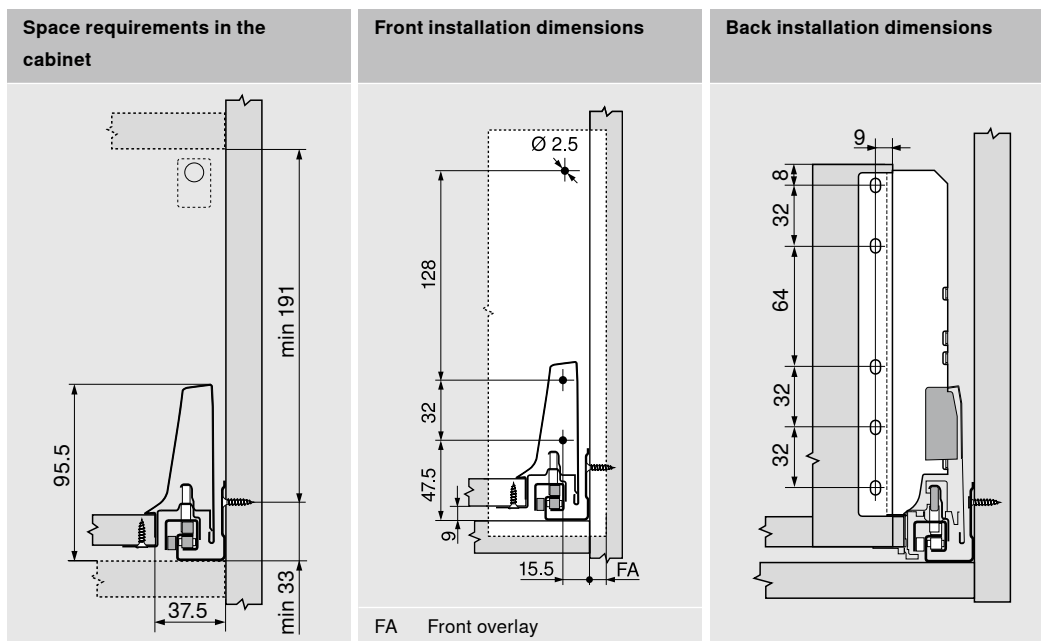
Ordering information

	3 Chipboard back fixing left/right		
	Colour options	SW	R9006
	Steel	Z30D000SL	
	Steel back		43
	4 Front fixing bracket		
	Screw-on		2x
	ZSF.35A2		
	4a Adapter for aluminium frame, symmetrical		
	Colour options	Natural/white	
	2x	Nylon	
	ZRF.2210		

	8 Longside gallery rail left/right		
	Colour options	SW	R9006
	NL (mm)	Steel	
	270	ZRG.207RSIC	
	300	ZRG.237RSIC	
	350	ZRG.287RSIC	
	400	ZRG.337RSIC	
	450	ZRG.387RSIC	
	500	ZRG.437RSIC	
550	ZRG.487RSIC		
600	ZRG.537RSIC		
650	ZRG.587RSIC		

	8a Gallery head	
	Colour options	Natural
	2 x nylon	
	ZRG.000R5F	

Planning



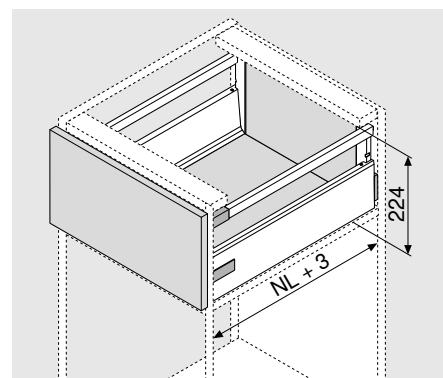
Product



Description

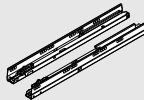
- With single gallery
- Concealed, guided full extension
- Tool-free front assembly
- 3-dimensional front adjustment
- With integrated BLUMOTION, can be combined with SERVO-DRIVE or with TIP-ON BLUMOTION

Space requirement

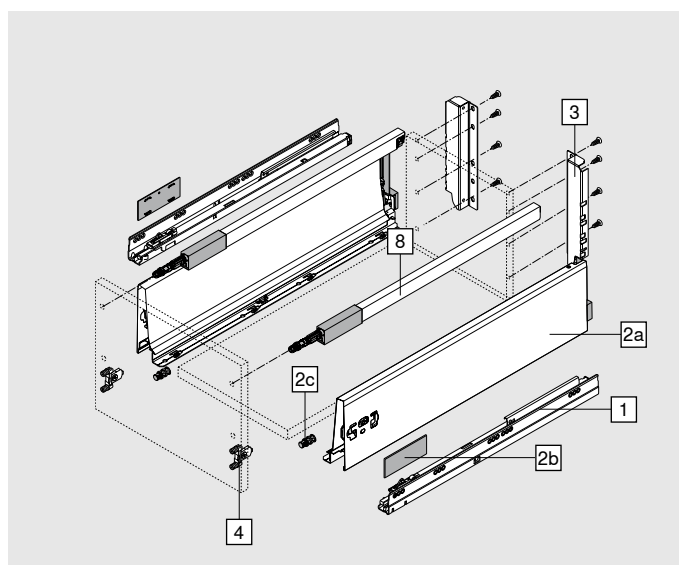


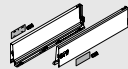
NL Nominal length

Ordering information

1	Cabinet profiles left/right		
	Nominal length NL (mm)	BLUMOTION*	
		30 kg	65 kg
	270	578.2701M	
	300	578.3001M	
	350	578.3501M	
	400	578.4001M	
	450	578.4501M	576.4501M
	500	578.5001M	576.5001M
	550	578.5501M	576.5501M
	600	578.6001M	576.6001M
	650		576.6501M

*Suitable for SERVO-DRIVE and TIP-ON BLUMOTION



2	Drawer side set		
	Colour options	SW	WGR
	NL (mm)	Steel	
	270	378K2702SA	
	300	378K300SA	
	350	378K350SA	
	400	378K400SA	
	450	378K450SA	
	500	378K500SA	
	550	378K550SA	
	600	378K600SA	
	650	378K650SA	

Consisting of:

2a	1 x drawer side left/right
2b	2 x cover cap, stamped with Blum logo, custom printed from 1000 pcs
2c	2 x positioning dowel

Ordering information

	3 Chipboard back fixing left/right		
	Colour options	SW	WGR
	Steel	Z30D000SL	
	Steel back		43

	4 Front fixing bracket		
	INSERTA	2x	ZSF.39A2
	Screw-on	2x	ZSF.35A2
	Knock-in	2x	ZSF.36A2

	8 Longside gallery rail left/right		
	Colour options	SW	WGR
	NL (mm)	Steel	
	270	ZRG.207RSIC	
	300	ZRG.237RSIC	
	350	ZRG.287RSIC	
	400	ZRG.337RSIC	
	450	ZRG.387RSIC	
	500	ZRG.437RSIC	
	550	ZRG.487RSIC	
600	ZRG.537RSIC		
650	ZRG.587RSIC		

Planning

<p>Space requirements in the cabinet</p>	<p>Front installation dimensions</p> <p>FA Front overlay</p>	<p>Drilling distances – front – INSERTA knock-in assembly</p>	<p>Back installation dimensions</p>
---	---	--	--

Cutting dimensions for 16 mm chipboard

<p>B</p> <p>Drawer back</p> <p>199 mm</p> <p>LW - 87 mm</p>	
<p>A</p> <p>Base</p> <p>Chipboard back</p> <p>NL - 24 mm</p> <p>Steel back</p> <p>NL - 22 mm</p> <p>LW - 75 mm</p>	

KB Cabinet width
 LW Internal cabinet width
 NL Nominal length

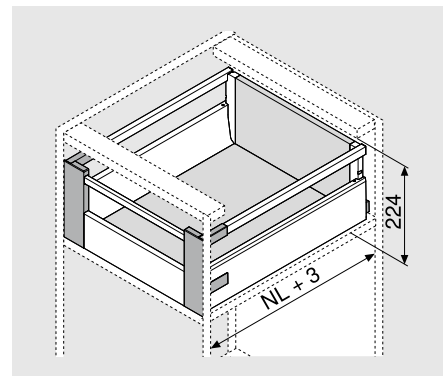
Product



Description

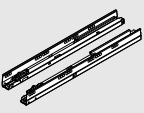
- With single gallery
- Concealed, guided full extension
- Tool-free front assembly
- 3-dimensional front adjustment
- With integrated BLUMOTION, can be combined with SERVO-DRIVE or with TIP-ON BLUMOTION

Space requirement

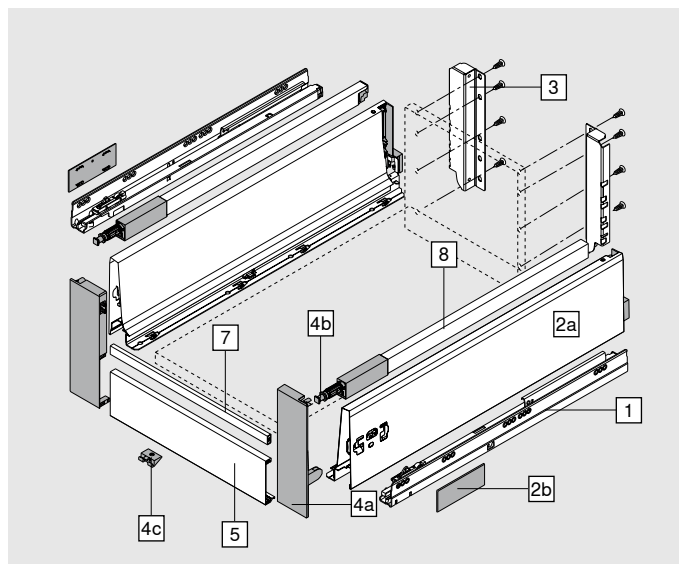


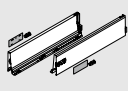
NL Nominal length

Ordering information

1	Cabinet profiles left/right		
	Nominal length NL (mm)	BLUMOTION*	
		30 kg	65 kg
	270	578.2701M	
	300	578.3001M	
	350	578.3501M	
	400	578.4001M	
	450	578.4501M	576.4501M
	500	578.5001M	576.5001M
	550	578.5501M	576.5501M
	600	578.6001M	576.6001M
	650		576.6501M

*Suitable for SERVO-DRIVE and TIP-ON BLUMOTION



2	Drawer side set		
	Colour options	SW	WGR
	NL (mm)	Steel	
	270	378K2702SA	
	300	378K3002SA	
	350	378K3502SA	
	400	378K4002SA	
	450	378K4502SA	
	500	378K5002SA	
	550	378K5502SA	
	600	378K6002SA	
	650	378K6502SA	

Consisting of:

2a	1 x drawer side left/right
2b	2 x cover cap, stamped with Blum logo, custom printed from 1000 pcs
-	2 x positioning dowel (not required for inner drawer)

Ordering information

	3 Chipboard back fixing left/right		
	Colour options	SW	R9006
	Steel	Z30D000SL	
	Steel back	43	

	7 Cross gallery		
	Colour options	SW	R9006
	Aluminium	ZRG.1046Z	
	For cutting to size		

	4 Front fixing set		
	Colour options	SW	WGR
	Nylon	ZIF.76D0	

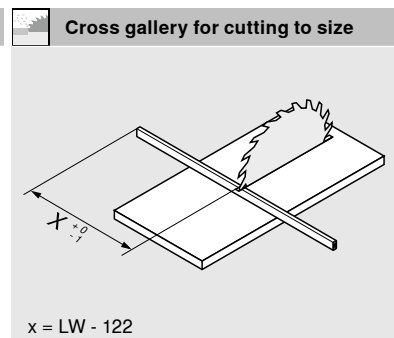
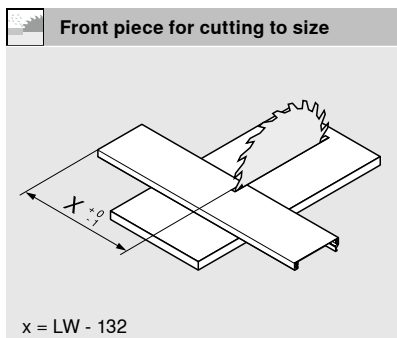
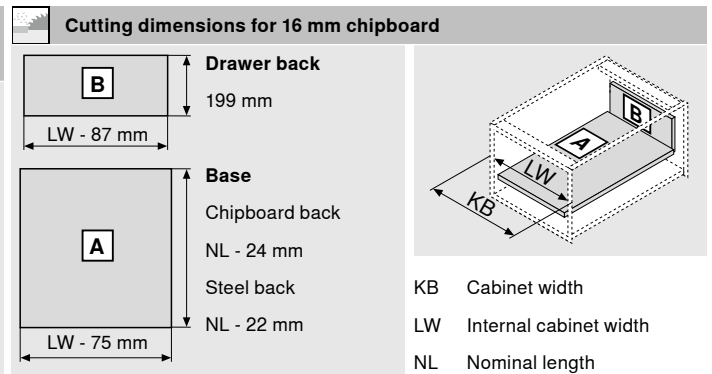
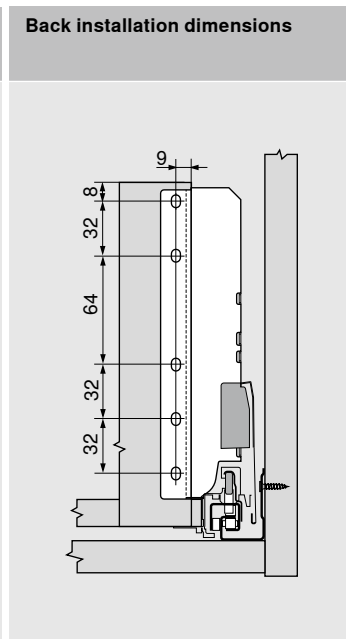
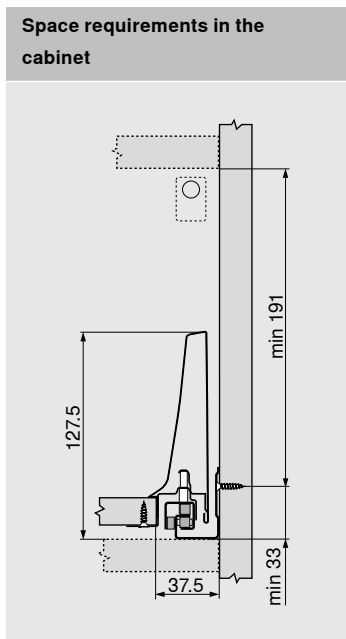
	8 Longside gallery rail left/right		
	Colour options	SW	WGR
	NL (mm)	Steel	
	270	ZRG.207RSIC	
	300	ZRG.237RSIC	
	350	ZRG.287RSIC	
	400	ZRG.337RSIC	
	450	ZRG.387RSIC	
	500	ZRG.437RSIC	
	550	ZRG.487RSIC	
	600	ZRG.537RSIC	
	650	ZRG.587RSIC	

Consisting of:

4a	1 x front fixing left/right	
4b	2 x gallery head	ZRG.000R5F
4c	1 x locking piece	Z31A0008

	5 Front piece		
	Colour options	SW	R9006
	Aluminium	Z31L1036A	
	For cutting to size		

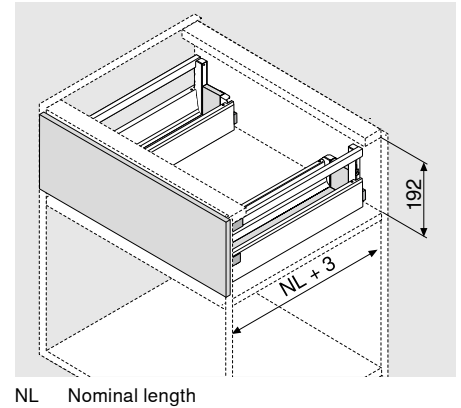
Planning



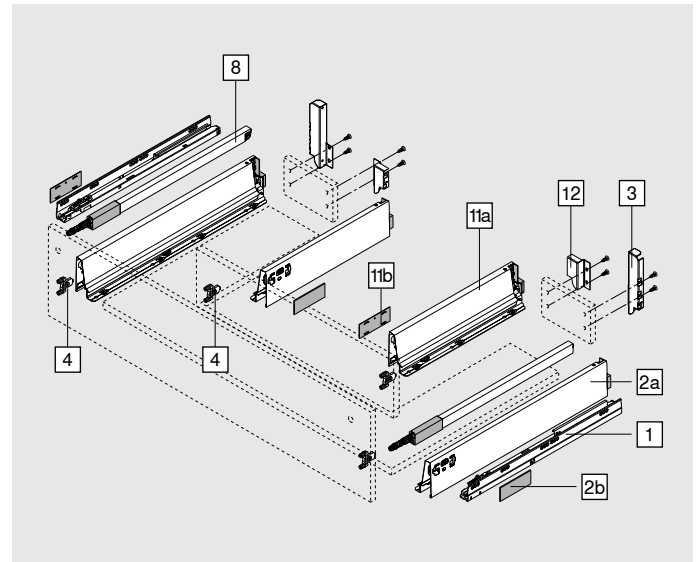
Product

Description

- Can be implemented with standard components
- With single gallery
- Concealed, guided full extension
- Tool-free front assembly
- 3-dimensional front adjustment
- With integrated BLUMOTION, can be combined with SERVO-DRIVE or with TIP-ON BLUMOTION

Space requirement

Ordering information

1	Cabinet profiles left/right		
	Dynamic carrying capacity (kg)		
	Nominal length NL (mm)	BLUMOTION*	
		30 kg	65 kg
	450	578.4501M	
	500	578.5001M	
	550	578.5501M	
600	578.6001M	576.6001M	
650		576.6501M	
*Suitable for SERVO-DRIVE and TIP-ON BLUMOTION			



2	Outer drawer side set		
	Colour options	SW	R9006
	NL (mm)	Steel	
	450	378M4502SA	
	500	378M5002SA	
	550	378M5502SA	
	600	378M6002SA	
650	378M6502SA		
Consisting of:			
2a	1 x drawer side left/right		
2b	2 x cover cap, stamped with Blum logo, custom printed from 1000 pcs		

4	Front fixing bracket		
	INSERTA	4x	ZSF.39A2
	Screw-on	4x	ZSF.35A2
	Knock-in	4x	ZSF.36A2

12	Chipboard back fixing left/right		
	Colour options	SW	R9006
	Steel	Z30M000S.04	
	Steel back	43	

3	Sink chipboard back fixing left/right		
	Colour options	SW	R9006
	Steel	Z30C000S.22	
	Steel back	43	

Front/base stabiliser			
	Stabilises wide and high fronts. Reinforces the connection between the drawer side and the front.		
	Z96.10E1		
	Planning	45	

Ordering information

8	Longside gallery rail left/right		
	Colour options	SW	WGR
	NL (mm)	Steel	
	450	ZRG.387RSIC	
	500	ZRG.437RSIC	
	550	ZRG.487RSIC	
	600	ZRG.537RSIC	
650	ZRG.587RSIC		

11	Inner drawer side set		
	Colour options	SW	R9006
	NL (mm)	Steel	
	300	378M300SA	
	350	378M350SA	
	400	378M400SA	
	450	378M450SA	
500	378M500SA		

Consisting of:

11a	1 x drawer side left/right
11b	2 x cover cap, stamped with Blum logo, custom printed from 1000 pcs

For effective use of storage space, we recommend: Nominal length NL of outer drawer side (no 2) - nominal length NL of inner drawer side (no 11) = min. 150 mm

Planning

Space requirements in the cabinet

Front installation dimensions

FA Front overlay

Drilling distances – front – INSERTA | knock-in assembly

Back installation dimensions

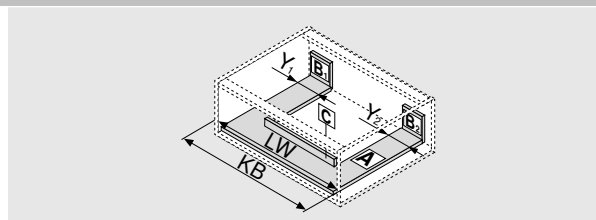
Cutting dimensions for 16 mm chipboard

Drawer back
84 mm

Drawer base
Chipboard back
NL - 24 mm

Centre piece
71 mm

Y min. BLUMOTION = 48 mm
 Y min. TIP-ON BLUMOTION = 75 mm
 Y max. = 225 mm



- KB Cabinet width
- LW Internal cabinet width
- NL Nominal length
- SPW Internal width between sink drawer sides

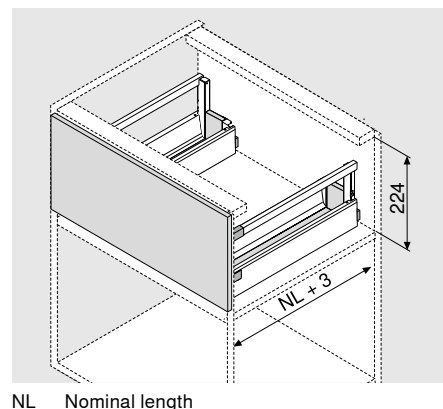
$W = NL \text{ outer drawer side} - NL \text{ inner drawer side} - 10 \text{ mm}$

Drilling distances – centre piece

Product

Description

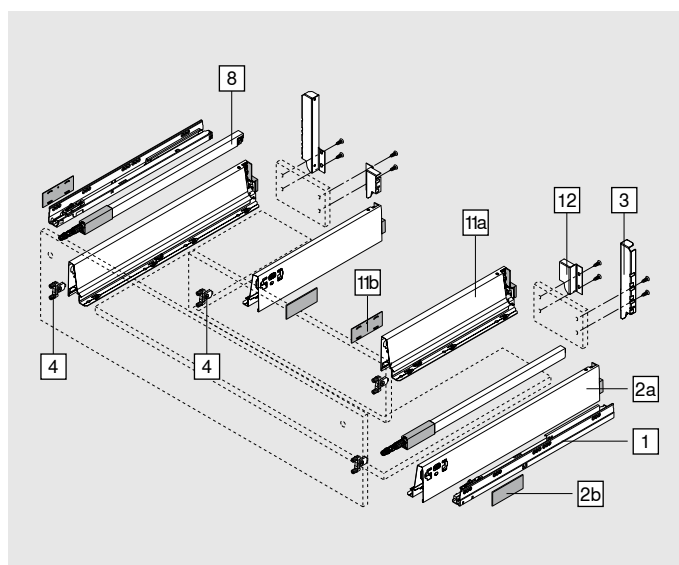
- With single gallery
- Concealed, guided full extension
- Tool-free front assembly
- 3-dimensional front adjustment
- With integrated BLUMOTION, can be combined with SERVO-DRIVE or with TIP-ON BLUMOTION

Space requirement


NL Nominal length

Ordering information

1	Cabinet profiles left/right		
	Dynamic carrying capacity (kg)		
	Nominal length NL (mm)	BLUMOTION*	
		30 kg	65 kg
	450	578.4501M	
	500	578.5001M	
	550	578.5501M	
600	578.6001M	576.6001M	
650		576.6501M	
*Suitable for SERVO-DRIVE and TIP-ON BLUMOTION			



2	Outer drawer side set		
	Colour options	SW	R9006
	NL (mm)	Steel	
	450	378M4502SA	
	500	378M5002SA	
	550	378M5502SA	
	600	378M6002SA	
650	378M6502SA		
Consisting of:			
2a	1 x drawer side left/right		
2b	2 x cover cap, stamped with Blum logo, custom printed from 1000 pcs		

3	Sink chipboard back fixing left/right		
	Colour options	SW	R9006
	Steel	Z30D000S.22	
	Steel back	43	

4	Front fixing bracket		
	INSERTA	4x	ZSF.39A2
	Screw-on	4x	ZSF.35A2
	Knock-in	4x	ZSF.36A2

12	Chipboard back fixing left/right		
	Colour options	SW	R9006
	Steel	Z30M000S.04	
	Steel back	43	

Front/base stabiliser			
	Stabilises wide and high fronts. Reinforces the connection between the drawer side and the front.		
	Z96.10E1		
	Planning	45	

Ordering information

8	Longside gallery rail left/right		
	Colour options	SW	WGR
	NL (mm)	Steel	
	450	ZRG.387RSIC	
	500	ZRG.437RSIC	
	550	ZRG.487RSIC	
	600	ZRG.537RSIC	
650	ZRG.587RSIC		

11	Inner drawer side set		
	Colour options	SW	R9006
	NL (mm)	Steel	
	300	378M300SA	
	350	378M350SA	
	400	378M400SA	
	450	378M450SA	
500	378M500SA		

Consisting of:

11a	1 x drawer side left/right
11b	2 x cover cap, stamped with Blum logo, custom printed from 1000 pcs

For effective use of storage space, we recommend: Nominal length NL of outer drawer side (no 2) - nominal length NL of inner drawer side (no 11) = min. 150 mm

Planning

Space requirements in the cabinet

Front installation dimensions

FA Front overlay

Drilling distances – front – INSERTA | knock-in assembly

Back installation dimensions

Cutting dimensions for 16 mm chipboard

Drawer back

84 mm

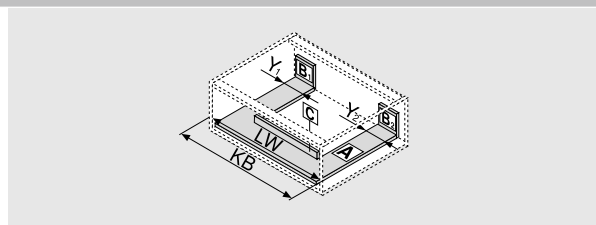
Drawer base

Chipboard back
NL - 24 mm

Centre piece

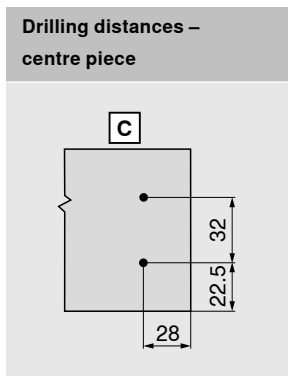
71 mm

Y min. BLUMOTION = 48 mm
Y min. TIP-ON BLUMOTION = 75 mm
Y max. = 225 mm



- KB Cabinet width
- LW Internal cabinet width
- NL Nominal length
- SPW Internal width between sink drawer sides

$W = NL \text{ outer drawer side} - NL \text{ inner drawer side} - 10 \text{ mm}$



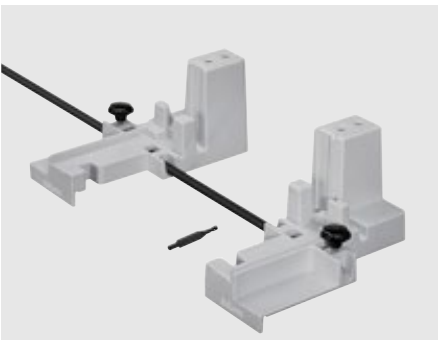
BOXFIX plus



- Pneumatic assembly device for the efficient assembly of drawers and high fronted pull-outs
- Assembly type: Screws (or nails)
- Nominal length: 270–650 mm
- Cabinet width: 275–1200 mm
- Can be used for chipboard back and steel back

Ordering information	
BOXFIX plus	
	ZMM.2500

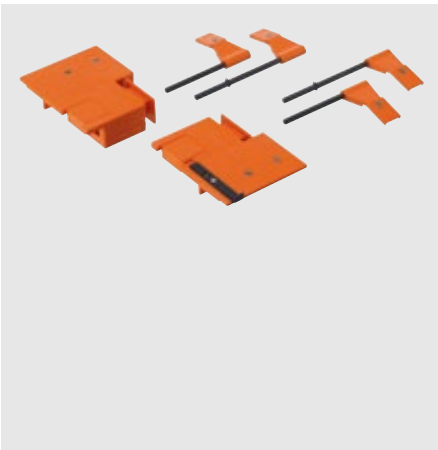
BOXFIX E-T



- Convenient device for fast assembly of TANDEMBOX antaro
- All TANDEMBOX antaro components are assembled seamlessly with great precision
- For all drawer side materials
- Assembly type: Screws
- Nominal length: 270–650 mm
- Cabinet width: 250–1200 mm
- Material: Nylon/steel

Ordering information	
BOXFIX E-T	
	ZMM.0350

Marking template for TANDEMBOX antaro



- Template for marking the fixing positions of front fixings
- Material: Nylon/steel

Ordering information	
Marking template for TANDEMBOX antaro	
TANDEMBOX – 378N	ZML.3510
TANDEMBOX – 378M 378K	ZML.3580.01

MINIPRESS top



- Automatically calculates the exact drilling positions (combined with EASYSTICK)
- Ruler moves automatically (x-axis) for workpiece dimensions up to 2681 mm
- Vertical drilling unit (y-axis) moves automatically up to 350 mm
- Tool-free drill head clamping technology
- Optional horizontal drilling
- Quick change of drilling heads already equipped with drill bits

Ordering information	
MINIPRESS top with EASYSTICK	
incl. HOZ	M75E2000
	M70E2000
MINIPRESS top without EASYSTICK	
incl. HOZ	M75.2000
	M70.2000
HOZ Horizontal drilling machine	

MINIPRESS P



- Makes it easy to drill fixing holes for TANDEMBOX antaro front fixing brackets, cabinet profiles, drawer bases and chipboard back fixings.

Ordering information	
MINIPRESS P	
	M53.1050

EASYSTICK



- EASYSTICK – the new, automatic and easy to set up ruler system for drilling and insertion machines from Blum
- Tool-free adjustment and digital determination of the fixing positions for TANDEMBOX antaro front fixing bracket and cabinet profiles
- Transfer of planned data from the Cabinet Configurator via USB stick directly onto EASYSTICK
- The barcode scanner allows you to retrieve and edit imported manufacturing and drilling data

Ordering information	
EASYSTICK	
Ruler	MZD.2000
Computer	MZD.5000



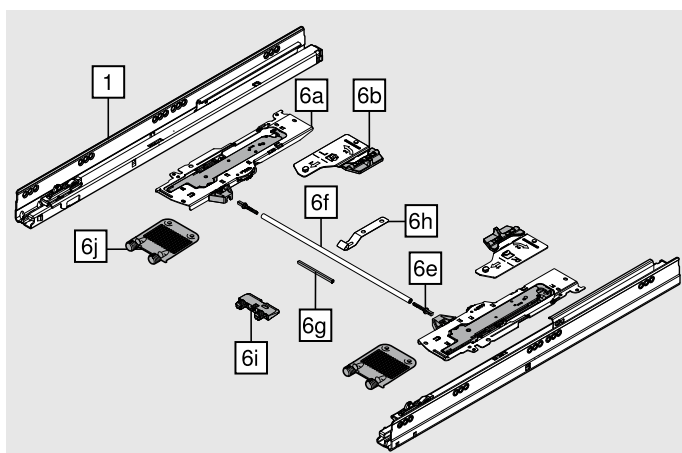
You will find information on SERVO-DRIVE for TANDEMBOX antaro in the Blum catalogue: www.blum.com/catalogue

TIP-ON BLUMOTION

TANDEMBOX TIP-ON BLUMOTION cabinet profile



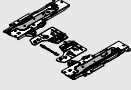
- TIP-ON mechanical opening support system combined with BLUMOTION for soft and effortless closing
- Front gap 2.5 mm
- Four-dimensional front adjustment
- Extensive trigger range
- Synchronised feather-light glide
- Synchronisation for internal cabinet widths (LW) of 238 mm or more




1	Cabinet profiles left/right		
	For TIP-ON BLUMOTION		
	Nominal length (mm)	30 kg	65 kg
	270	578.2701M	
	300	578.3001M	
	350	578.3501M	
	400	578.4001M	
	450	578.4501M	576.4501M
	500	578.5001M	576.5001M
	550	578.5501M	576.5501M
	600	578.6001M	576.6001M
650		576.6501M	

TIP-ON BLUMOTION


Ordering information

6		TIP-ON BLUMOTION set				
		NL (mm)	Unit	Cabinet profile (kg)	Weight (kg) ¹	
		270–300	S0	30	≤ 10	T60B3030
		270–300	S1	30	> 10–20	T60B3130
		350–600	L1	30	≤ 20	T60B3330
		350–600	L3	30	15–30 ²	T60B3530
		450–650	L5	65	< 30–65 ³	T60B3560
Consisting of:						
6a	1x	TIP-ON BLUMOTION unit left/right				
6b	1x	TIP-ON BLUMOTION latch left/right				
6e	2x	TIP-ON BLUMOTION synchronisation adapter				
	¹	Recommended weight ranges (total weight of the pull-out) for an optimum opening and closing function				
	²	Can only be combined with a 30 kg cabinet profile				
	³	Recommendation: Only use in combination with a 65 kg cabinet profile				

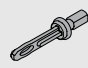
Internal cabinet width LW ≥ 287 mm


6f		TIP-ON BLUMOTION synchronisation linkage		
		Version	Colour	
		Round	Grey	T60.1125W
		In combination with 6e 2 x T60.000D		
Suitable up to internal cabinet width LW 1370 mm				
Note				
To optimise the function and trigger range, we generally recommend using synchronisation				
Cutting	Internal cabinet width LW - 240 mm			

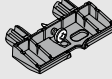
Internal cabinet width LW 238–286 mm

6g		TIP-ON BLUMOTION synchronisation		
		Version	Colour	
		Square	R7035	T60.300D
		Cutting Internal cabinet width LW - 214 mm		

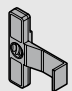
Accessories

6e		TIP-ON BLUMOTION synchronisation adapter		
		Version	Colour	
		Symmetrical	R7035	T60.000D
		Internal cabinet width LW ≥ 287 mm		

6h		TIP-ON BLUMOTION synchronisation linkage fixing		
		Cabinet width KB (mm)	Material	
		≥ 750	Steel	T60B000H
		For pull-outs over a cabinet base or cross member		
Prevents the TIP-ON BLUMOTION synchronisation linkage from sagging				

6i		Base support bracket		
		Cabinet width KB (mm)	Colour	
		≥ 750	RAL 7037	Z96.2011
		For pull-outs over a cabinet base or cross member		
Prevents the TIP-ON BLUMOTION synchronisation linkage from sagging				

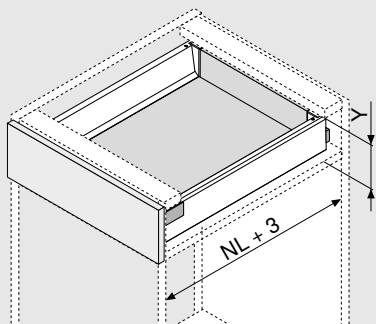
6j		Front/base stabiliser		
		Material	Colour	
		Nylon	R7037	2x Z96.10E1

-		TIP-ON BLUMOTION checking/setting template		
		Front gap FS (mm)	Colour	
		2.5	Orange	65.5627

TIP-ON BLUMOTION

Space requirements in the cabinet

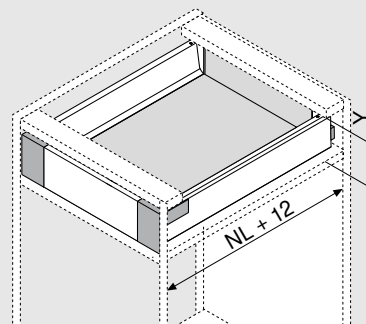
Drawer | High fronted pull-out



Back height	Y (mm)
N	85.5
M	101.5
K	133.5
B	161
C	195
D	227

NL Nominal length

Inner drawer | Inner pull-out

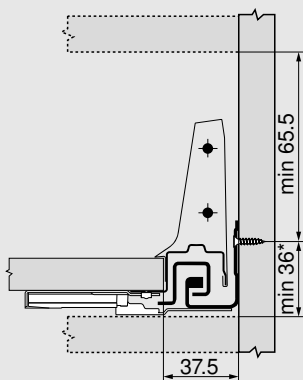


Back height	Y (mm)
M	109
K	139.5
B	161
C	195
D	227

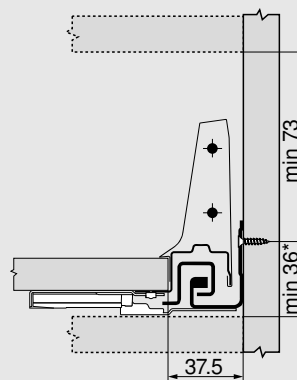
NL Nominal length

Space requirements in the cabinet

Drawer | High fronted pull-out



Inner drawer | Inner pull-out



Height M

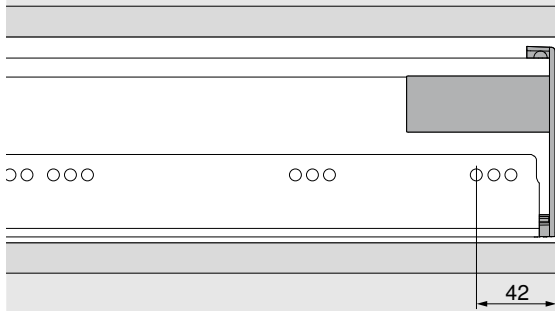
* For 36-39 mm and a cabinet width KB of ≥ 750 you require a fixing, TIP-ON BLUMOTION synchronisation and a base support bracket to prevent the synchronisation linkage from colliding with the cabinet base or the cross member

A trial application is recommended

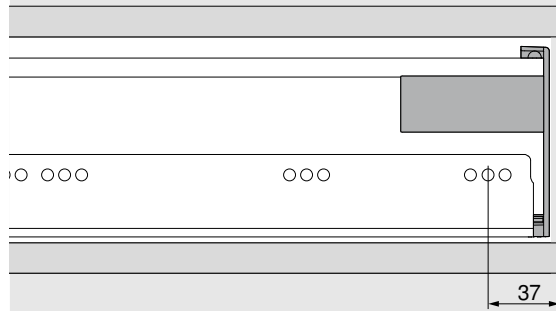
TIP-ON BLUMOTION

Screw position – inner drawer | inner pull-out

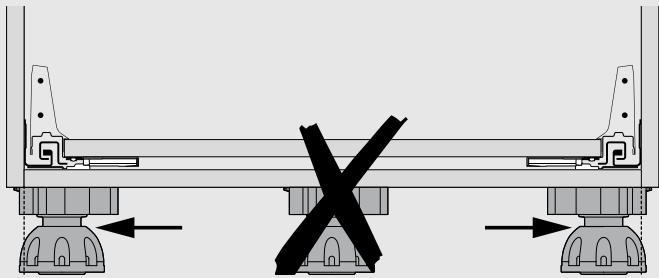
Option 1



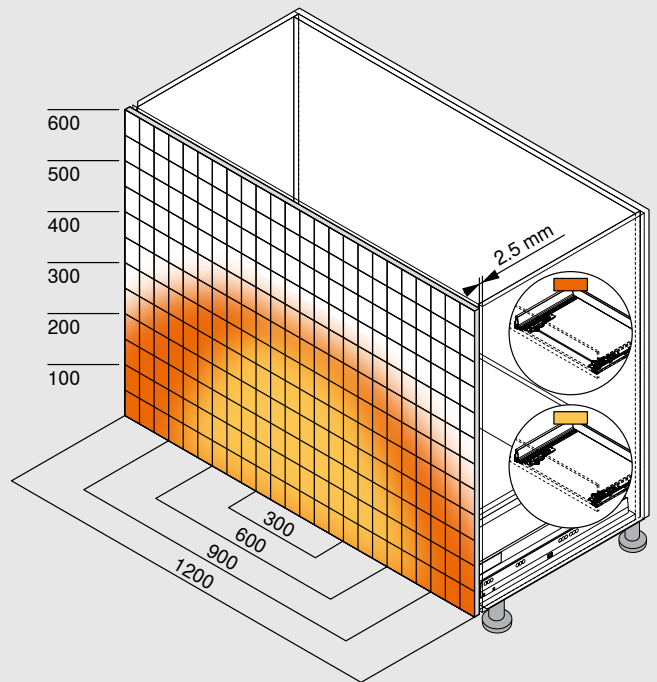
Option 2



Plinth leg



Trigger range



- With synchronisation
- Without synchronisation

Minimum front gap (mm) 2.5

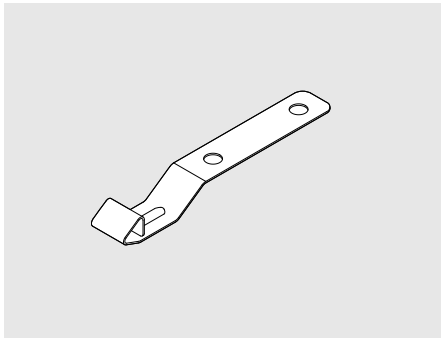
With front/base stabiliser

To optimise the function and trigger range, we generally recommend using synchronisation

Example for 578 – 30 kg | 576 – 65 kg, height D, nominal length NL 500 mm

TIP-ON BLUMOTION

TIP-ON BLUMOTION synchronisation linkage fixing



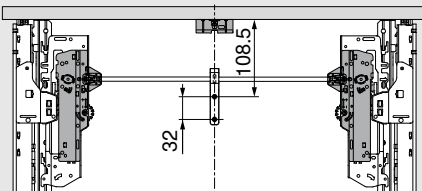
- Prevents the TIP-ON BLUMOTION synchronisation linkage from sagging
- For pull-outs over a cabinet base or cross member
- Required for cabinet widths KB of ≥ 750 mm
- Material: Steel

Ordering information

TIP-ON BLUMOTION synchronisation linkage fixing

T60B000H

Drilling distance – drawer base

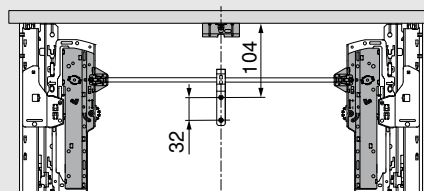


Nominal length (mm)

TIP-ON BLUMOTION unit

270–300

S0 | S1

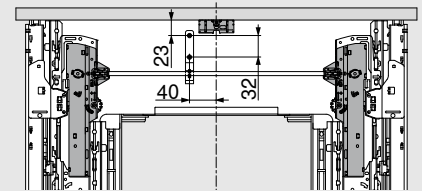


Nominal length (mm)

TIP-ON BLUMOTION unit

350–650

L1 | L3 | L5



Sink cabinet

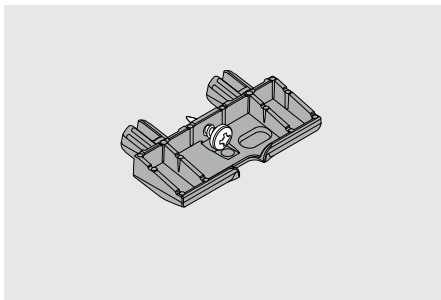
Nominal length (mm)

TIP-ON BLUMOTION unit

450–650

L1 | L3 | L5

Base support bracket



- For supporting the pull-out base
- For pull-outs over a cabinet base or cross member
- Required for cabinet widths KB of ≥ 750 mm
- Material: Nylon

Ordering information

Base support bracket

Cabinet width KB (mm)

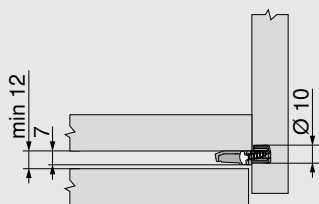
Colour

≥ 750

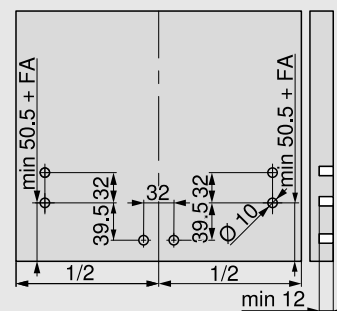
R7037 dust grey

Z96.2011

Space requirements in the cabinet



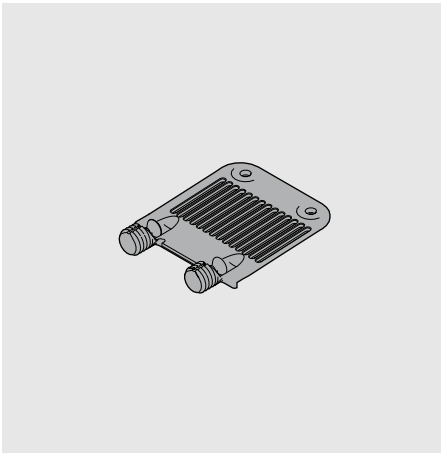
Drilling distances – front



FA Front overlay

TIP-ON BLUMOTION

Front/base stabiliser

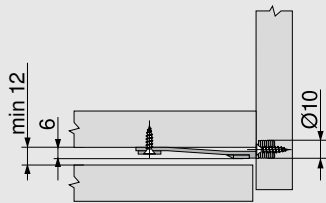


- For stabilising high fronts
- For supporting wide drawer bases
- Required:
Front height FH > 300 mm:
Cabinet width KB ≥ 750 mm: 2 pcs
- Recommendation:
Front height FH > 300 mm:
Cabinet width KB < 750 mm: 1 pc

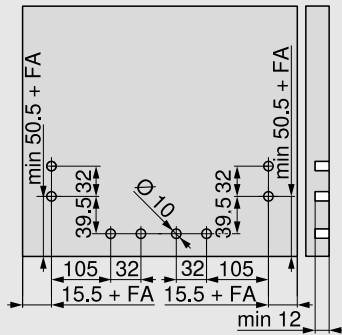
Ordering information	
Front/base stabiliser	
Fixing method	Colour
EXPANDO	R7037 dust grey
Z96.10E1	

Planning

Space requirements in the cabinet



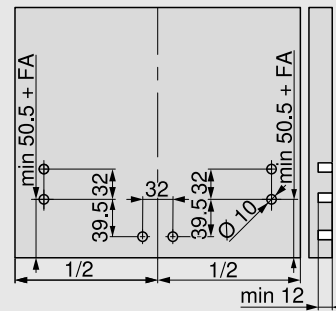
Drilling distances – front



FA Front overlay

Required:
Front height FH > 300 mm:
Cabinet width KB ≥ 750 mm: 2 pcs

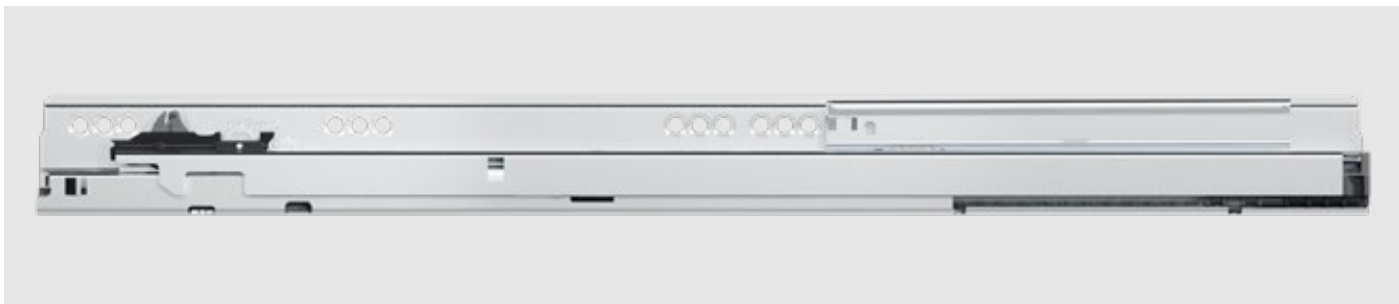
Drilling distances – front



FA Front overlay

Recommendation:
Front height FH > 300 mm:
Cabinet width KB < 750 mm: 1 pc

Cabinet profile



Cabinet profile fixing

Cabinet profile 578M – 30 kg									
NL	19**	37	115	133	165	229	261	293	
270	●○●		○●●				○○○		
300	●○●		○○●		○○●		○○○		
350	●○●		○○○		○○●			○○○	
400	●○●		○○○		○○●	○○●		○○○	
450	●○●		○○○		○○●		○○○	○○○	
500	●○●		○○○			○○●	○○●		○○○
550	●○●		○○○			○○●	○○●		○○○
600	●○●		○○○			○○●	○○●		○○○

A		+	
B			

Cabinet profile 576M – 65 kg											
NL	19*	28	37	115	165	261	293	357	453	517	549
450	●○●	●○●		○○●	○○●	○○●		○○●	**		
500–550	●○●	●○●		○○●		○○●	○○●		○○●	**	
600	●○●	●○●		○○●		○○●	○○●	○○○		○○●	**
650	●○●	●○●		○○●		○○●	○○●	○○○	○○○		○○●

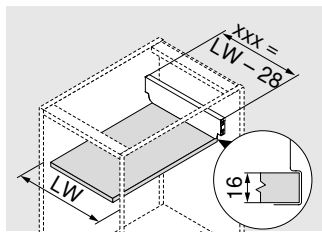
A		+	
B			

A	Chipboard screw Ø 4 x 15 mm	B	System screw part no. 661.1450.HG	*	Can be replaced with A	**	Optional for greater stability Can be replaced with A
---	--------------------------------	---	--------------------------------------	---	------------------------	----	--

Steel back

Ordering information		SW	R9006
	Colour options	Steel	
	N drawer back	☎ Z30NxxxS.6	
	M drawer back	☎ Z30MxxxS.6	
	K drawer back	☎ Z30KxxxS.6	
	C drawer back	☎ Z30CxxxS.6	
	D drawer back	☎ Z30DxxxS.6	

Calculation of width



xxx Width
LW Internal cabinet width

Example:

Internal cabinet width 567 mm - 28 mm = back width 539 mm

Order: **Z30M539S** in white

Cutting dimensions for 16 mm chipboard

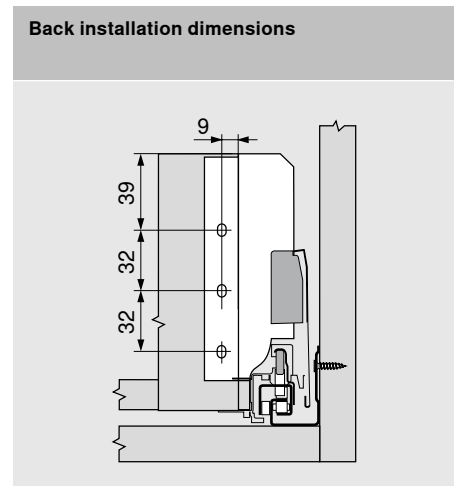
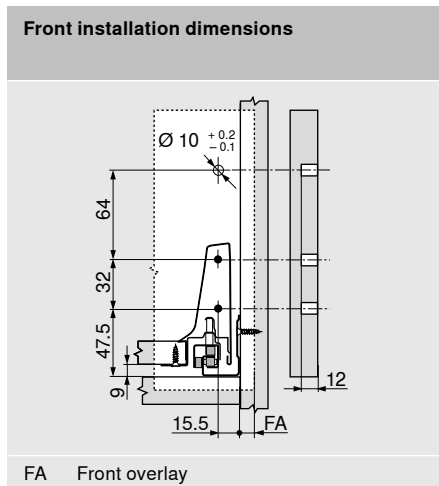
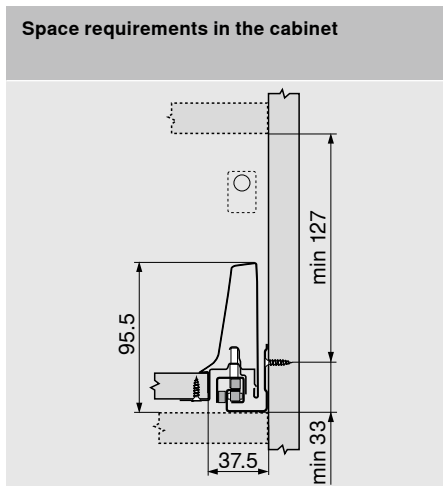
Base
NL - 22 mm

LW Internal cabinet width
NL Nominal length

Ordering information

Back fixing height B		SW	WGR
	Colour options	Steel	
		Z30B000S.04	

Planning

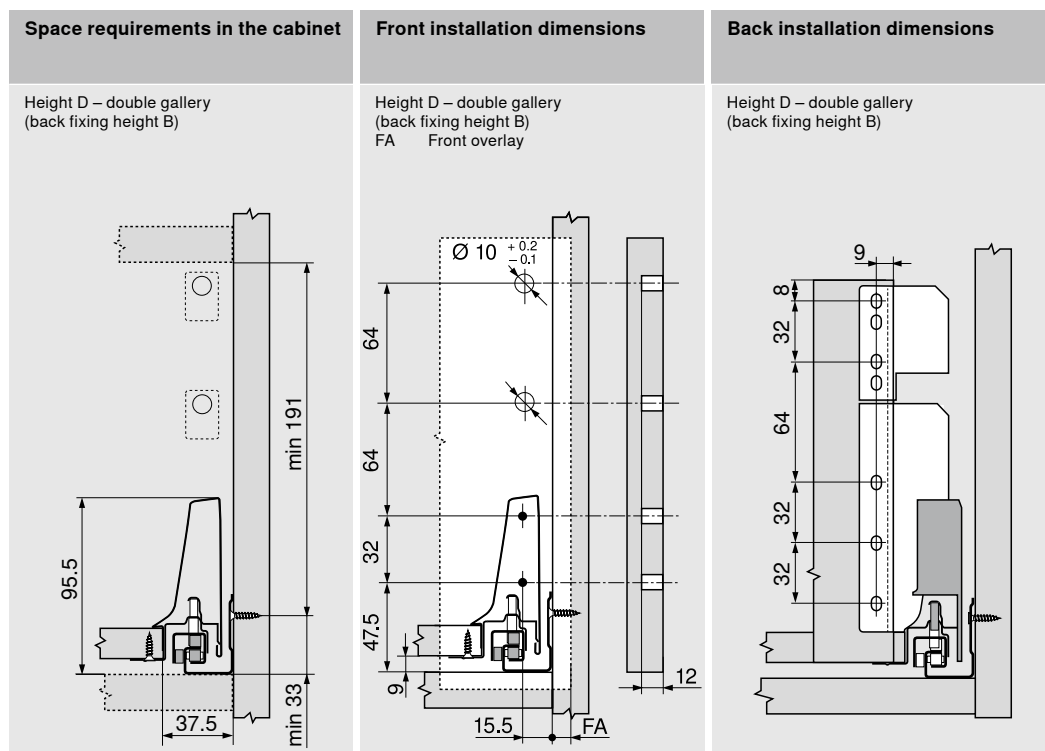
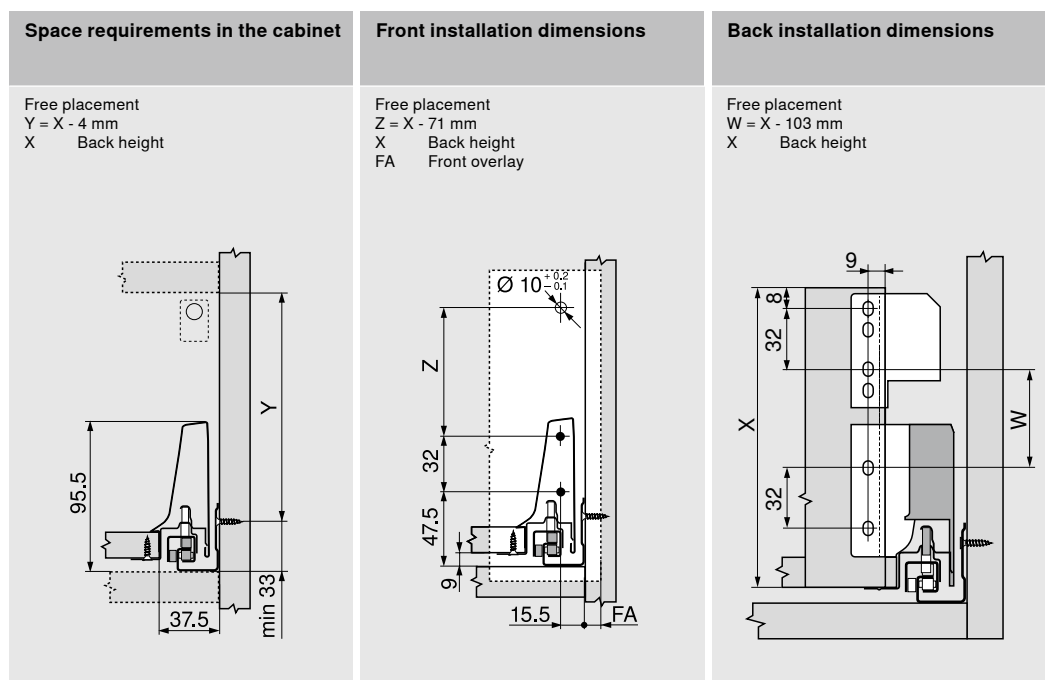


Flexible gallery fixing

Accessories – Flexible gallery fixing

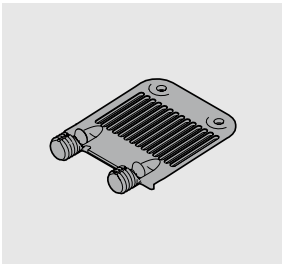
Flexible gallery fixing		
	Colour options	SW R9006
		Steel
ZRR.5200		

Planning



Front/base stabiliser

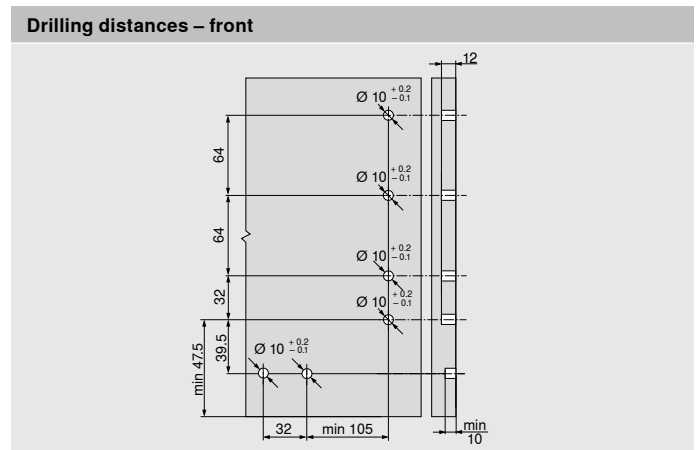
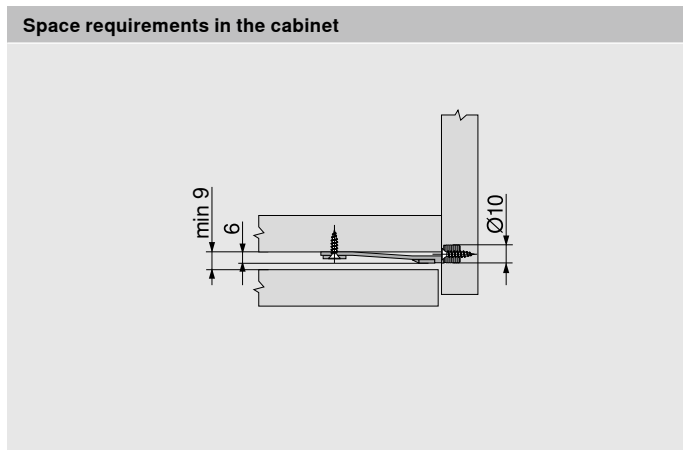
Front/base stabiliser



Ordering information	
Front/base stabiliser	
Fixing method	Colour
EXPANDO	R7037 dust grey
Z96.10E1	

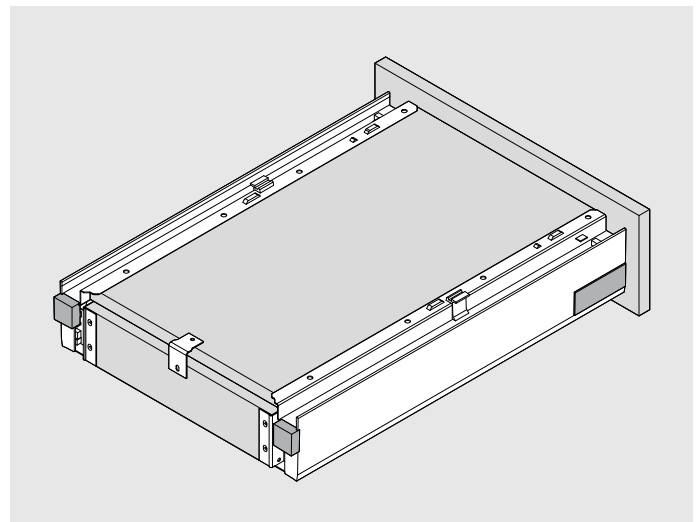
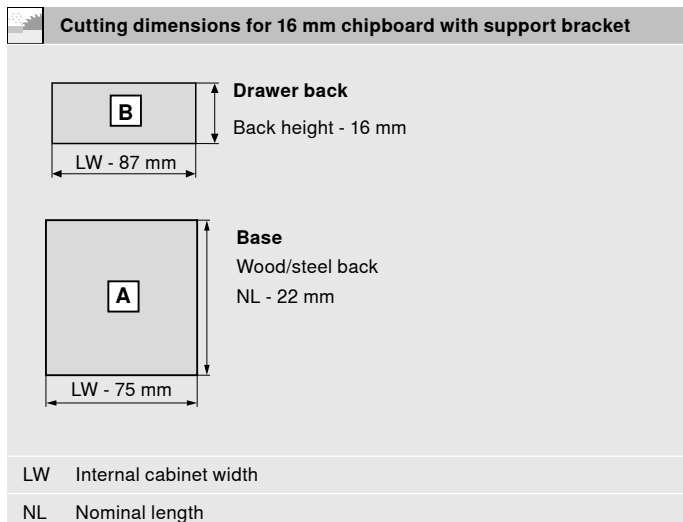
- For stabilising high fronts
- For supporting wide drawer bases
- Recommendation:
 - Front height FH < 300 mm: Cabinet width KB > 900 mm: 1 pc
 - Front height FH ≥ 300 mm: Cabinet width KB < 450 mm: 1 pc
 - Cabinet width KB ≥ 450 mm: 2 pcs
 - Cabinet width KB > 900 mm: 3 pcs

Planning



Support bracket

Support bracket	
	Steel
	28 mm
	Z30A0008
Used in combination with chipboard back. Same base cutting dimensions for chipboard and steel back.	





moving ideas

We believe that ideas can move the world. We offer innovative fittings, inspiring furniture concepts and appropriate services so that you can turn your creative ideas into reality. We are driven by your needs, international trends and our shared vision of a better quality of living. Let us work together to create moving ideas.



Quality of living

We would like you to enjoy greater convenience and functionality when using furniture.



Product range

Everything from a single source: our wide range of products allows you to keep up with today's and tomorrow's trends.



Inspiration

We monitor global trends and strive to create the solutions of tomorrow. We like to share our insights with you.



Innovation

We stay in motion. Curiosity and pioneering spirit drive us to develop new products and services for you.



Services

We support your daily operations with customised services tailored to your processes.



Quality

We continuously strive to improve our products, services and ourselves.



Trust

We take responsibility for partnerships, our employees, society and the environment.

Julius Blum started our journey in 1952 with horseshoe studs. Today we supply innovative fittings to customers in over 120 countries.

Julius Blum GmbH
6973 Höchst, Austria
Tel.: +43 5578 705-0
Fax: +43 5578 705-44
E-mail: info@blum.com
www.blum.com

Our sites in Austria, Poland and China are certified to the international standards mentioned below.
Our site in the USA is certified to ISO 9001.
Our site in Brazil is certified to ISO 9001, ISO 14001 and ISO 45001.



ISO 9001
Certified Quality
System



ISO 14001
Certified Environmental
System



ISO 50001
Certified Energy
System

 **blum**®



Look for our
FSC™-certified
products

All content is copyrighted by Blum.
Subject to technical modifications and changes to the range without notice.
IDNR: 505.368.0 · EP-639/1 EN-AL/07.24